

BEFORE YOU BEGIN

开始之前

- Congratulations on your purchase of this high quality Bathroom Accessory. Before proceeding with the installation, please carefully read this installation instruction in order to ensure proper care and assembly of this accessory.
- Please keep this installation instruction for future reference.

- 首先恭喜您购买到了高档的卫浴产品，为了使您正确保护和组装产品，在您安装之前请仔细阅读此说明书。
- 请保留此说明书以备参考。



Prior to drilling into walls, check there are no hidden electrical wires, cables or water supply pipes with the aid of an electronic detector. If you use power tools do not forget:

1. Wear eye protection.
2. Unplug equipment after use.



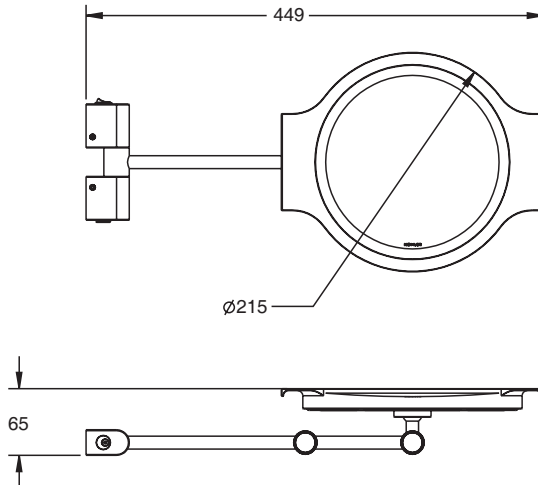
警示：在钻孔之前，请借助电子探测仪确认墙内是否有电源线，通讯光缆或者水管之类的东西。如果使用电钻的话请勿忘记以下两点：

1. 请戴上防护镜。
2. 用完设备后关掉电源。

ROUGHING-IN

尺寸图

UNIT : mm
单位：毫米



科勒(中国)投资有限公司
上海市闸北区江场三路158号 邮编：200436

INSTALLATION

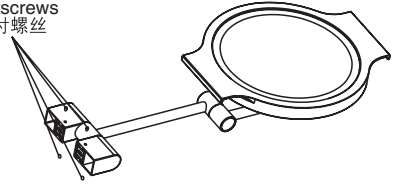
安装步骤

Caution: Keep the power supply of the product away from water.

注意：不能喷水到产品的电源上。

1. Unscrew the setscrews and take out the wall plate.
1. 退出止付螺丝，取出挂墙支架。

Setscrews
止付螺丝

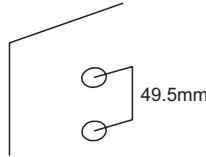


2. Mark two points at the desired place to install the mirror. The two marked points shall be at the same vertical line with the distance of 49.5mm.

2. 在希望安装的位置标记出两个点，两点在一条竖直线上，垂直距离49.5mm。

Caution: The installation points shall be within 1 meter from the socket.

注意：安装孔的位置不能距电源插座1米以外。



3. Drill 5mm holes at the points marked in step 2 with a 5mm drill. Apply silicon sealant to the drilled holes and insert the wall plugs.

3. 用5mm的钻头，在2中标记的点上钻5mm的孔，打硅胶到钻好的孔中，并塞入壁塞。

4. Fix the wall plate onto the wall with screws.

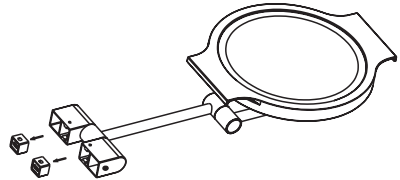


4. 用螺钉将挂墙支架紧固在墙上。



5. Fix the base of the mirror onto the wall plate with setscrews.

5. 用止付螺丝将镜子底座固定在挂墙支架上。



6. Insert the pins of the adapter into the power outlet at the bottom of the light base. Insert the adapter to the socket. Switch on and it is ready for use.

6. 将电源适配器的插针插入灯座底部的电源孔，并将电源适配器插在电源插座上，打开开关即可正常使用。

CARING FOR YOUR PRODUCTS

保养须知

The accessories should be washed with warm water and a soft cloth or sponge. Do not use abrasive cleaners or cleaners containing bleach.

为了更好地保养本品，请您用温水和软毛巾(或海绵)擦拭，含有腐蚀性或漂白剂的洗洁剂对本品有害。