

- 78014T-4** Dual Handle Wall-mount Bath Faucet-Lever Handles
- 78014T-8** Dual Handle Wall-mount Bath Faucet-Oyl Handles
- 78014T-9** Dual Handle Wall-mount Bath Faucet-Industrial Handles

### BEFORE YOU BEGIN

All information is based on the latest product information available at the time of publication. Kohler Co. reserves the right to make changes in product characteristics, packaging, or availability at any time without notice.

Please leave these instructions for the consumer. They contain important information.

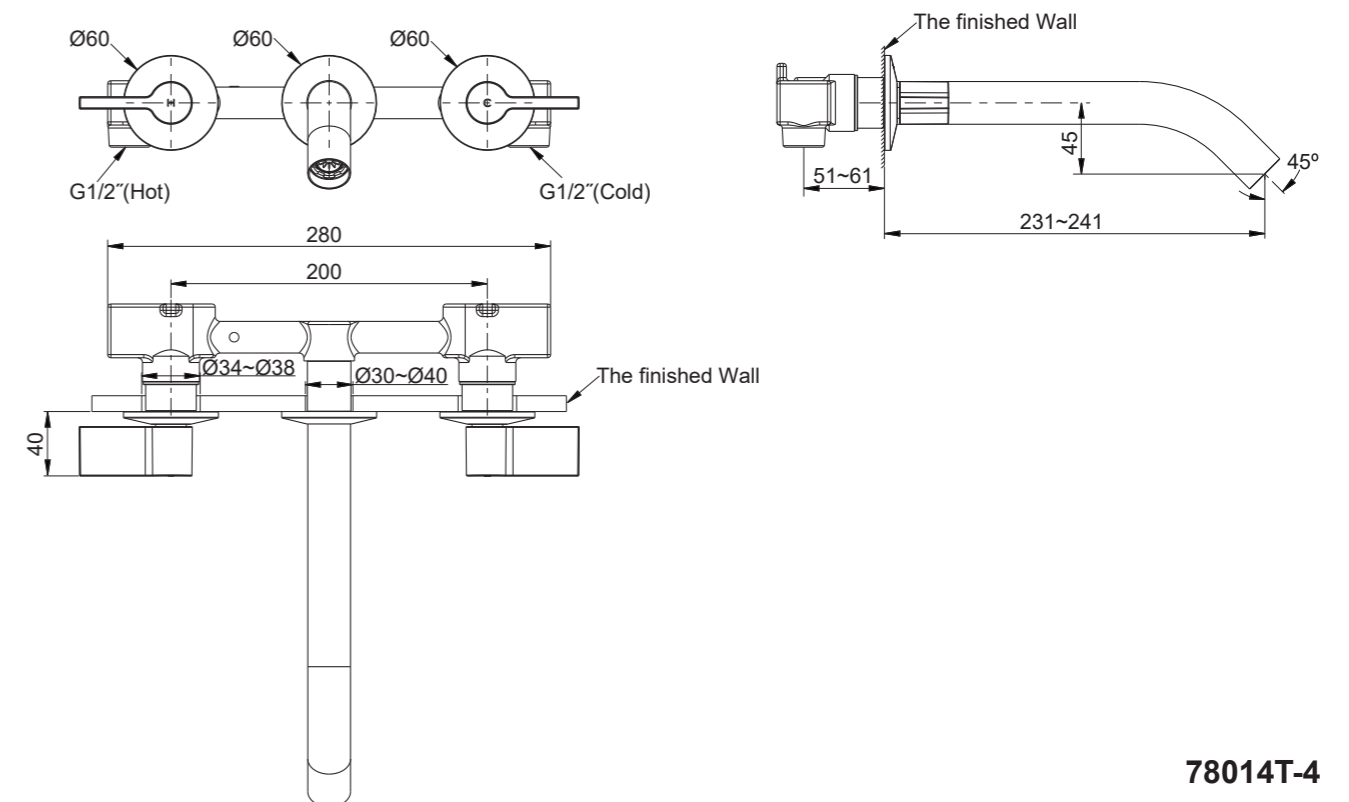
#### NOTES:

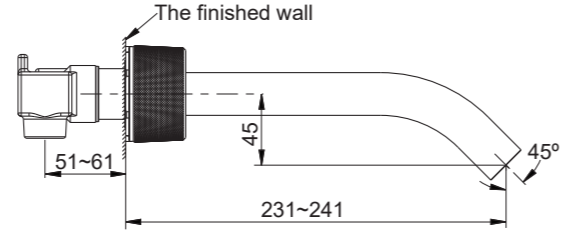
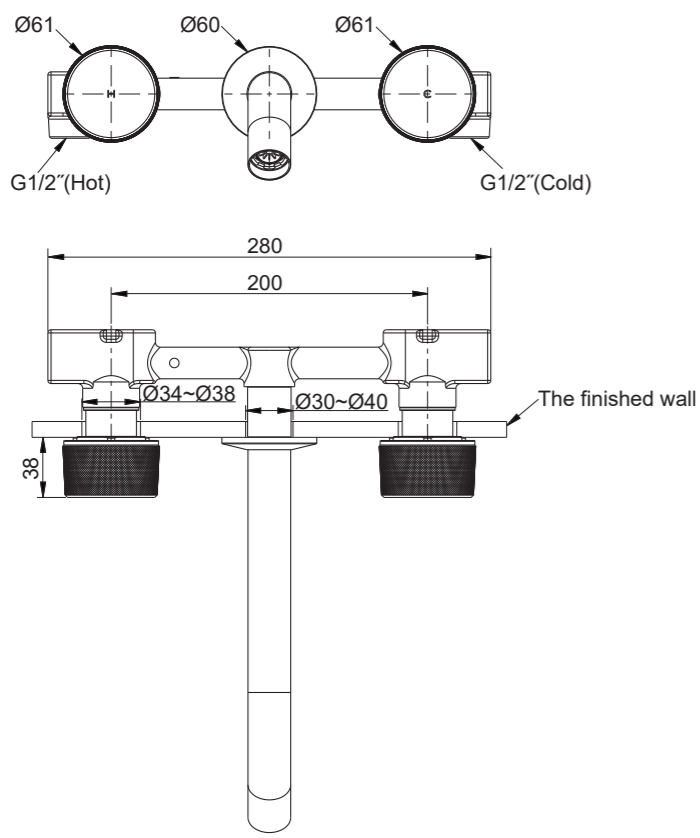
1. Flush the water supply pipes thoroughly to remove debris.
2. Inspect the supply tubing for damage and leakage. Replace and maintain as necessary.
3. Shut off the water supplies to the fitting.
4. Observe local plumbing codes.
5. Check for leaks before cover the pipes, repairs as needed.
6. Please ensure only apply water pressure test on the product, and empty the air in pipe and faucet thoroughly before the test. Please ensure test pressure below 0.8MPa(8bar) and test duration within 30 minutes.
7. Do not remove the plaster guard body until instructed to.

### STANDARD APPLICABLE

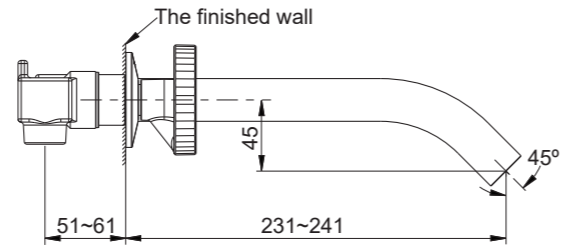
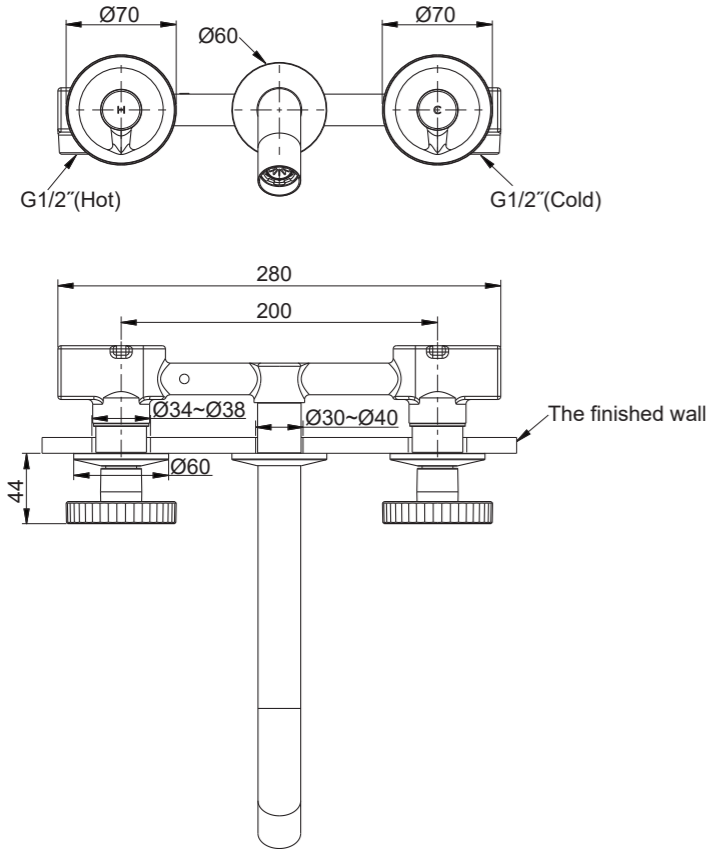
Special model meets or exceeds the following at date of manufacture: TIS

### ROUGH-IN DIMENSIONS





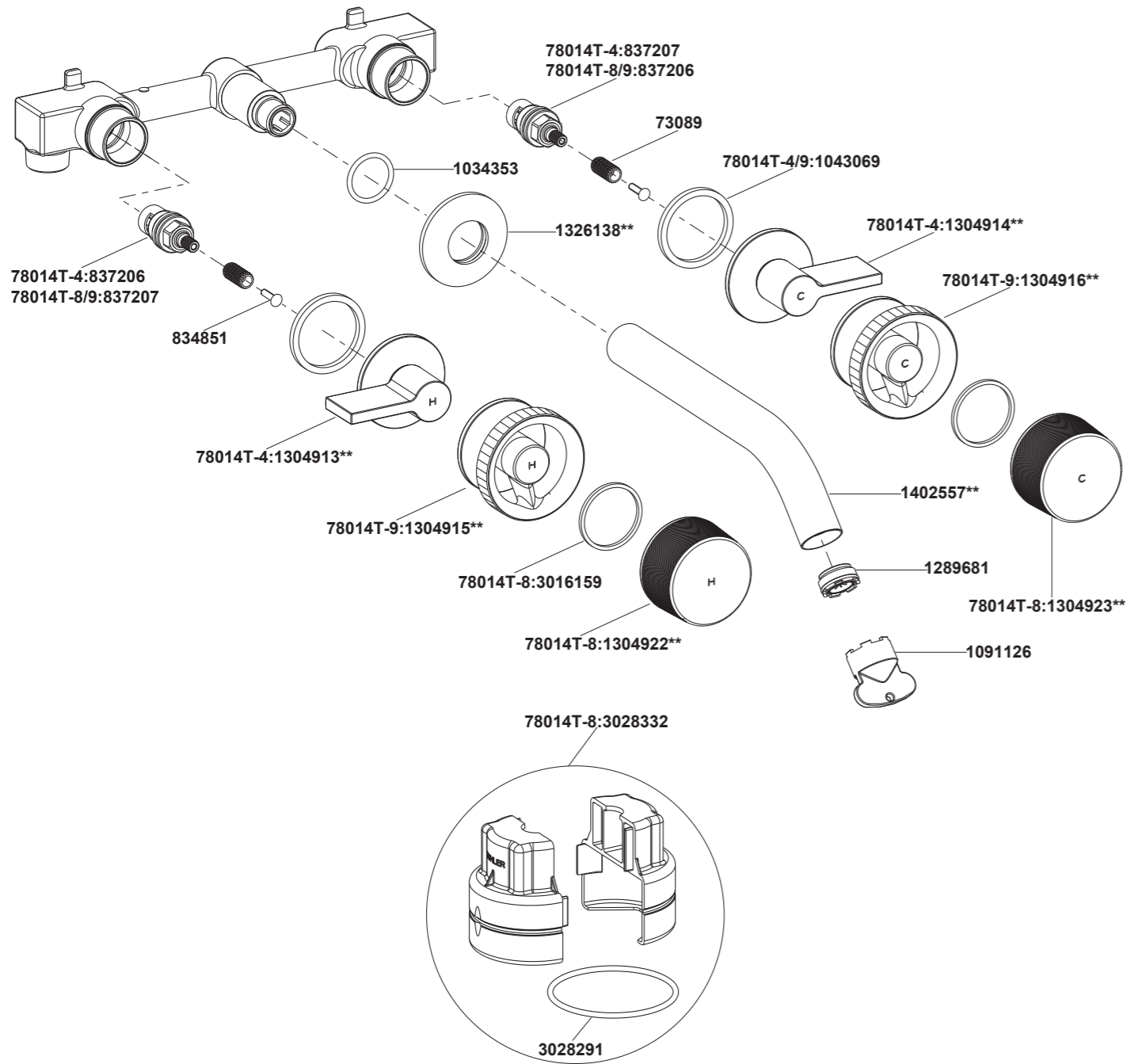
78014T-8



78014T-9

**COMPONENTS**

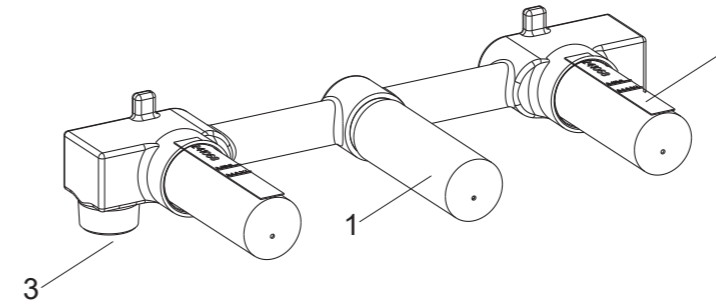
- 78014T-4 Dual Handle Wall-mount Bath Faucet-Lever Handles
- 78014T-8 Dual Handle Wall-mount Bath Faucet-Oyl Handles
- 78014T-9 Dual Handle Wall-mount Bath Faucet-Industrial Handles



\*\*Color code must be specified when ordering.

**NOTE:** For all Asia pacific regions (excluding China) add SP (SPxxxxxx\*\*) in front of the part number when ordering.

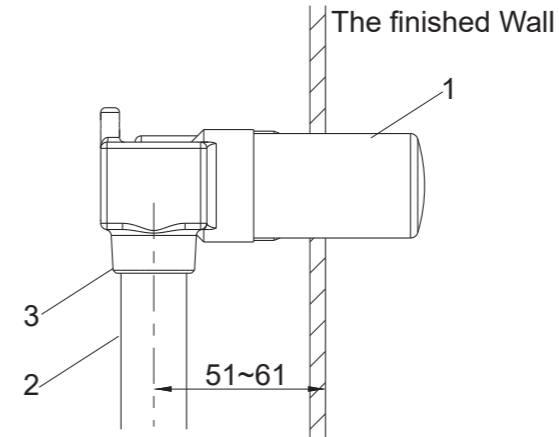
**INSTALLATION**



**How to Install the Yoke**

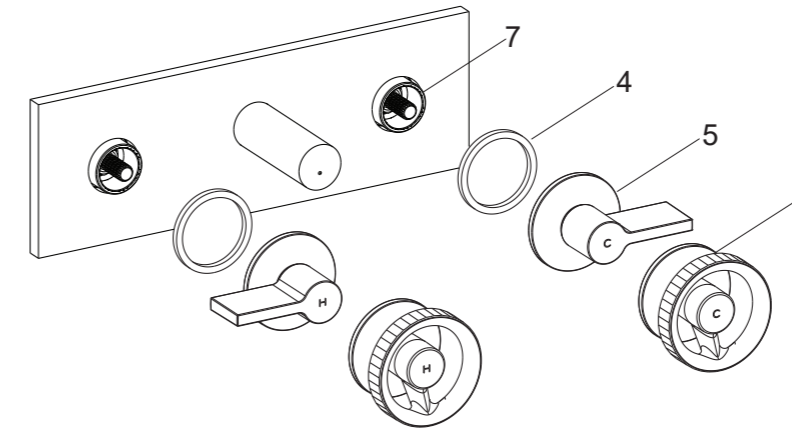
Do not take off guards(1) at this moment.

Connect the G1/2" water supply pipes(2) to the supply yoke(3).



The finished wall must be between the mark Max and Min on the guards. Make sure the left supply pipe is the hot supply and connected to the end with red mark.

①



**How to Install the Handles**

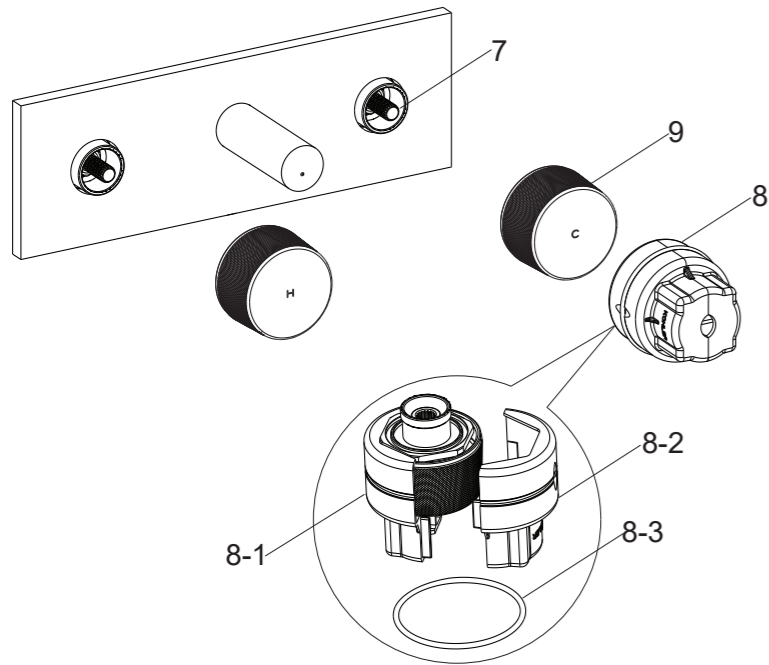
Remove and discard the handle guards after completed the finished wall.

**For 78014T-4 & 78014T-9**

Put the washers(4) into the groove of the handle kits(5, 6). Screw the handle kits onto the valves(7) until against the finished wall.

**NOTE:** The handle kit with "H" should be installed on the left. The valves should be closed before installed.

②



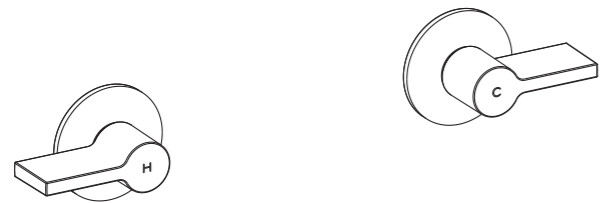
**For 78014T-8**

Screw the handle kits(9) onto the valves(7) until against the finished wall with handle wrench(8).

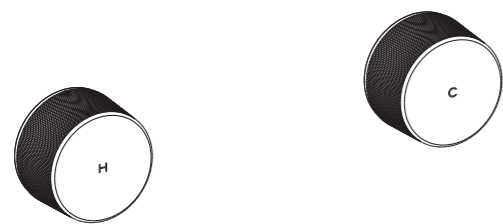
Uninstall the handle wrench. Remove the O-ring(8-3), separate it into two parts(8-1, 8-2) as shown.

**NOTE:** The handle kit with "H" should be installed on the left. The valves should be closed before installed.

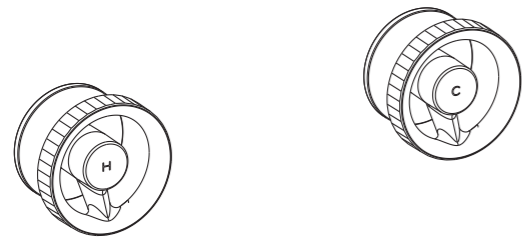
③



**78014T-4**



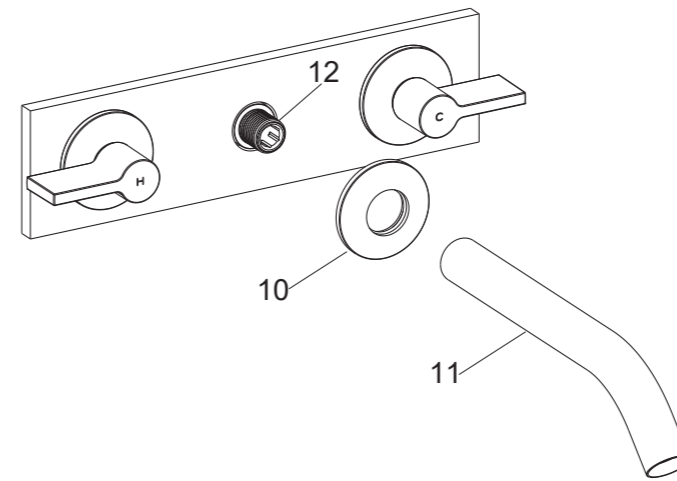
**78014T-8**



**78014T-9**

④

The figure shown is the correct position of the handles in the off position.



**How to Install the Spout**

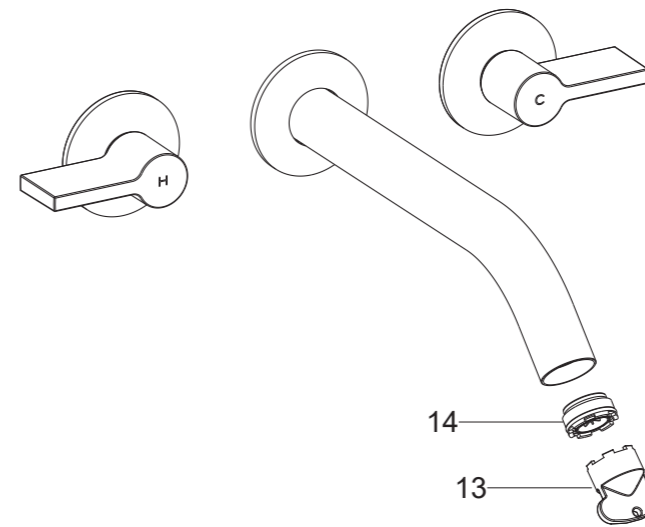
Remove and discard the spout guard after completed the finished wall.

Apply tape or sealant to the G1/2" nipple(12) threads.

Install the escutcheon(10) onto the spout(11). Thread the spout to the G1/2" nipple. Tighten by strap wrench. Adjust the spout downwards. Push the escutcheon against the finished wall.

⑤

**INSTALLATION CHECKOUT**



Ensure that all connections are tight. Ensure that the handles are in the off position.

Open the drain. Turn on main water supply and check for leaks. Repair as needed.

Remove the aerator(14) by key(13). Turn the faucet handles on and run hot and cold water through spout for about one minute to remove any debris.

Remove any debris from aerator. Shut faucet off and reinstall aerator.

**HANDLE OPERATION**

For 78014T-4, turn on the right handle clockwise for cold water, turn on the left handle counter-clockwise for hot water.

For 78014T-8 & 78014T-9, turn on the right handle counter-clockwise for cold water, turn on the left handle clockwise for hot water.

**CLEANING INSTRUCTIONS**

All Finishes: Clean the finish with mild soap and warm water. Wipe entire surface completely dry with clean soft cloth. Many cleaners may contain chemicals, such as ammonia, chlorine, toilet cleaner etc, which could adversely affect the finish and are not recommended for cleaning.

Do not use abrasive cleaners or solvents on Kohler faucets and fittings.