

### Features

- Vitreous china
- European bowl
- Wall-faced
- Includes quiet close seat or slim seat
- Wash down flushing system
- 185±5 mm rough-in for P-trap
- 580 x 373 x 435 mm

### Codes/Standards Applicable

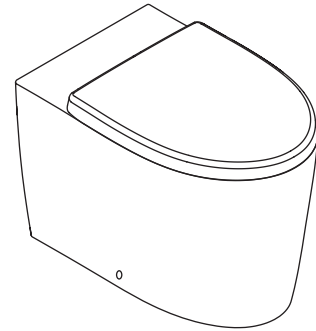
Specified model meets or exceeds the following:

- AS 1172
- BS:EN 997
- MS 1552
- SNI 03-0797
- TIS 792
- ASME 112.19.2/CSA B45
- GB 6952
- PNS 156
- SS 574

### WALL-FACED TOILET WITH SEAT

# K-22757K

ALSO K-22759K



### Technical Information

Fixture:	
Configuration	Wall-faced, european
Water per flush	2.6/4, 3/4.5 or 3/6 liter
Passageway	51 mm
Water area	127 x 102 mm
Water depth from rim	200 mm
Seat post hole centers	150 mm
*Designed to flush with 2.6/4, 3/4.5 or 3/6 lpf water when install with a 2.6/4, 3/4.5 or 3/6 lpf valve.	

Include Components:	
Bowl	K-22758K
Quiet close seat for K-22757K or slim seat for K-22759K	K-75200K K-22756K
P-trap Connector	1138552

### Installation Notes

Install this product according to the installation guide.

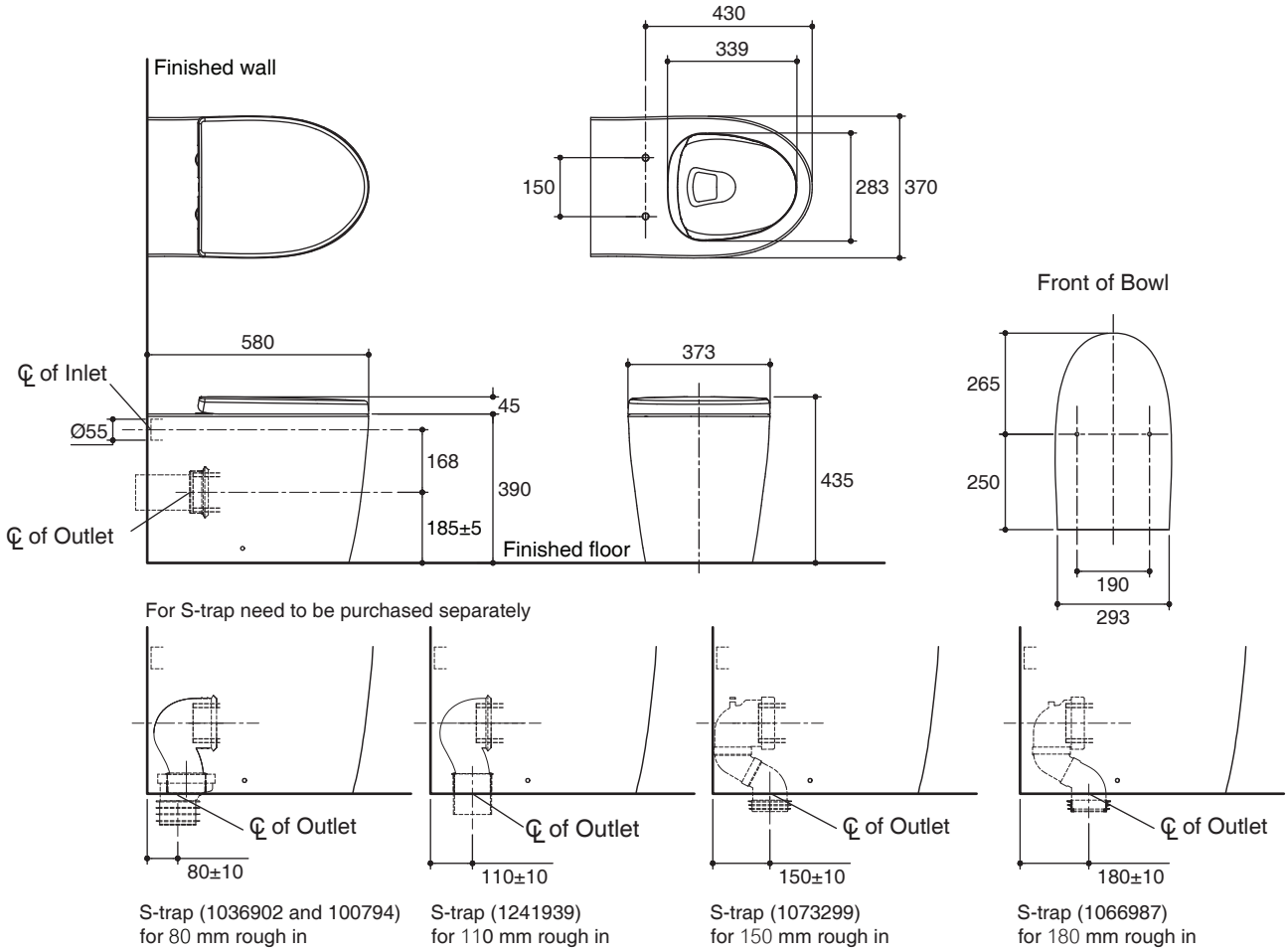
### Specified Model

Model	Description	Color/Finished
K-22757K	Parliament Grande wall-faced toilet, P-trap with quiet close seat	0: White
K-22759K	Parliament Grande wall-faced toilet, P-trap with slim seat	0: White

Optional Accessories		
K-6286T	In-wall tank with cover plate 3/6 lpf	NA: Not Applicable
K-10611A	In-wall tank with cover plate 3/4.5 lpf	NA: Not Applicable
K-78073K/T-PNE	Hydro-tower 200 without frame 2.6/4 lpf	NA: Not Applicable
K-78074K/T-PNE	Hydro-tower 200 without frame 3/4.5 lpf	NA: Not Applicable
K-78075K/T-PNE	Hydro-tower 200 without frame 3/6 lpf	NA: Not Applicable
K-78076K/T-PNE	Hydro-tower 300 without frame 2.6/4 lpf	NA: Not Applicable
K-78077K/T-PNE	Hydro-tower 300 without frame 3/4.5 lpf	NA: Not Applicable
K-78078K/T-PNE	Hydro-tower 300 without frame 3/6 lpf	NA: Not Applicable
1241939	S-trap connector	
1073299	S-trap connector	
1066987	S-trap connector	
1036902	S-trap connector	
100794	Offset connector	

# PARLIAMENT GRANDE

Dimensions are approximate.  
Unit: mm



Note: The recommended dimension for installation can be adjusted according to user preferences and layout.

## Product Diagram