

KOHLER®

K-80233KR ALEO 利奥

580mm SGL SR/UC SINK 580mm台上/台下双用单槽厨盆 CUT-OUT TEMPLATE / INSTALLATION INSTRUCTIONS 切割图/安装说明书

BEFORE YOU BEGIN

- WARNING: Risk of personal injury. Metal surfaces are sharp and can cause severe cuts. Use gloves and handle sink edges carefully.**
- Observe all local plumbing and building codes.
 - Shut off the hot and cold water supplies.
 - Prior to installation, unpack the new sink and inspect it for damage. Return the sink to its protective carton until you are ready to install it.
 - Inspect the drain and supply tubing. Replace if necessary.
 - All information in these instructions is based on the latest product information available at the time of publication. Kohler china. reserves the right to make changes at any time without notice.
 - This product complies with Q/KLCW 1-2014.

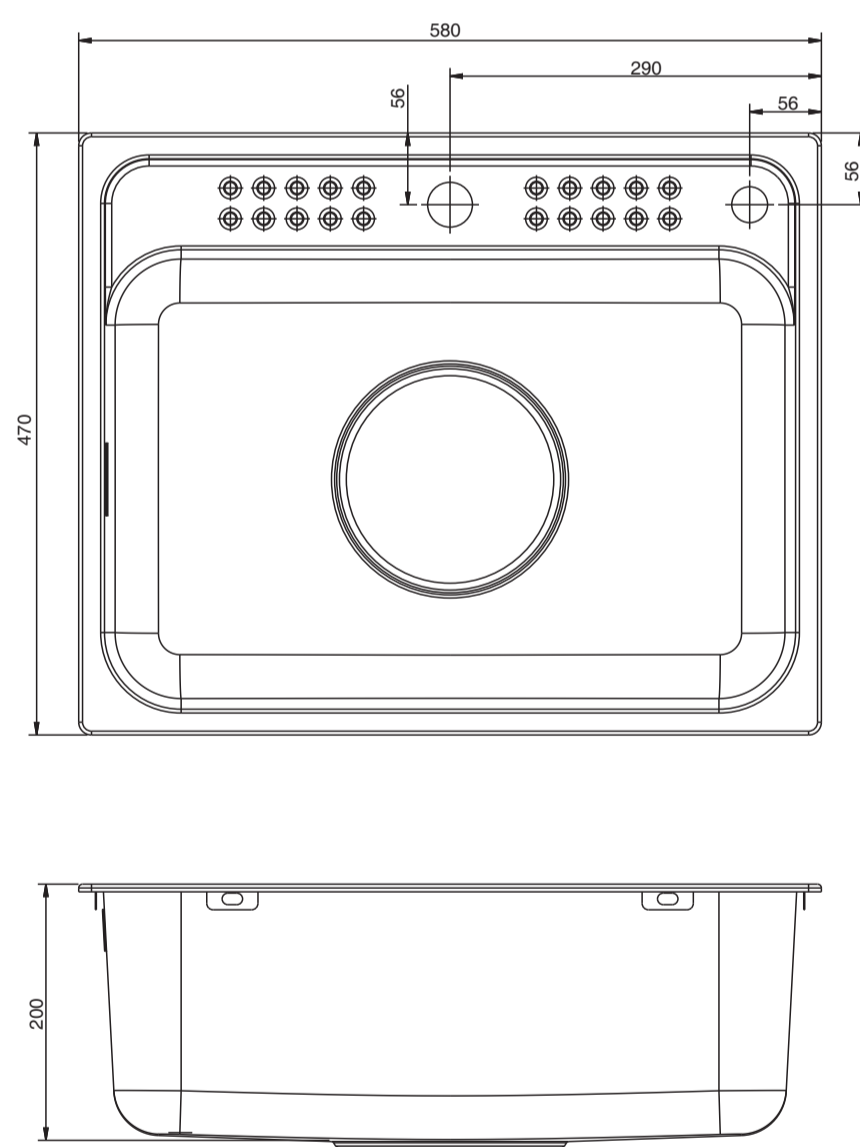
RECOMMENDED TOOLS AND MATERIALS

- Safety Glasses
- Measuring Tape
- Pencil
- Drill
- Putty Knife
- Silicone Sealant
- Pipe Wrench
- Plumbers Putty

- Plus:**
- Level
 - Cross Screwdriver
 - Keyhole/Jigsaw
 - Gloves

ROUGHING-IN

Reference Value
参考值



Kohler reserves the right to change marked dimensions without prior notice.
科勒公司保留随时变更图中标示尺寸的权利, 无需另行通知。

安装之前

警告: 小心人身伤害。金属表面非常锋利, 可能导致严重的划伤, 请使用手套, 并小心接触水槽边缘。

- 遵循当地所有的管道和建筑规范。
- 关闭冷水供应。
- 在安装之前, 请打开新水槽的包装, 检查产品是否有损坏。将水槽放回其保护性的纸箱包装, 直到您准备安装。
- 检查供水和排水管道。如果需要, 请更换管道。
- 此手册中的所有资料按照出版时的最新产品资料编写。科勒公司保留在任何时候不需通知便可进行更改的权利。

- 本产品符合Q/KLCW 1-2014。

推荐使用的工具和材料

- 安全眼镜
- 测量尺
- 铅笔
- 钻孔机
- 灰泥刀
- 硅胶
- 管道扳手
- 管道用灰泥

- 其它:**
- 水平尺
 - 十字螺丝刀
 - 锁眼锯或剑齿锯
 - 手套

尺寸图

Unit: mm
单位: 毫米

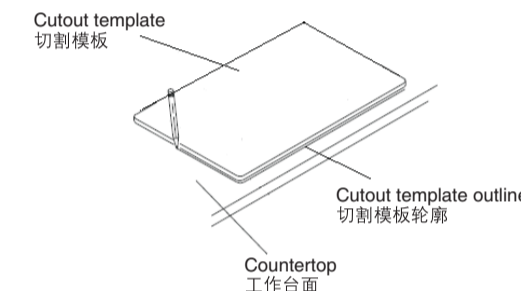
INSTALL THE NEW SINK

1. Preparation

WARNING: Risk of personal injury. Metal surfaces are sharp and can cause severe cuts. Use gloves and handle sink edges carefully.

For new installations:

- Cut along the line dedicated to the installation type as you desire.
- Carefully place the cutout template on the countertop in the desired position.
- Make sure the sink will not interfere with the cabinet.
- Trace the cutout template outline onto the countertop.
- Drill a pilot hole inside the cutting line. Using a jig or keyhole saw, cut along the outline to cut out the opening in the Countertop.



Trace the outline of the cutout template on the countertop with a pencil at the desired installation location. 用铅笔在厨房工作台面上您希望安装水槽的位置画下切割模板的轮廓。

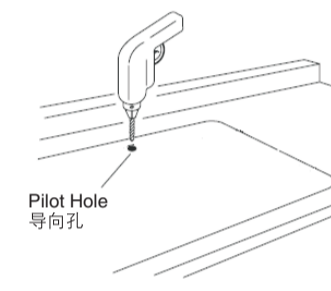
安装新水槽

1. 准备安装

警告: 小心人身伤害。金属表面非常锋利, 可能导致严重的划伤, 请使用手套, 并小心接触水槽边缘。

对于新安装:

- 请沿着您期望安装方式剪切割模板。
- 细心地将切割模板放在厨房工作台面上您希望安装水槽的位置。
- 确保水槽不会和橱柜互相干扰。
- 请在工作台面上画下切割模板的轮廓。
- 在切割线内部钻一个导向孔。使用剑齿锯或锁眼锯, 沿着轮廓线进行切割, 在工作台面上切割出水槽安装孔。



Cut along the outline to cut out the opening in the countertop 沿着画出的轮廓线切出水槽安装孔。

For existing installations:

- Carefully lift the old sink out of the countertop.
- Compare the existing cut-out to the required cut-out size.
- If needed, enlarge the cut-out hole according to the directions for new installations.

2. Install the Faucet Fitting and Drain

- Install the faucet overflow pipe and strainer according to the manufacturer's instructions.

NOTE: If you are reusing fittings from an old sink, use plumbers putty under the faucet base and top flange of the strainer.

对现有水槽更换, 进行新水槽安装:

- 细心地将旧水槽取出厨房工作台面。
- 比较现有的切割出来的水槽安装面积的大小和新水槽所要求的面积大小。
- 如果需要, 根据安装指南扩大切割孔。

2. 安装龙头和排水装置

- 根据生产商的指示安装龙头溢水管和下水器。

注意: 如果您采用旧水槽的有关装置, 在龙头底部基础部位和下水器的顶部法兰处使用管道密封胶。

WHEN PLOTTING TEMPLATE FULL SIZE:
Make sure horizontal and vertical dimensions match the dimensions labeled on the template.

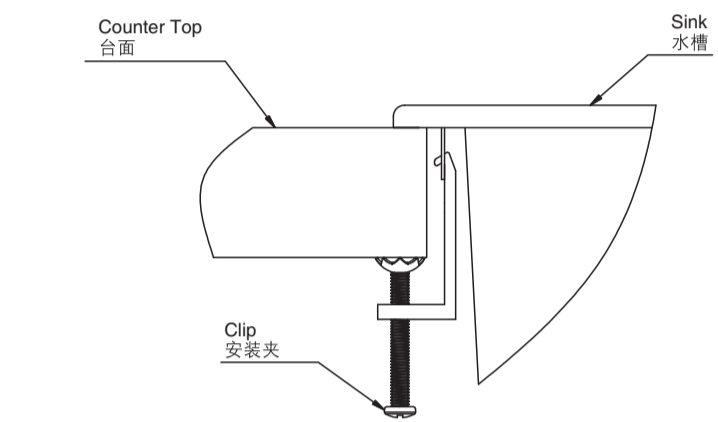
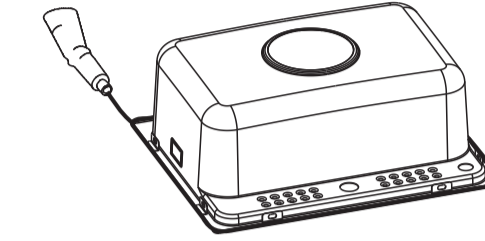
当在台面上比一比描绘切割线时, 务必确保模板的水平和垂直尺寸与模板上标注的一致。

3. Install the Sink

A. Self-rimming Installation

- Paste sealing tape along the back rim of the sink.
- Fix the overflow pipe onto the sink.
- Apply a bead of quality sealant on the sealing tape to maximize sealing effect.
- Position the sink onto the cut-out area.
- Install the clips into hole of the hook.

NOTE: The clips may need to be repositioned to compensate for an uneven countertop.



- Tighten the screws to lower the sink rim down onto the countertop. Do not overtighten.
- Use a dry cloth to wipe away any excess sealant.
- Verify that there are no gaps.
- Allow the sealant to cure for at least 30 minutes.

B. Undercounter installation

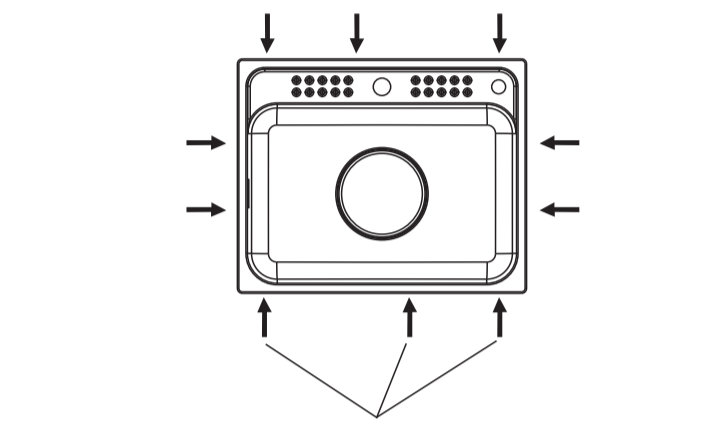
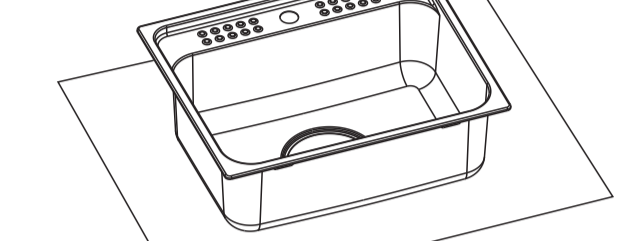
- Apply a bead of silicone sealant or rubber sealant around the inner rim of the sink.
- Reverse the countertop and fix the sink to the countertop bottom with clips or other fastener.

3. 安装水槽

A. 台上安装

- 水槽边缘背面贴上密封胶。
- 将溢水管部分固定于水槽上。
- 之后于密封胶上再涂上一层优质密封胶, 以加强密封防水效果。
- 将水槽置入切割区域。
- 将夹子按图示挂在水槽背面的安装孔上。

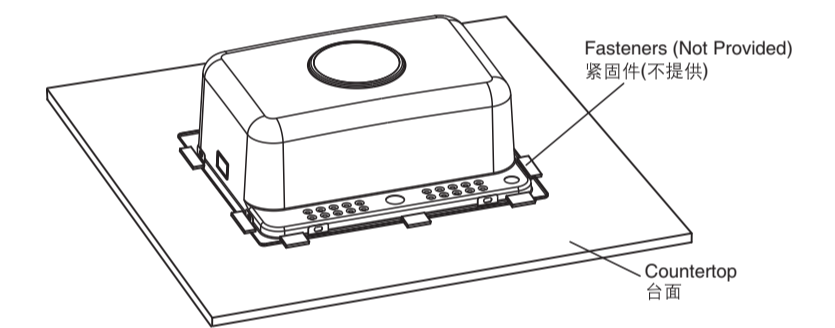
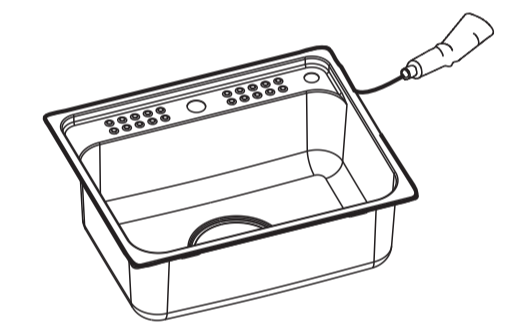
注意: 对于不平坦的厨房工作台面, 可能需要重新确定夹子的位置, 以弥补台面的不平。



- 拧紧螺丝, 将水槽边缘向橱柜台面拉近, 请不要拧得太过紧。
- 用一块干布, 擦掉任何多余的密封胶。
- 确认没有任何缝隙。
- 让密封胶凝固至少三十分钟时间。

B. 台下安装

- 沿水槽边缘靠近内缘处涂抹硅胶或橡胶密封胶。
- 将台面倒置, 使用安装夹或其它固定件将水槽固定于台面底部。



- Use a dry cloth to wipe away any excess sealant.
- Verify that there are no gaps.
- Allow the sealant to cure for at least 30 minutes.
- Reverse the countertop back and fix into the cabinet.

4. Connect Water Supply and Test

- Install the garbage disposal, if used, according to the manufacturer's instructions.
- Connect and tighten the trap to the strainer, and complete the water supply connections to the faucet according to the instructions packed with the faucet.
- Run water into the sink and check for leaks.

CARE AND CLEANING

Stainless Steel

Rinse your stainless steel sink thoroughly after each use, and use a dabbing action to dry with a clean, soft cloth. Clean stainless steel once a week.

Always apply stainless steel cleaner/polish with a nonabrasive cloth or sponge, working with, not across the grain. Do not use steel wool, wire brushes or abrasive pads to clean your sink.

If you use cleaners containing chlorides, be sure to rinse the surface immediately after you clean it to avoid corrosion. Do not allow cleaners to remain in contact with the sink surface for long periods of time.

Kohler kitchen sink accessories, including bottom basin racks, wire rinse baskets, cutting boards and colanders will help protect the surface of your sink.

If the surface becomes excessively dirty, consider using baking soda, or a general purpose cleaner.

4. 连接供水及测试

- 如果使用垃圾处理器的话, 根据生产商指示, 安装垃圾处理器的。
- 连接并拧紧下水器和下水管, 根据龙头所附的指示完成通往龙头的供水连接。

- 将水注入水槽, 检查是否漏水。

保养和清洁指南

不锈钢

每次使用后, 请彻底冲洗您的不锈钢水槽, 并使用清洁的软布将其擦干。对于不锈钢用品, 请每周清洗一次。

请使用非磨性的布或海绵, 并用不锈钢专用清洁剂/光亮剂进行清洗, 而不要使用带颗粒的清洁剂。请不要使用钢丝球、钢丝刷或者磨性的抹布清洁不锈钢水槽。

如果您使用了含有氯化物的清洁剂, 在您清洁水槽之后, 请立即对水槽表面进行冲洗, 以防止腐蚀。不要让清洁剂在您的水槽表面停留过长时间。

科勒厨房水槽附件, 包括底部盆架、金属冲洗篮、砧板和沥水篮均有助于保护您的水槽表面。

如果水槽表面很脏, 使用碳酸氢钠, 或普通的清洁剂进行清洗。

RIM OF SINK
水槽边缘

FOR SELF-RIMMING INSTALLATION
CUT ALONG THIS LINE
专用于台上安装
沿此线切割

FOR UNDERCOUNTER INSTALLATION
CUT ALONG THIS LINE
专用于台下安装
沿此线切割

1324916-T01-A

© Copyright Kohler China Investment Co., Ltd. 2017
© 版权为科勒(中国)投资有限公司所有 2017

ZHUHAI KOHLER KITCHEN & BATHROOM PRODUCTS CO., LTD NO.15, XIN QING
LIU ROAD, JING AN TOWN, DOU MEN DISTRICT, ZHUHAI, PRC POST CODE: 519180
珠海科勒厨卫产品有限公司 珠海市斗门区井岸镇新青六路15号 邮编: 519180