



### BEFORE YOU BEGIN


- Please read these instructions carefully to familiarize yourself with the required tools, materials, and installation sequences. Follow the sections that pertain to your particular installation. This will help you avoid costly mistakes. In addition to proper installation, read all operating and safety instructions.
- All information in these instructions is based upon the latest product information available at the time of publication. Kohler China reserves the right to make changes in product characteristics, packaging, or availability at any time without notice.
- These instructions contain important care, cleaning, and warranty information-**please leave instructions for the consumer.**
- Before installation carefully inspect the new fixture for any signs of damage.


 **WARNING: Risk of injury or product damage.**  
Tempered glass cannot be cut.

 **WARNING:** Don't use acidic or alkalic cleaners or alcohol to clean the wooden surface. Use a dampened cloth to clean.

### 安装之前

- 请仔细阅读本指引，以便熟悉所需工具、物料及安装程序。请遵照适用的章节来安装本产品，以免安装失当导致不必要的损失。除了有关正确的安装方法之外，还务请详细阅读所有操作及安全指引。
- 本指引所载之一切资料，均以印刷时所有之最新产品情况为基础，科勒中国保留权利随时更改产品特性、包装或供应情况，恕不另行通知。
- 本指引也包含了有关保养、清洁及担保等重要资料-请交予用户保存。
- 安装之前，仔细检查产品是否有损伤。

 **警告：**可能有人员伤害或者产品损坏的危险。钢化玻璃不能进行切割。

 **警告：**木质表面不能用含酸或碱性的清洁剂以及酒精清洁，请用潮布清洁。

### PARTS

Parts supplied with your cabinet. (For cabinet body and door replacement, call customer service with model number.) Be sure to check the cardboard supports in the carton, glass parts are packed in them.

### 配件

浴柜附有零件（柜身及门的补换请致电客服部门并告知型号），请仔细检查包装箱。

# ACCESSORIES LIST

# 附件清单

## Mirrored Cabinet 镜柜



Side Mirrors  
侧镜  
X2



Wall Anchors  
入墙胶粒  
X4



Side Kits Brackets  
侧镜支架  
X4



Screws GB/T818-2000 S/S M4 x 12  
螺钉M4 x 12  
X8



Snap-in Pins  
嵌入式层板架  
X8



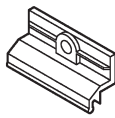
Screws ST3.5 x 35  
盘头自攻螺钉ST3.5 x 35  
X4



Half Sink-Screw S/S M3.5X10  
半沉头螺钉M3.5X10  
X4



Caps of Screw  
螺钉盖  
X4



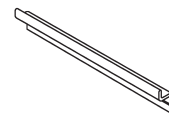
Top Clips  
顶扣  
X2



Hole Plugs  
孔塞  
X40



Foam Tape  
双面胶  
X8



431mm Mounting Bar  
431毫米承托条  
X1

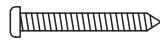


Glass Shelves  
玻璃层板  
X3

## Mirror 挂镜



Wall Anchors  
入墙胶粒  
X4

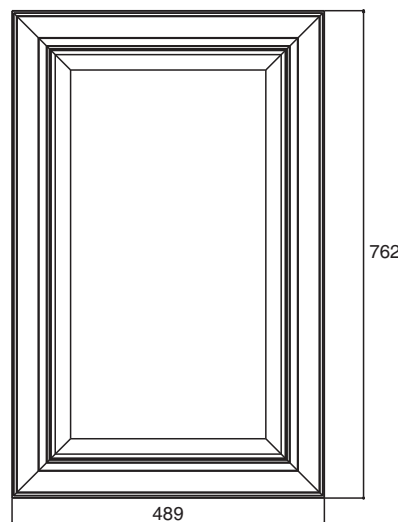
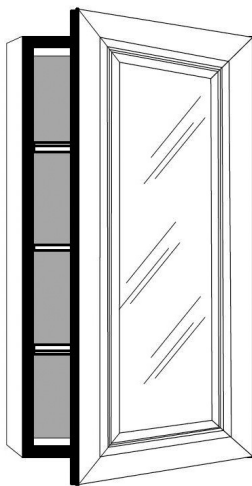


Screws ST3.5 x 35  
盘头自攻螺钉ST3.5 x 35  
X4

# ROUGHING-IN

# 尺寸图

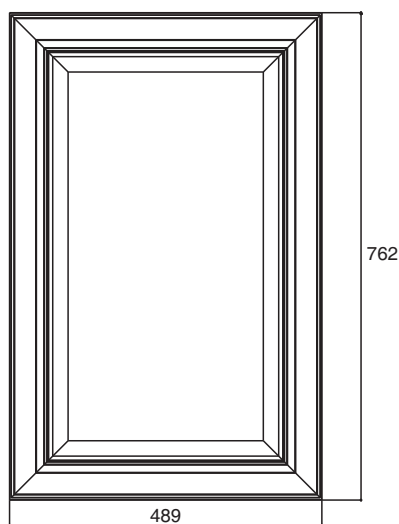
## Mirrored Cabinet 镜柜



UNIT : mm  
单位: 毫米

K-13073T

## Mirror 挂镜



K-13079T

## INSTALLATION

## 安装

### NOTE

The cabinet has two ways of installation:

- Recessing mounting.
- Surface mounting.

Refer to the following instruction for mirror installation.

### 注意

镜柜的安装方式有如下两种:

- 嵌入式安装。
- 挂墙式安装。

挂镜的安装详情见后续说明。

## RECESSING THE MIRRORED CABINET INTO THE WALL

## 嵌入式镜柜的安装

The Vertical installation changes the width of the roughout. Please refer to the picture below.

安装需不同的墙壁孔架宽度。请参阅下图。

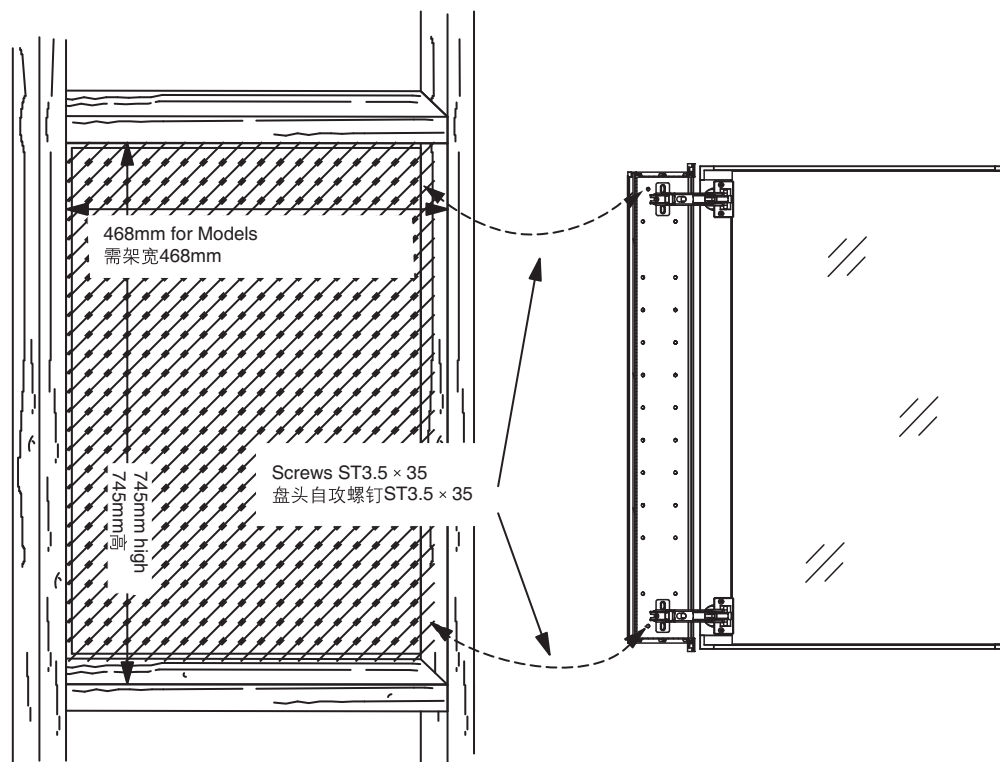


Fig. 1 图1

STEP  
1

Install screws through holes in mirrored cabinet as shown in Fig.1, 2  
按图1, 2所示将螺钉装入镜柜的螺钉孔中。

**Note: DO NOT OVER- TIGHTEN!**

Use screws ST3.5 × 35.

注意：不可拧得太过，以免滑牙！  
使用螺钉ST3.5 × 35。

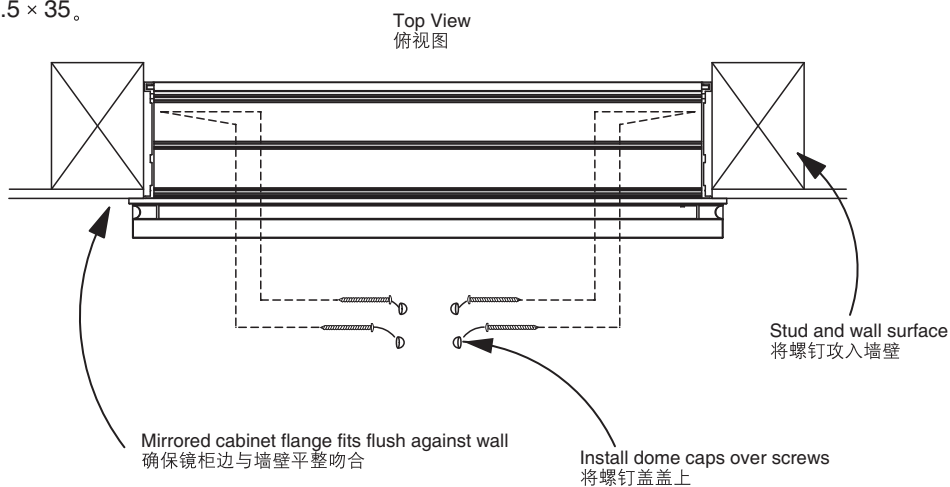


Fig. 2 图2

**STEP**  
**2**

## SURFACE MOUNTING THE MIRRORED CABINET ON A WALL

## 挂墙式镜柜的安装

### NOTE:

Installing the mirrored cabinet on a wall without the door attached can make installing easier for one person. Do not mount the doors until the boxes is in or on the wall.

### 注意：

一人安装时将门卸下来安装柜体会比较容易些。装好柜体后再将门装上。

As shown in Fig 3, drill two 2-  $\phi$  5mm holes in bottom mounting bar at indent location, then drill 4-  $\phi$  6mm holes in wall at locations shown in Fig 3, insert wall anchors.

如图3所示，在承托条凹凸处打两个  $\phi$  5毫米的孔，然后按图示位置在墙上打4个  $\phi$  6毫米的孔，放入入墙胶粒。

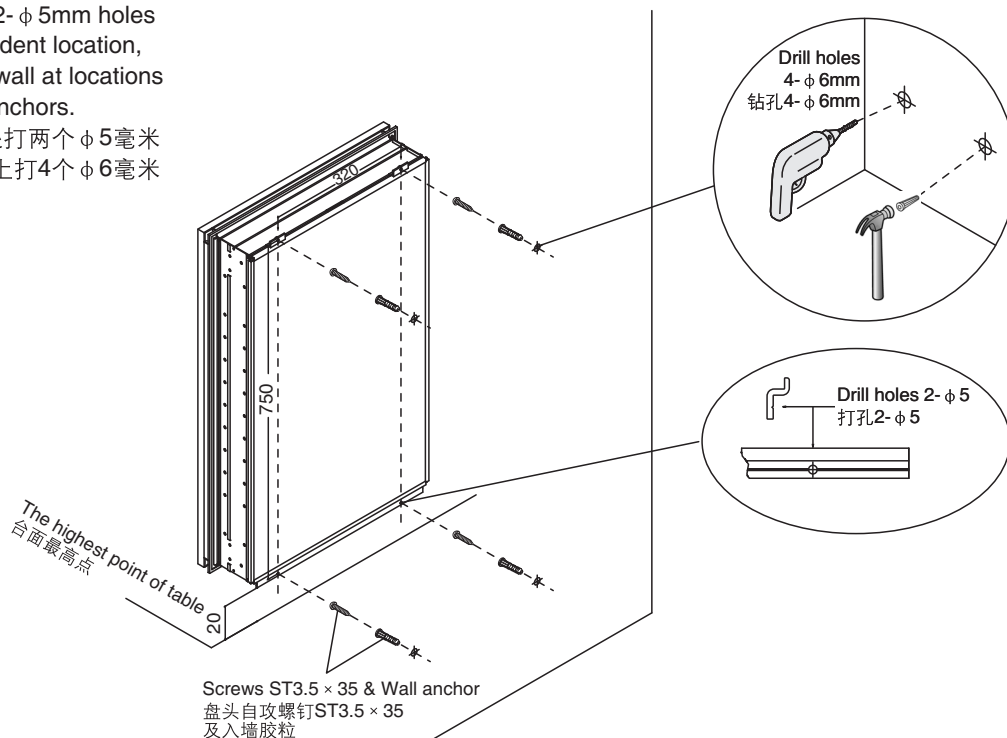


Fig. 3 图3

**STEP**  
**1**

Sit the mirrored cabinet on the mounting bar, then lower and tighten the screws into place, as shown in Fig.4.

如图4所示，将镜柜放于承托条上，用螺钉将两粒顶扣固定，并旋紧螺钉。

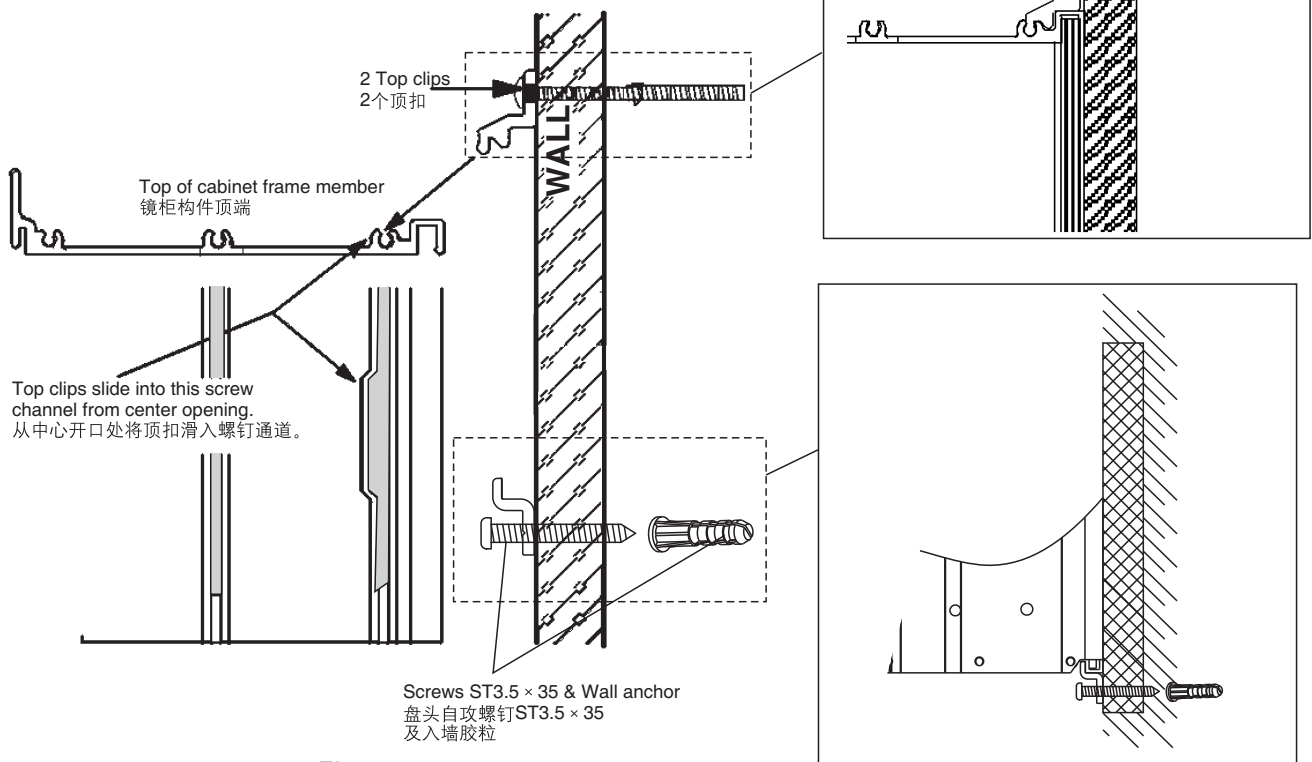


Fig. 4 图4

**STEP**  
**2**

**Apply foam tape to side kit bracket**

侧镜支架贴双面胶

- Peel tape from sheet, leave liner on.  
撕下双面胶，保留面纸。
- Apply as shown to side kit brackets, be sure they are clean and dry.  
按图示贴于侧镜支架上，贴之前确保支架是干燥清洁的。
- **DO NOT PEEL RELEASE LINER UNTIL YOU HAVE TEST FIT THE SIDE KITS ON THE MIRRORED CABINET!**  
在确定侧镜与镜柜吻合之前请不要撕开棉纸！

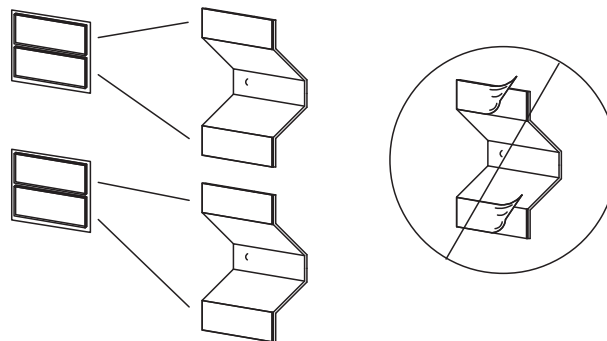


Fig. 5 图5

**STEP**  
**3**

- Attach the side kit brackets to the cabinet as shown in Fig.6.

安装侧镜支架，如图6。

- Test fit the side kits, then clean the back of the side kits with rubbing alcohol.
- Peel the release tape from the brackets and apply the side kits, push firmly to set.
- Cover the screw heads with the screw caps.

试装一下是否吻合，再用酒精将侧镜背面擦干净。

撕开支架上的双面胶面纸，贴上侧镜并按紧。

用螺钉头盖盖上螺钉头。

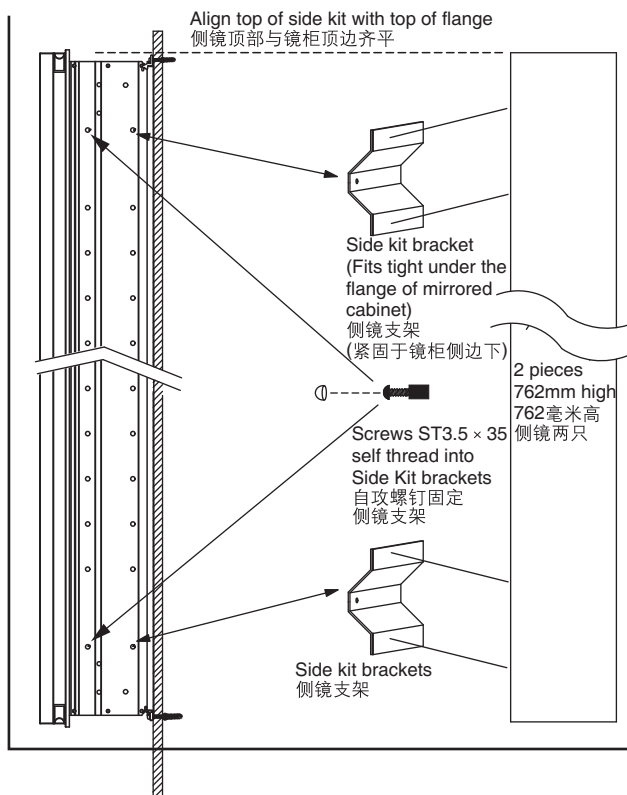


Fig. 6 图6

STEP  
4

## Door adjustments

门的调整

- This screw releases the door from the cabinet and allows up and down adjustment. Fig.7-A & 8.
- These screws allow you to plumb the door as shown in Fig.7-B & 9.
- The screws you use for attaching the hinges. (Supplied with hinges)

此螺钉松开可将门卸下，并可作上下的位置调整，如图7-A、8所示。

这些螺钉松开可将门作如图7-B、9所示的前后的位置调整。

安装门铰所用的螺钉。(随门铰附送)

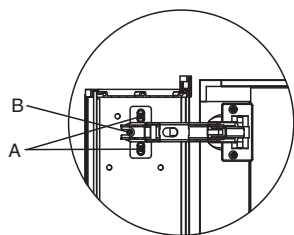


Fig. 7 图7

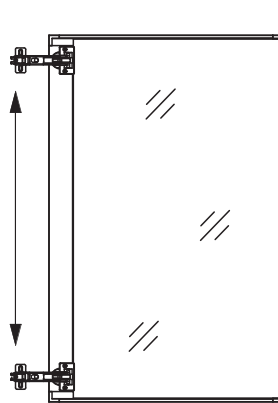


Fig. 8 图8

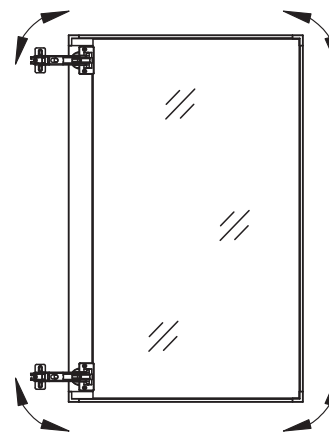


Fig. 9 图9

STEP  
5

**Push/twist the pins into place & Fill the remaining holes with the plugs**

装层板支架&用孔塞塞好其他多余的孔位

- Push one side of the shelf into the left or right clips.  
将层板玻璃任一端放于架子上。
- Snap the shelf down into the opposite side. If the shelf is too tight, repeat the process from the other side.  
将玻璃层板的另一端压下。如玻璃层板太紧，改从另一端开始再来一次。

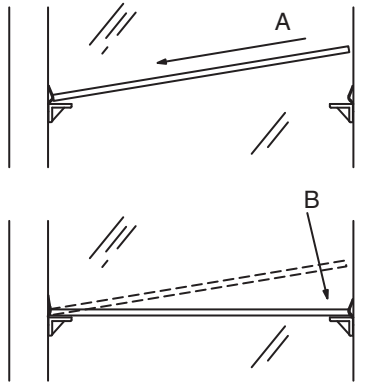


Fig. 10 图10

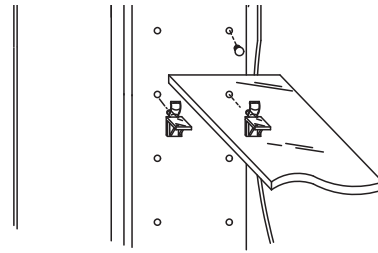


Fig. 11 图11

**STEP**  
**6**

**MIRROR**

**挂镜的安装**

See Fig.12, drill holes on the wall insert the wall anchors, fix the wall bracket of mirror and then hang the mirror to the bracket.

如图12所示墙上打孔，放入入墙胶粒，固定镜墙支架，挂好挂镜。

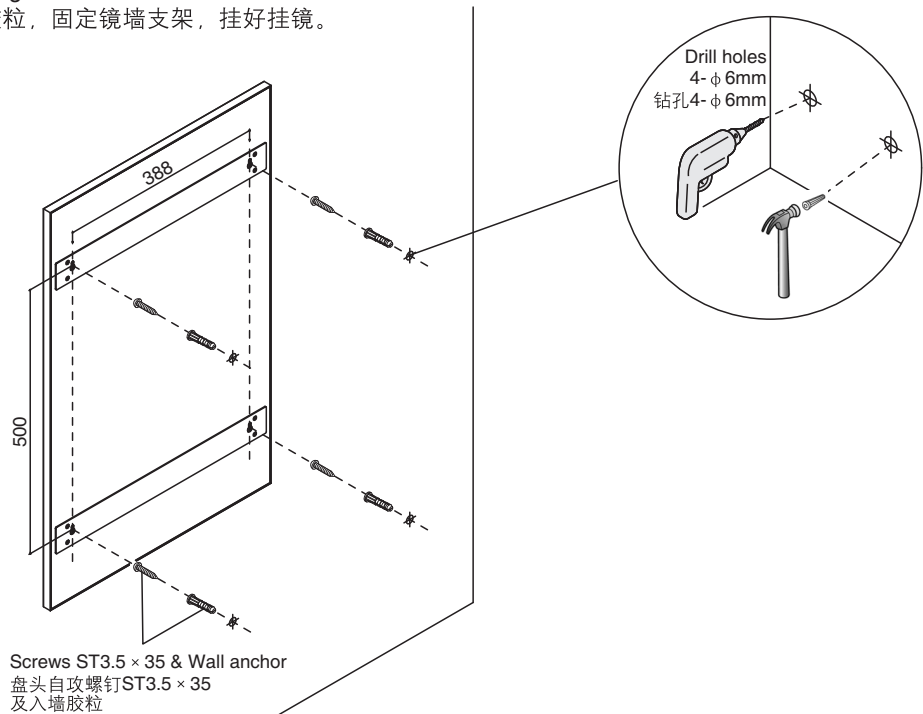


Fig. 12 图12

**STEP**  
**1**

## USER MAINTENANCE

## 日常维护

### Warn! Risk of product damage.

1. Many cleansers contain abrasive and chemical substance which is not suitable for cleaning stainless steel, enamel, plating or plastic products. You may use mild cleansers or soaps to clean the surfaces. Wipe any splashes of cleaner solutions from the surface with clean soft cloth.
2. Maintain ventilation in the bathroom, and separate the dry area from the damp one if conditions permit. Try to open the door and windows of the bathroom and maintain good ventilation.
3. Kohler mirrored cabinet are dealt with strict procedures for damp-proof, whose good damp-proof function ensures good performance even in bathroom of huge humidity. Yet do not splash and pour water directly on the mirrored cabinet. Make sure that the bathroom is not over damp and wipe any splashes from surfaces immediately.
4. Maintenance of door board: Clean and wipe door board regularly, and wipe the condensation vapor with dry and soft cloth.
5. The mirrored cabinet door and interior are constructed of mirror and aluminum. Use only a damp cloth to clean. Spray the cloth, not the mirror when cleaning. Mirrors are damaged by the use of ammonia or vinegar based cleaners. Rubbing alcohol can be used for stubborn stains.
6. Use no abrasive cleansers on any part of the mirrored cabinet.
7. The white frame should be cleaned with a damp cloth only.

### 警告！小心产品受损。

1. 许多清洁剂都含有研磨剂及化学物质，不可用于清洁不锈钢、搪瓷、镀层或塑料制品。这些表面须使用温和的清洁剂或皂液进行清洁，将残余洗涤剂洗干净，然后用干净的软布擦干。
2. 卫生间请保持良好的通风状态，有条件的可以干、湿分离，平常尽量保持浴室空气畅通，养成开窗开门的习惯。
3. 科勒镜柜都经过严格的防潮处理，但防潮并不是防水，使用时不可随意任镜柜被水浇、溅。良好的防潮性能可以保证在高相对湿度时仍有良好使用性，所以请避免卫生间过于潮湿，遇有水迹要及时擦干。
4. 门板的保养：经常用软布定期清洁、擦拭，洗浴后的冷凝水蒸气应用干布擦净，保持门板的干爽。
5. 镜柜是由玻璃镜和铝材制造出来的。只能用潮布清洁。清洁时请将水喷在布上，而不是玻璃镜上，含氨或酸的清洁剂会损坏玻璃镜，一些顽渍可用酒精擦除。
6. 千万不要磨沙型清洁剂擦拭镜柜的任何地方。
7. 白色框架的镜柜只可用潮布擦拭清洁。