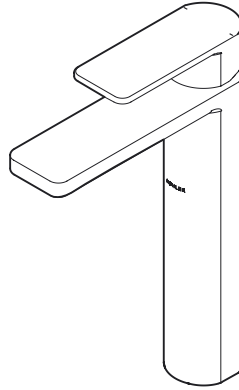
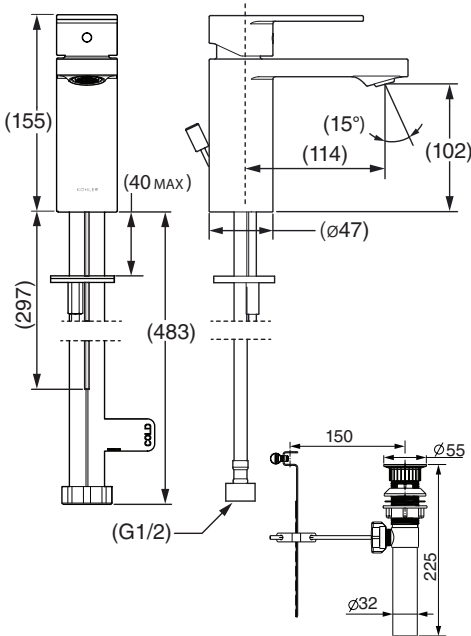


23472IN-4/4ND-**
SC LAV W & W/O
DRAIN

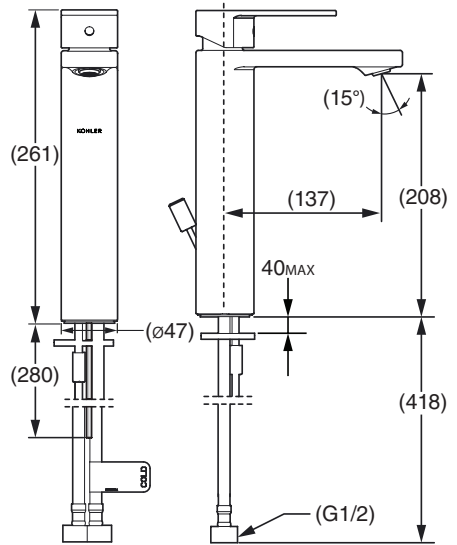


23475IN-4/4ND-**
SC TALL LAV W &
W/O DRAIN

ROUGH-IN DIMENSIONS (in mm)



23472IN-4/4ND-**



23475IN-4/4ND-**

PRESSURE AND HOT INLET TEMPERATURE



P (Bar) 0.5 < 3 < 5.5



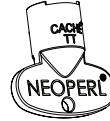
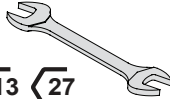
T (°C) < 65



TOOLS REQUIRED

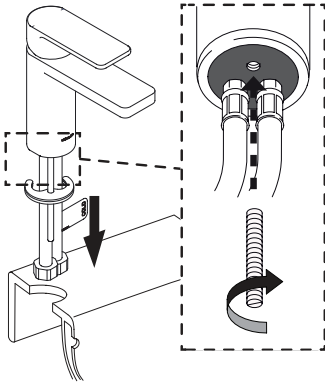


13 27

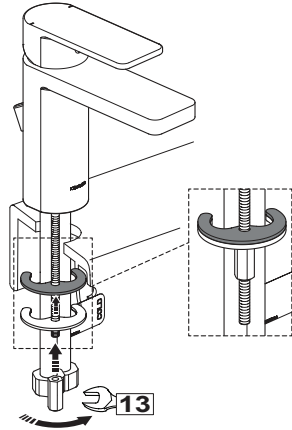


INSTALLATION INSTRUCTIONS

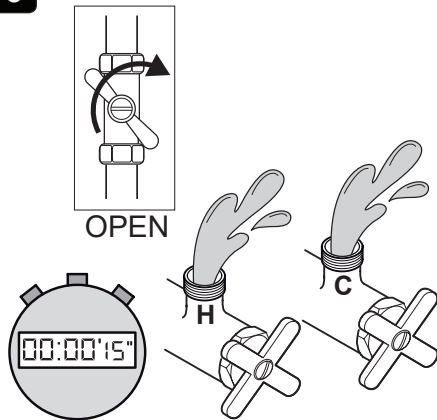
1



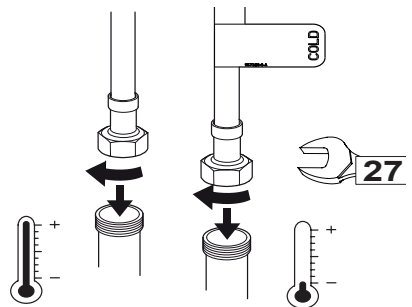
2



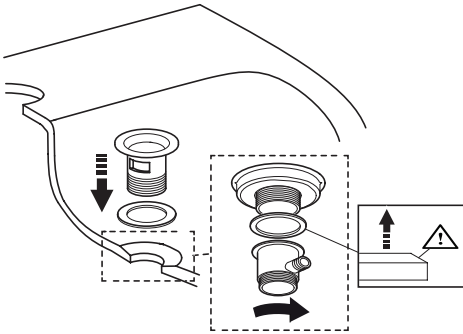
3



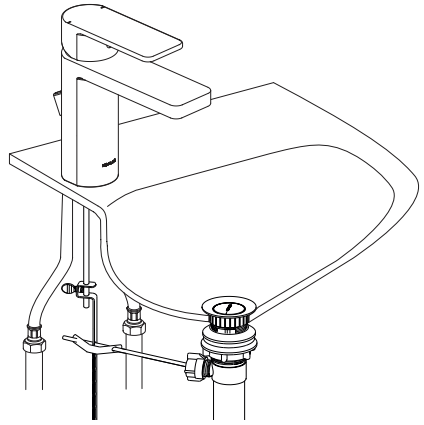
4



5 Drain Installation*.

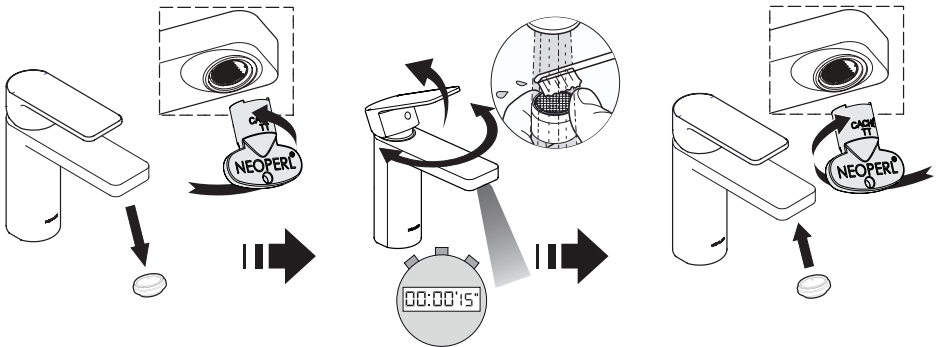


6



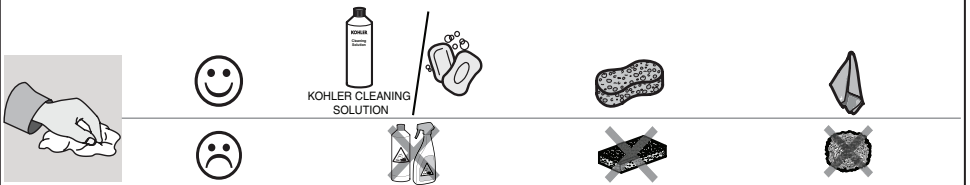
* Drain installation applicable for drain faucet only.

AERATOR CLEANING AND SERVICING

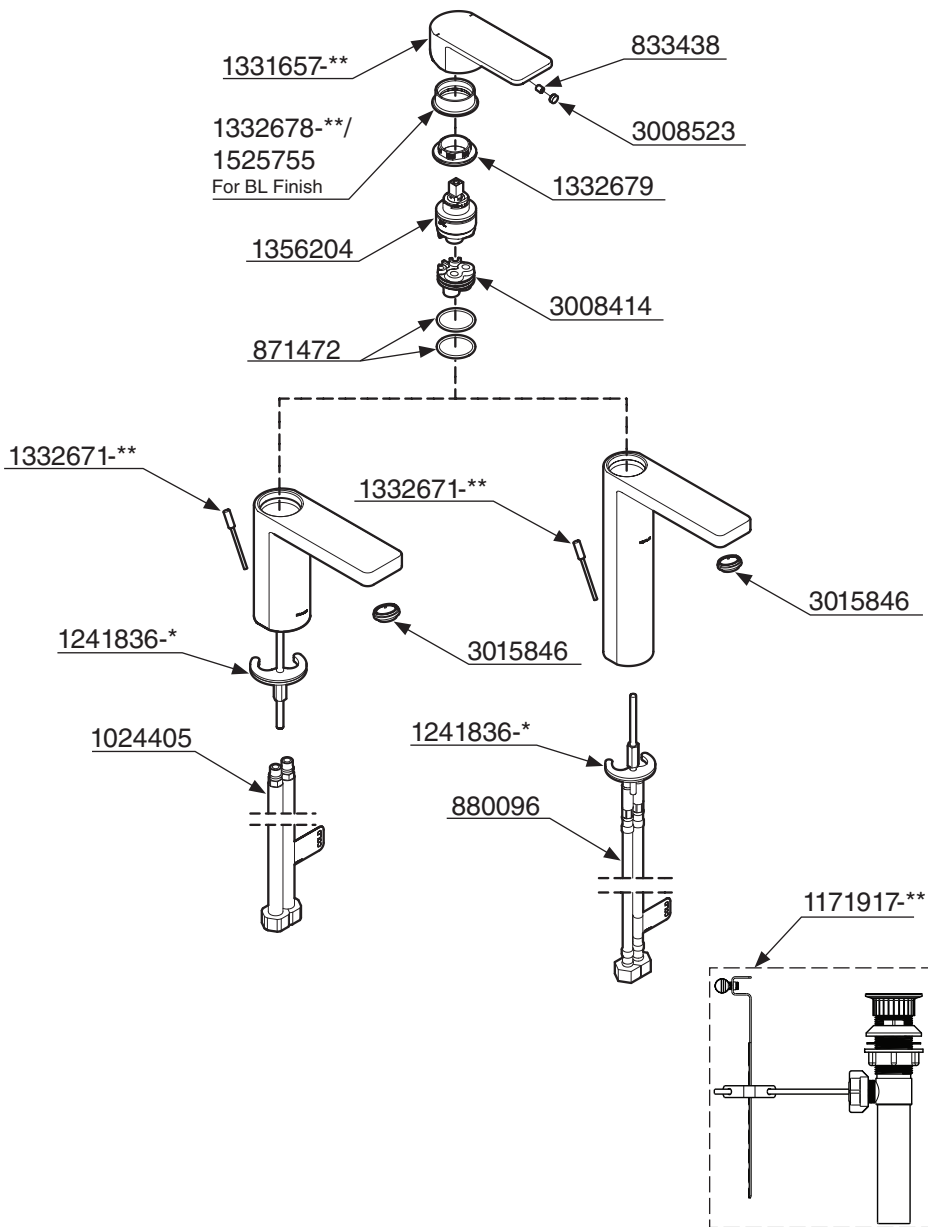


Ensure there is no leakage from the sides of aerator after tightening.

CLEANING INSTRUCTIONS



SERVICE PARTS



Note:- Drain (1171917-**) and Lift Rod (1332671-**) requires in both SKU's with drain only.

**-Finish code must be specified when ordering.