

BEFORE YOU BEGIN

- Please read these instructions carefully to familiarize yourself with the required tools, materials, and installation sequences. Follow the sections that pertain to your particular installation. This will help you avoid costly mistakes. In addition to proper installation, read all operating and safety instructions.
- All information in these instructions is based upon the latest product information available at the time of publication. Kohler China reserves the right to make changes in product characteristics, packaging, or availability at any time without notice.
- These instructions contain important care, cleaning, and warranty information - **please leave instructions for the consumer.**
- Observe all local plumbing and building codes.
- Carefully inspect the new urinal for damage.
- Site preparation may require additional tools and hardware.
- Fixture dimensions are nominal and conform to tolerances established by ASME Standards (A112.19.2-2018).
- The product complies with GB 6952-2015, GB 28377-2019.



CAUTION: Risk of personal injury or product damage. Handle with care. Vitreous china can break or chip if the product is handled carelessly.

安装之前

- 请通读本说明书，以便了解所需工具、材料及安装程序。请遵照相关章节进行安装，以避免由于安装不当而导致不必要的损失。除了有关正确的安装方法之外，还务请详阅所有操作及安全说明。
- 本说明书所含一切资料，均以印刷时所有的最新产品为准，科勒中国保留随时更改产品特性、包装或供应情况的权利，恕不另行通知。
- 本说明书也包含了有关护理、清洁及保养等重要资料 - 请交予用户保存。
- 遵守当地所有给排水及建筑规定。
- 仔细检查新的小便器是否损坏。
- 准备场地可能要求附加工具和硬件。
- 部件尺寸为标定值，误差符合美国ASME标准(A112.19.2-2018)。
- 本产品符合GB 6952-2015、GB 28377-2019。



警告：可能有人身伤害或产品损坏的危险。小心处理，若有所马虎，陶瓷件可能碎裂。

ORDERING INFORMATION

MODERN LIFE WH Urinal (Rear)
(0.5L/1L/2.5L).....K-21839T-2ER

订购资料

明莱挂墙式超级节水型小便器(后进水)
(0.5L/1L/2.5L).....K-21839T-2ER

RECOMMENDED TOOLS AND MATERIALS (NOT SUPPLIED)

- Open end/adjustable wrenches
- Tape measure
- Basin wrench
- Pipe wrench
- Square
- Level
- Pliers
- Socket wrench with sockets
- Screw driver
- Seal tape
- Drill
- Sealant

所需工具及材料(不随货供应)

- 开口/活动扳钳
- 卷尺
- 梅花扳钳
- 管扳手
- 直角尺
- 水平尺
- 老虎钳
- 管钳子
- 十字螺丝刀
- 生料带
- 冲击钻
- 密封胶

No.2 KOHLER ROAD, SANSHUI CENTRAL INDUSTRIAL PARK, LEPING TOWN, SANSHUI DIST., FOSHAN, GUANGDONG, PRC POST CODE: 528137

广东省佛山市三水区乐平镇三水中心工业园区科勒大道2号 邮编: 528137

8# MENGSHAN RD, ECONOMIC DEVELOPMENT ZONE OF HUANTAI, ZIBO, SHANDONG, CHINA POST CODE: 256410

山东省淄博市桓台经济开发区蒙山路8号 邮编: 256410

NO.1 KOHLER STREET, ECONOMIC DEVELOPMENT ZONE OF FAKU COUNTY, SHENYANG LIAONING PROVINCE, PRC POST CODE: 110400

辽宁省沈阳市法库经济开发区科勒大街1号 邮编: 110400

Reference Value
参考值

Unit:mm
单位: 毫米

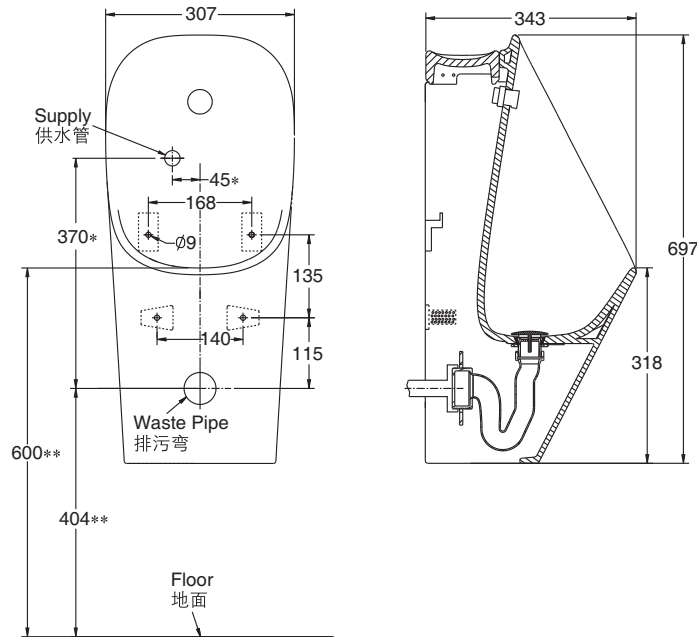


Fig.1
图1

Kohler reserves the right to change marked dimensions without prior notice.
科勒公司保留随时变更图中标示尺寸的权利，无需另行通知。

- Notice:** a. The dimensions above are just for reference.
b. * Indicates the location of inlet pipe, while inlet connector size is G 1/2.
c. ** Recommended dimensions for installation only, please adjust according to actual situation.

- 注意:** a. 以上尺寸仅供参考。
b. *为进水管推荐位置，进水接口尺寸为G 1/2。
c. **仅为建议安装尺寸，客户可根据实际情况调整。

⚠ Notice: To ensure an effective flush performance, strongly recommended inner diameter of water supply (including water meter, valve, etc.) is no less than 25mm, and supplied water pressure (sensor inlet dynamic pressure) is 0.18MPa ~0.55MPa.

⚠ 注意: 为保证有效冲洗，推荐供水管路(包括水表、阀等)内径不小于25mm，推荐供水水压(冲洗器进水口流动水压): 0.18MPa ~0.55MPa。

PREPARE THE SITE

NOTE: If a pre-existing waste pipe will be used and will result in an acceptable rim height (refer to the rough-in dimensions), follow the retrofit installation instructions.

For Retrofit Installations

- Turn the water supply line off, remove the existing urinal, then cap off the water supply line inside the wall.

For New Installations

- Install waste pipe as necessary to conform to the roughing-in dimensions.
- Install adequate support framing for the hangers as needed.

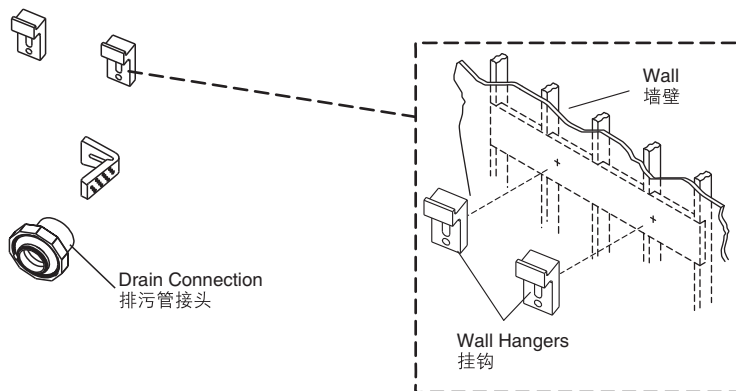
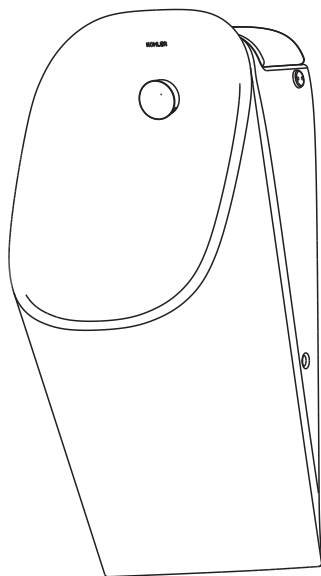


Fig.2
图2

INSTALLATION

安装步骤

A. Install hangers, L shape block and waste pipe connector

A. 安装挂钩、L形固定块和排污管接头

Install hangers, L shape block and waste pipe connector according to RI.

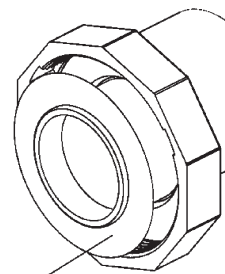
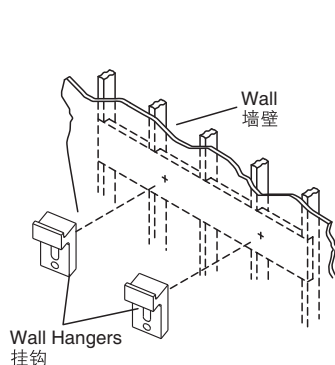
按尺寸图安装挂钩、L形固定块和排污管接头。

NOTE: 1. Gasket of waste pipe connector shall be soaked into water for 2 seconds to lubricate.

注意：1. 排污管接头的密封圈要泡到水两秒钟，以便润滑。

2. Shorten the connector if necessary to match the waste pipe on the wall.

2. 必要时，请裁短排污管连接头的长度以匹配墙体上的排污管。



Move the gasket to front of the pipe before connecting to the urinal.
连接小便器前，要把密封圈移到管的前部。

Fig.3
图3

B. Install urinal

1. Flush testing. Remove the regulator (supplied) if water press is too low.
2. Screw the connector into the sheath on the waste pipe. Do not tighten(tighten after installation is finished). Apply silicone sealant on the inside of the waste pipe on the wall.

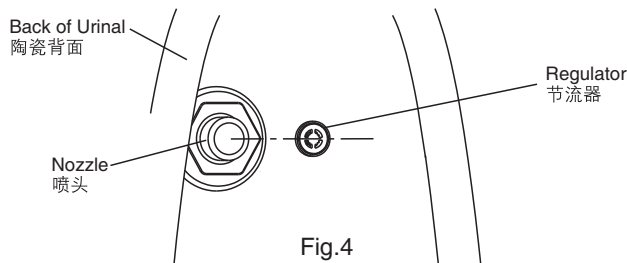


Fig.4
图4

3. Connect inlet pipe with corner valve.
4. Lift the urinal and insert the connector into the waste pipe on the wall.
5. Hang the urinal onto the hangers. If the hangers need to be adjusted, please first take down the urinal.(Refer to step C.)
6. Check the connector and the waste pipe. If necessary, rotate the waste pipe connector to ensure smooth installation.
7. Push the urinal against the wall and tighten the 2 screws of the hanger.
8. Tighten the urinal with the L shape bracket on the wall with the 2 screws through the screws holes on the side.
9. Tighten the connector with the sheath of the waste pipe.
10. Apply silicone sealant between urinal and wall.

B. 安装小便器

1. 测试冲水。水压过小时请拆除节流器(已提供), 如图所示。
2. 将排污管接头旋入陶瓷上的排污弯管螺纹轴上, 请勿拧紧(后续安装完后再拧紧), 同时在墙体排污管内涂上密封胶。

3. 将进水管连接到角阀上。
4. 抬起小便器, 将排污管接头插入墙体的排污管内。
5. 把小便器挂上挂钩。如需调整挂钩位置, 请先安全放下小便器, 再进行位置调整(方法可根据后续步骤C)。
6. 检查排污管接头与排污管连接状态。若有必要, 请旋转排污管接头管, 以保证接头螺母套可自然旋入排污管螺纹轴上。
7. 将小便器推紧贴墙, 上紧挂钩处的2颗紧固螺钉。
8. 将螺钉穿过侧面2个螺钉固定孔, 上紧小便器与墙上的L型支架。
9. 将排污管接头螺母套与排污弯管螺纹轴拧紧。
10. 在小便器和墙之间打上玻璃胶。

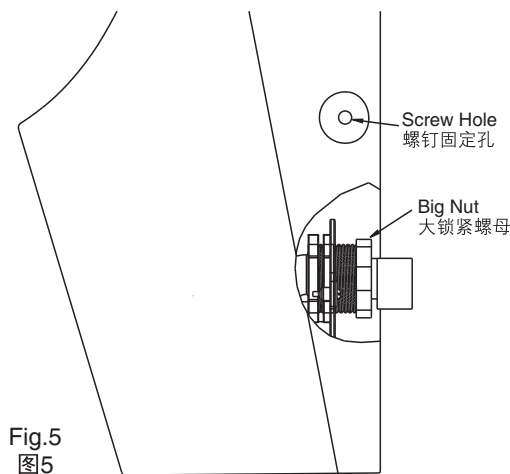


Fig.5
图5

C. Adjust the hanger

1. As shown in the picture below, firmly press the hanger with the bolt through the waist-shaped hole.

C. 调整挂钩

1. 如下图所示, 通过挂钩上的腰形孔, 用螺栓压紧挂钩。

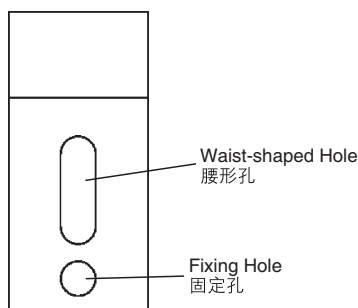


Fig.6
图6

2. As shown in the picture below, if the position of the urinal needs to be adjusted, please take down the urinal and knock the hanger slightly to adjust its position upwards and downwards.

2. 如下图所示，如果小便斗上下位置不合适，请取下小便斗，用锤子轻轻的上下敲击挂钩，调整挂钩的上下位置。

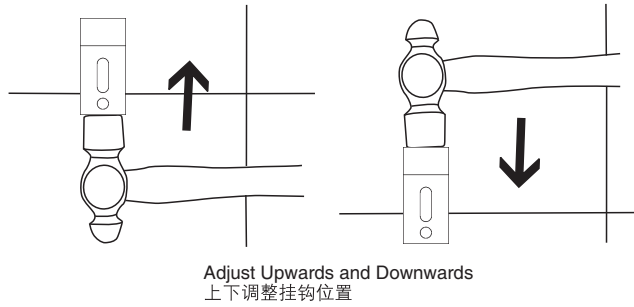


Fig.7
图7

3. After the position of the urinal is decided, completely fix the hanger with the bolt through the fixing holes on the hanger.

3. 确定挂钩位置后，通过挂钩上的固定孔，锁入螺栓使得挂钩完全的固定。

D. Install Urinal Cover

D. 安装小便器盖

See Fig.#8

请参阅图8

1. Open urinal cover lock package and remove contents. Fix hook and screw as shown.
2. Put urinal cover on the urinal.
3. Use supplied locking tool to install and tighten the screw.
4. Check that the urinal cover is properly locked.

1. 打开小便器盖包装，并取出所有物品。如图所示，分别安装挂钩和套筒螺丝。
2. 把小便器盖置于小便器上。
3. 用所附的工具安装并锁紧螺丝。
4. 检查并确保小便器盖锁好。

NOTE: Using a 5/8" wrench, assemble and tighten nut, washer and lock nut on both sides of urinal.

注意：在小便器两侧，用5/8"板钳组装并拧紧螺母。

CAUTION: Risk of chipping or breaking urinal. Do not overtighten screws on urinal.

警告：小便器有破损和崩裂的危险。不要将螺丝上得过紧。

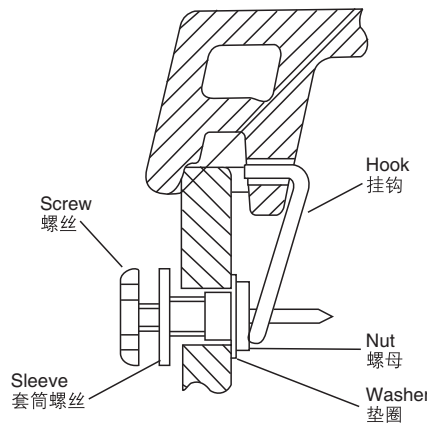



Fig.8
图8

CONSUMER RESPONSIBILITIES


If you live in a hard water area, make certain that the holes in the toilet rim are kept clean to ensure proper flushing. Toilet bowl cleaners should be used at least once a week. Use a long-handled brush to clean the rim holes, and to clean as far into the trap as possible to prevent mineral deposits from forming.


Most toilet bowl cleaners are not harmful to the vitreous china surface of the urinal. Please follow the bowl cleaner manufacturer's instructions carefully.


Do not use abrasive cleaners or solvents.

 **WARNING: Risk of property or product damage.** Do not use cleaners inside the wash basin. Products containing chlorine (calcium hypochlorite) can seriously damage fittings in the urinal. This damage can cause leakage and property damage.

Kohler Company shall not be responsible or liable for any damage to these urinal fittings caused by the use of cleaners containing chlorine (calcium hypochlorite).

 **WARNING:** Never spit phlegm and throw stub or something else into the urinal.

 **WARNING: Risk of product damage.** Do not throw into the urinal what is easy to block it, such as newspaper, paper pilch. Do not bump the vitreous china with great force to prevent it from damaging and leaking. Do not use the product in the water below 0°C.

 **CAUTION:** Please do not use hard materials (like scouring pad) to clean product surface, especially the product logo.


It is recommended to use sensors of KOHLER brand.

用户责任


如果你居住地方的水质是硬性，你必须保持冲水孔清洁，令小便器冲水正常。每星期应最少使用厕所清洁剂清洁一次，用长把手的刷子清洁冲水孔，并尽量伸入排污管洗刷，防止矿物质积聚。


大部份厕所清洁剂都不会损坏小便器表面的釉面陶瓷，但烦请遵照厕所清洁剂生产商指示小心进行。

请勿使用腐蚀性剂或溶剂。


 **警告：**提防楼宇受损或损坏产品。请勿使用小便池内用清洁剂。含氯(次氯酸钙)的清洁剂会严重破坏小便器附件，从而引起渗漏，或对楼宇结构造成损坏。

科勒公司对此类因使用氯(次氯酸钙)而引致的小便器附件损毁，概不负责。

 **警告：**请勿往小便器内吐痰、扔烟蒂等杂物。

 **警告：**提防损坏产品。请不要向小便器内冲入新闻纸、纸尿垫等容易堵塞的物品。请不要用重力撞击陶瓷，以防止破损漏水。

不要在0°C以下的水环境中使用。

 **警告：**请勿使用钢丝球等硬质材料擦洗产品表面，特别是产品商标处。

推荐使用科勒配套的感应器。