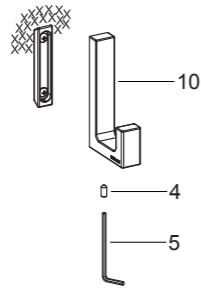


How To Install The Wall Hook

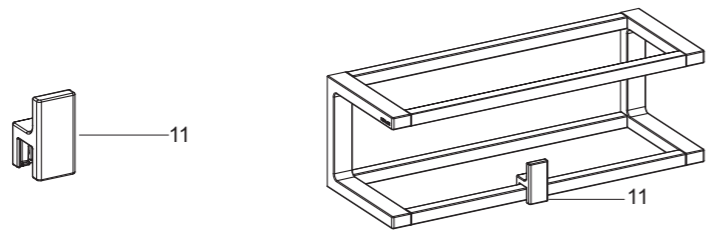
Slide the hook kit(6) onto the bracket, tighten the screw(4) with the hex wrench(5) to secure hook kit.



How To Install The Shelf Hook

Press the shelf hook kit(11) onto the bar of frame. Shelf hook position can be moved on the bar as desired.

Notes: Shelf hook need to be used along with frame.



INSTALLATION CHECKOUT

Ensure that all connections are tightened.

CLEANNING INSTRUCTIONS

All finishes: clean the finish with mild soap and warm water. Wipe entire surface completely dry with clean soft cloth. Many cleaners may contain chemicals, such as ammonia, chlorine, toilet cleaner etc. which could adversely affect the finish are not recommended for cleaning.

Do not use abrasive cleaners or solvents on Kohler faucets and fitting.

- 27352T Frame (600MM)
- 27353T Frame (300MM)
- 27354T Frame (150MM)
- 27362T Toilet Paper Holder
- 27363T Wall Hook
- 30377T Shelf Hook
- 30080T Soap Dish Grid

BEFORE YOU BEGIN

All information is based on the latest product information available at the time of publication. Kohler Co. reserves the right to make changes in product characteristics, packaging, or availability at any time without notice.

Please leave these instructions for the consumer. They contain important information.

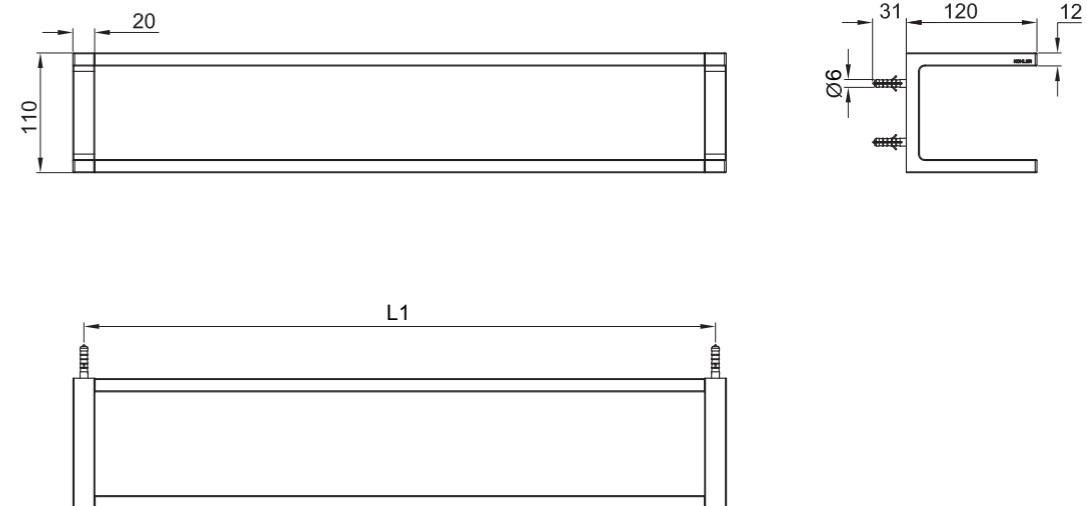
NOTE:

These products should be located and mounted to a wall. While it is possible to mount them to any surface, a stud or concrete mounted product will yield the best results.

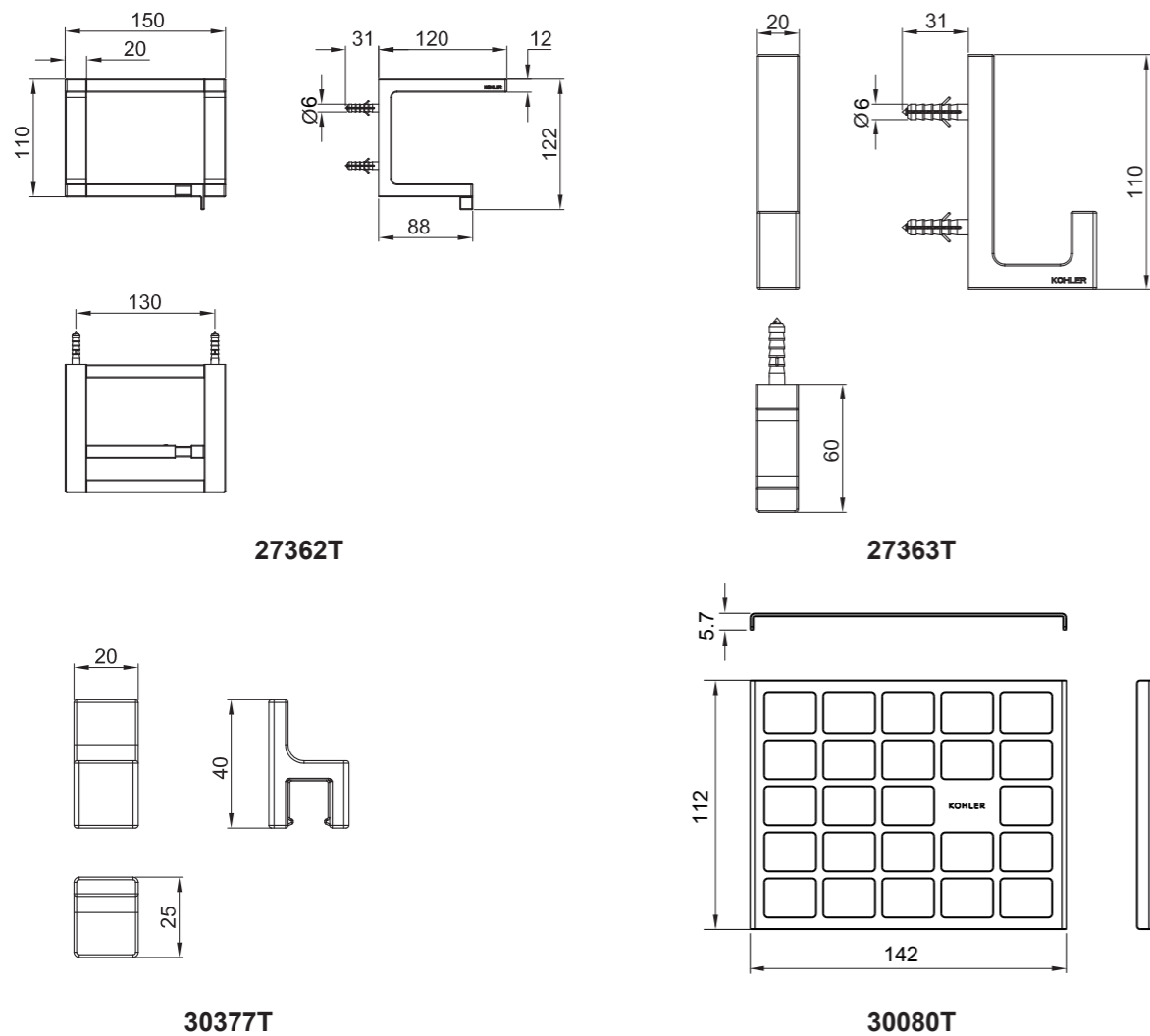
DANGER: (Risk of personal injury)

These products are not designed or intended for use as a grab bar or support bar. Do not install where the product might be used as a grab or support bar.

ROUGH-IN DIMENSIONS



- 27352T (L1=580)
- 27353T (L1=280)
- 27354T (L1=130)



INSTALLATION

Determine The Installation Location

Only for 27352T / 27353T / 27354T / 27362T

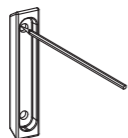
As shown below, select a location on the vertical wall to stick the templet, ensure the templet is horizontal. Drill hole in the finished wall as required.



Only for 27352T / 27353T / 27354T / 27362T

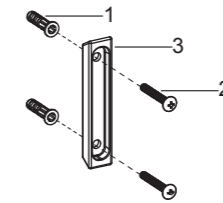
Only for 27363T

Select a location on the vertical wall to install the bracket. mark anchor mounting hole location on wall as shown, ensure two screw holes of bracket(3) are vertical. Drill hole in the finished wall as required.



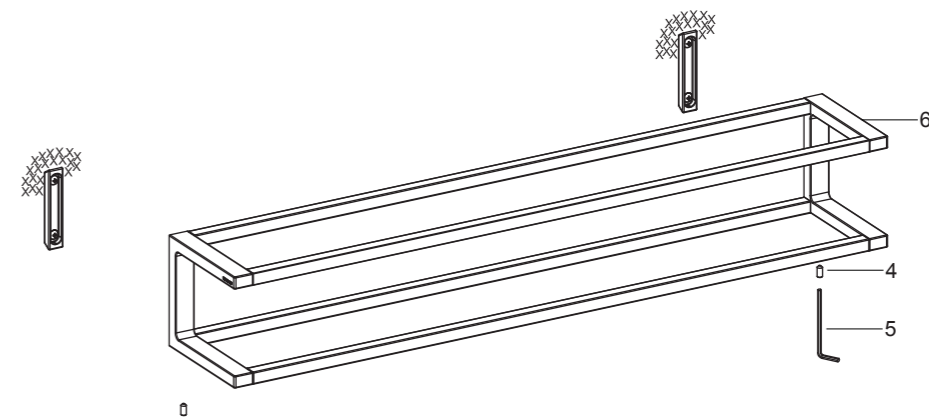
Install The Bracket

As shown below, press the anchor(1) into the hole. Orienting the bracket(3) and ensure two screw holes of bracket are vertical. Secure the bracket with the self-tapping screw(2).



How To Install The Frame

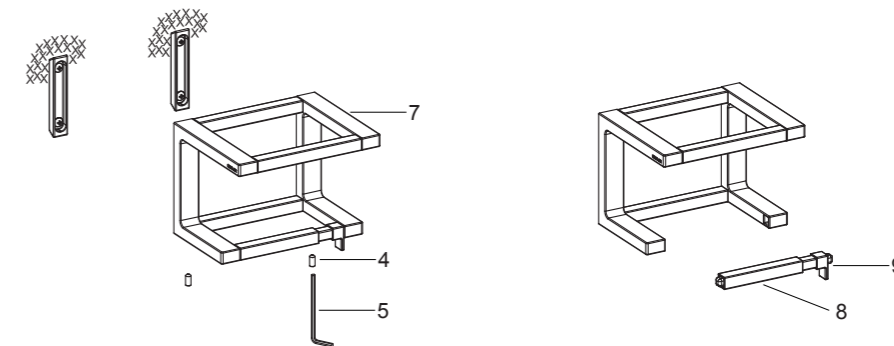
Slide the extension of frame kit(6) onto the bracket, tighten the screw(4) with the hex wrench(5) to secure frame kit.



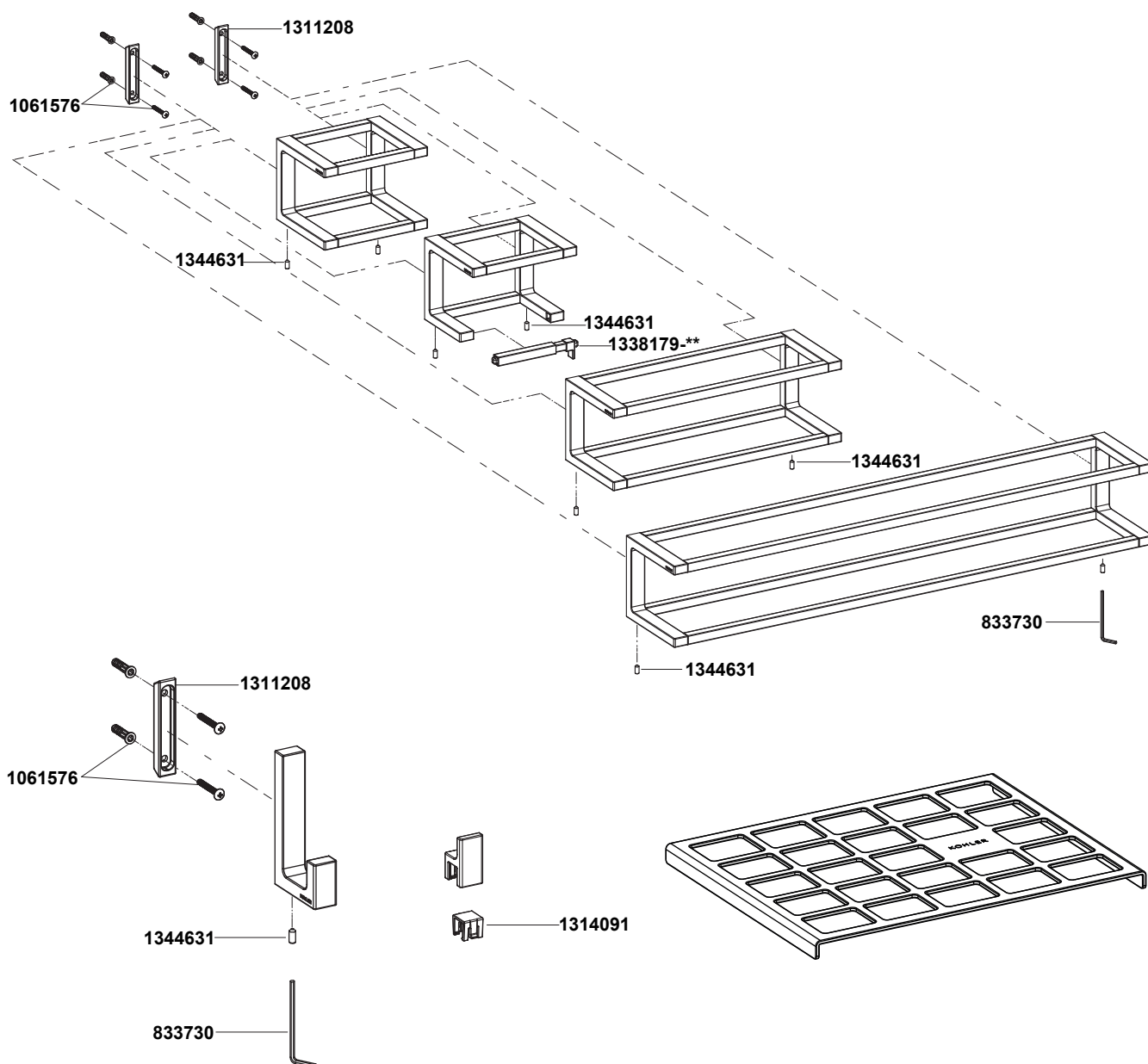
How To Install The Toilet Paper Holder

Slide the extension of tissue holder kit(7) onto the bracket, tighten the screw(4) with the hex wrench(5) to secure tissue holder kit.

Press the knob(9) of tissue spindle(8) and take it off from the tissue holder kit as required, insert roll paper onto the tissue spindle and then replace it.



- 27352T Frame (600MM)
- 27353T Frame (300MM)
- 27354T Frame (150MM)
- 27362T Toilet Paper Holder
- 27363T Wall Hook
- 30377T Shelf Hook
- 30080T Soap Dish Grid



**Color code must be specified when ordering

NOTE: For all Asia pacific regions (excluding China) add SP (SPxxxxxx**) in front of the part number when ordering.