

21369T-4E2 单把厨房龙头

安装之前

所有的资料是按最新出版的产品资料编写而成。科勒公司保留任何时候不经通知即可改变产品特性、包装或产品可供类型的权利。

说明书包括重要的安装、保养及清洁方面的内容，请把这些资料交给用户阅读。

注意事项：

- 1.检查供水管有无损坏，如有需要，进行替换。
- 2.一定要先彻底冲洗供水管以清除管道中的杂质。
- 3.尽可能在安装厨盆之前安装水龙头。

BEFORE YOU BEGIN

All information is based on the latest product information available at the time of publication. Kohler Co. reserves the right to make changes in product characteristics, packaging, or availability at any time without notice.

Please leave these instructions for the consumer. They contain important information.

NOTE:

1. Inspect the supply pipes for damage and leakage. Replace and maintain as necessary
2. Flush the water supply pipes thoroughly to remove any debris.
3. If possible, install this faucet before installing sink.

使用说明

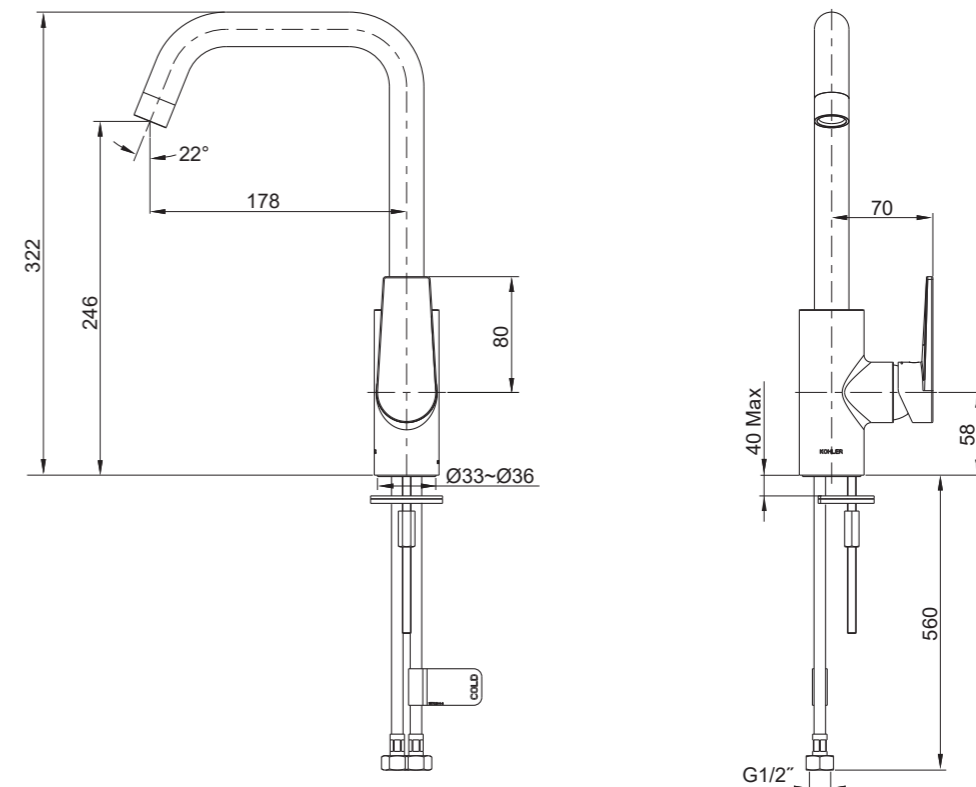
轻轻打开手柄，顺时针旋转为冷水，逆时针旋转为热水。

HANDLE OPERATION

Open the handle gently. Turn clockwise for cold water, turn counter-clockwise for hot water.

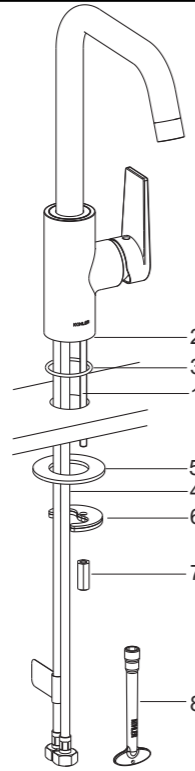
安装尺寸

ROUGH-IN DIMENSIONS



安装步骤

将固定螺栓(1)安装到水龙头底部(2), 把O型圈(3)装在水龙头底部, 将软管(4)插入厨盆安装孔中。



从厨盆下方, 把垫圈(5)、托架(6)(橡胶垫片放在上面)和螺母(7)套入固定螺栓(1)。调整水龙头的位置使手柄位于水龙头右侧。用工具(8)锁紧螺母以固定水龙头。

把软管接到水源, 贴有"COLD"标签的软管连接冷水。

INSTALLATION

Install the mounting stud(1) into the faucet body base(2). Insert the O-ring(3) under the body assembly. Insert the flexible supply hoses(4) into the sink.

From underside of the sink, place the washer(5), washers(6, rubber washer is on the top) and nut(7) onto mounting stud. Position the faucet so that the handle is on the right side. Tighten the nut by tool(8) to secure the faucet.

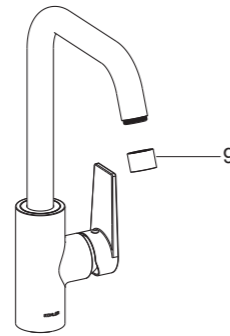
Attach the hoses to water supplies. The hose with "COLD" label is for cold water.

安装结果检查

检查并确保所有的衔接处都已拧紧。确保把手在关闭的位置。

打开排水系统和主要供水源, 检查并修理有漏水的接口。

将起泡器(9)拆下, 打开水龙头的冷热水, 让水流出约一分钟以清除杂质。冲洗起泡器, 关闭水龙头, 重新装回起泡器。



INSTALLATION CHECKOUT

Ensure that all connections tightened and the handle is in the off position.

Open the drain. Turn on main water supply and check for leaks. Repair as required.

Remove the aerator(9). Turn on the faucet handle. Run hot and cold water through the spout for about one minute to remove any debris. Remove debris from the aerator. Shut off the faucet and reinstall the aerator.

清洗说明

适用于所有加工处理过的表面: 以中性肥皂水清洗镀层表面, 再以干净的软布彻底擦干整个表面, 许多清洁剂, 比如氨水、去污粉及洁厕灵等, 会对电镀表面造成伤害, 切忌使用。

有磨损性的清洁用具或清洁剂也不可适用于科勒牌的水龙头及其配件上。

CLEANING INSTRUCTIONS

All Finishes: Clean the finish with mild soap and warm water. Wipe entire surface completely dry with clean soft cloth. Many cleaners may contain chemicals, such as ammonia, chlorine, toilet cleaner etc. which could adversely affect the finish and are not recommended for cleaning.

Do not use abrasive cleaners or solvents on Kohler faucets and fittings.

龙头本体背面标有“LEAD FREE”字样, 即产品符合美国AB1953法令的要求。

"LEAD FREE" is marked on the back of the faucet signifying its compliance with the United States AB1953.

KOHLER®

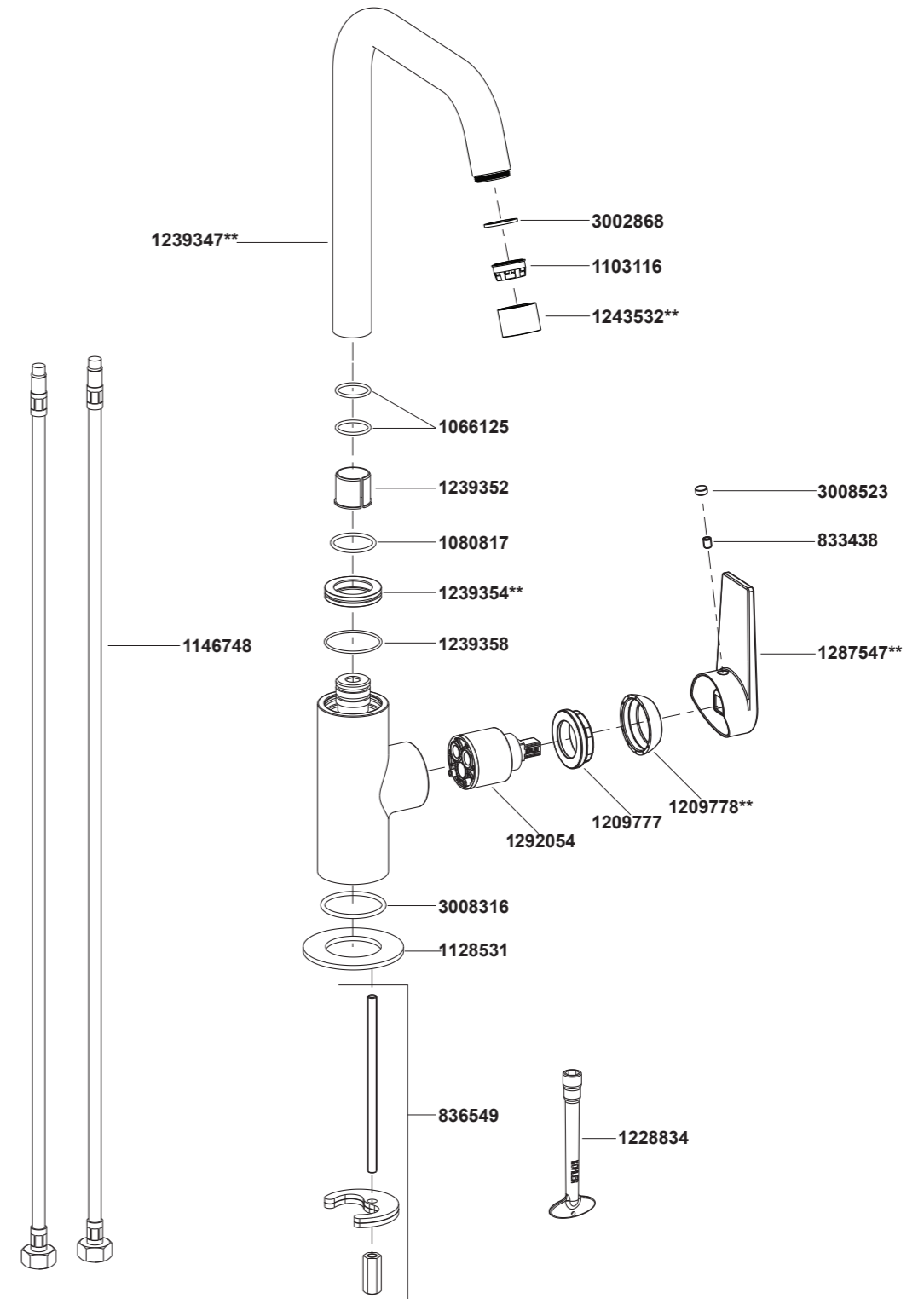
SERVICE PARTS

零件图

韬立
TAUT

Tube Spout Kitchen Faucet

21369T-4E2 单把厨房龙头



**订购时请说明颜色编号

**Color code must be specified when ordering