

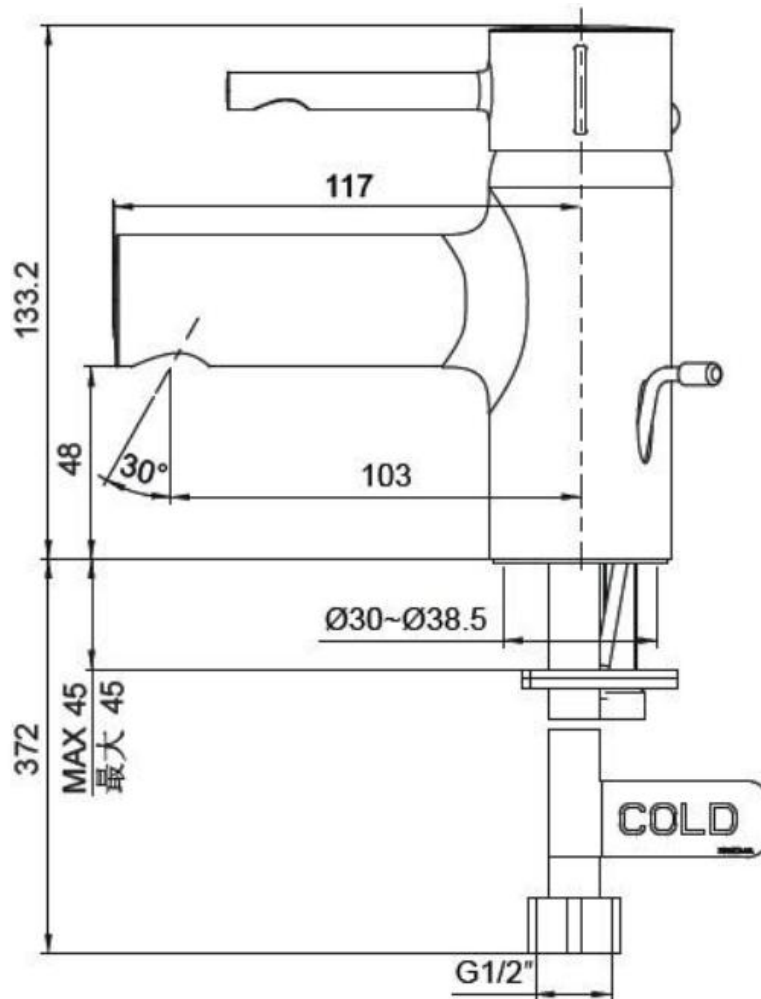
CUFF
K-37301T-4

Product Specification:

Model	Spout		Handle	Includes	Finish
	Reach #	Height			
K-37301T-4	103 mm	48 mm	Lever	Spout, handle, valve, aerator, drain kit, flexible inlet hose, connection kit	Polished Chrome (-CP)

#Reach: the distance between the spout and the center of the faucet opening hole.

Product Dimension:



K-37301T-4

Please note that the above information are subject to change without notice.