

**97360T-B4 3 Hole Bath Filler With Handshower**

**BEFORE YOU BEGIN**

All information is based on the latest product information available at the time of publication. Kohler Co. reserves the right to make changes in product characteristics, packaging, or availability at any time without notice. Please leave these instructions for the consumer. They contain important information.

**NOTES:**

1. Flush the water supply pipes thoroughly to remove debris.
2. Inspect the supply tubing for damage and leakage. Replace and maintain as necessary.
3. Observe local plumbing codes.
4. If possible, install the faucet before installing the tub.
5. The highest working pressure for handshower is 0.5MPa(5bar). If it exceeds 0.5MPa(5bar), a pressure reducer is needed. The highest water and environment temperature is 60°C. Please keep the handshower, showerhead and shower arm away from heater, or it may become damaged and cause injury to the user.

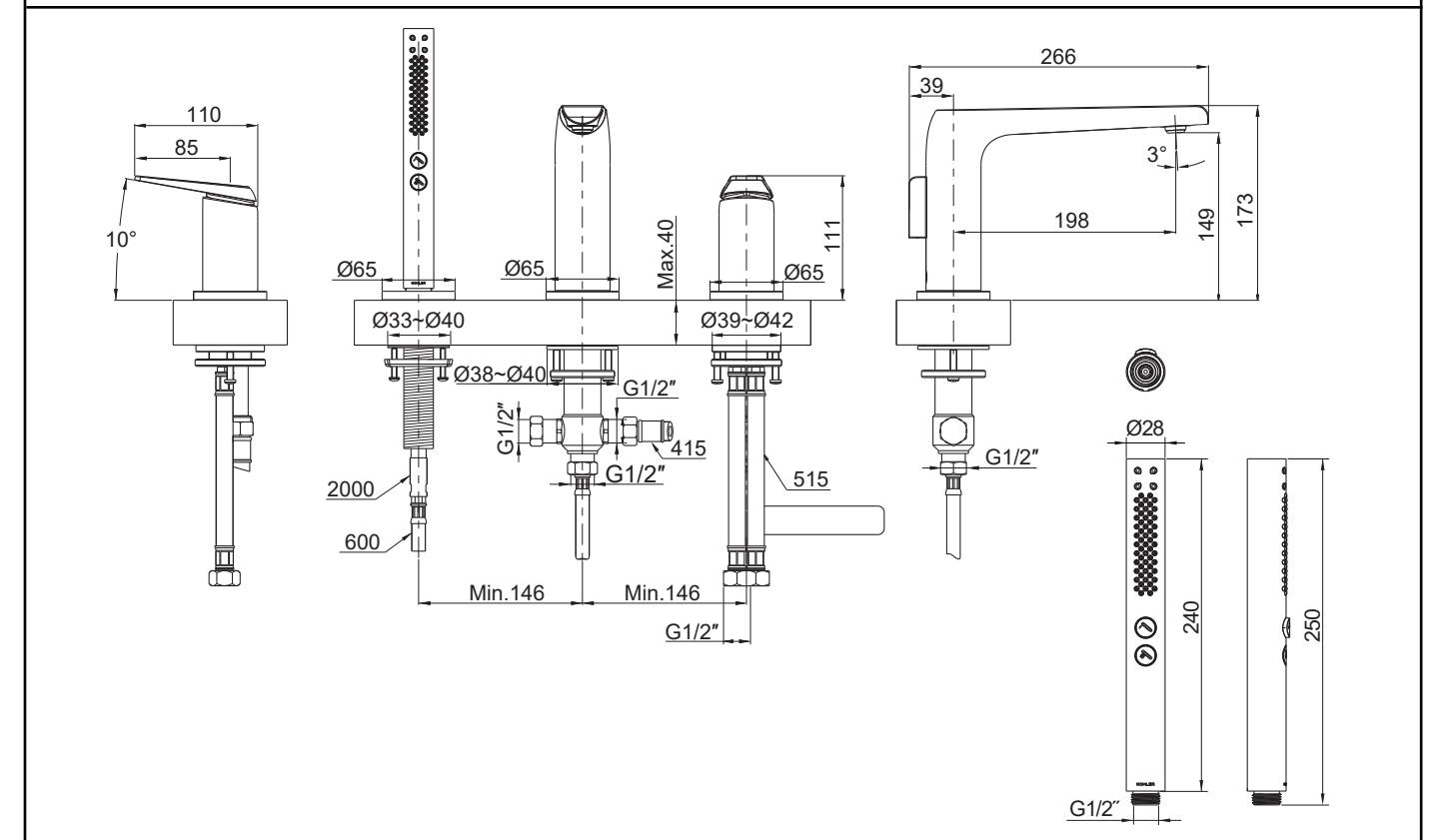
**HANDLE OPERATION**

Lift the handle gently. Turn clockwise for hot water, turn counter-clockwise for cold water. Lift the diverter knob behind the faucet for handshower.

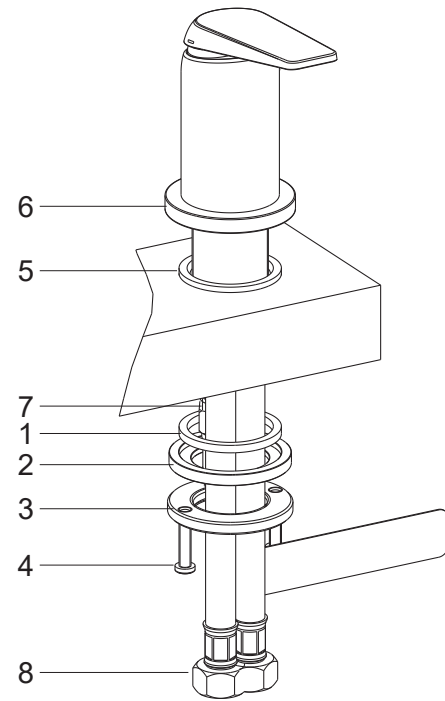
**STANDARD APPLICABLE**

Special model meets or exceeds the following at date of manufacture: TIS

**ROUGH-IN DIMENSIONS**



## INSTALLATION



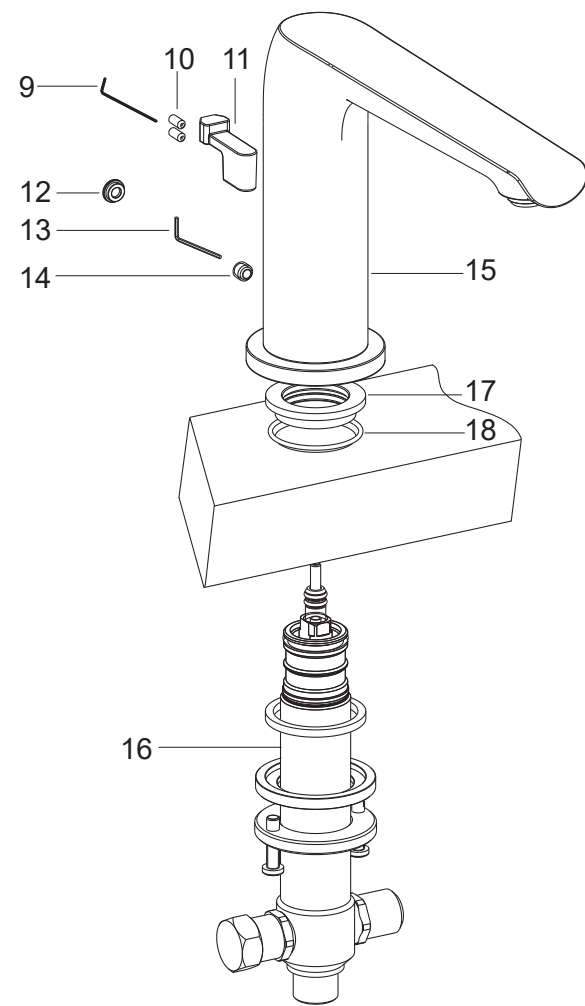
### How to Install the Valve Kit

Remove the washers(3, 2, 1) and screws (4) from the valve kit. Put the washer(5) into the bottom groove of escutcheon(6). Put the washer(1) into the groove of washer(2).

Fit the valve kit to the hole of the bath tub. From underside of the bath tub, install the washers(1, 2, 3). Position the valve kit so that the connector(7) of the valve kit is on the back. Tighten the screws(4) to secure the valve kit.

Attach the hoses(8) to water supplies. The hose with "COLD" mark should be connected to cold water.

①



### How to Install the Spout

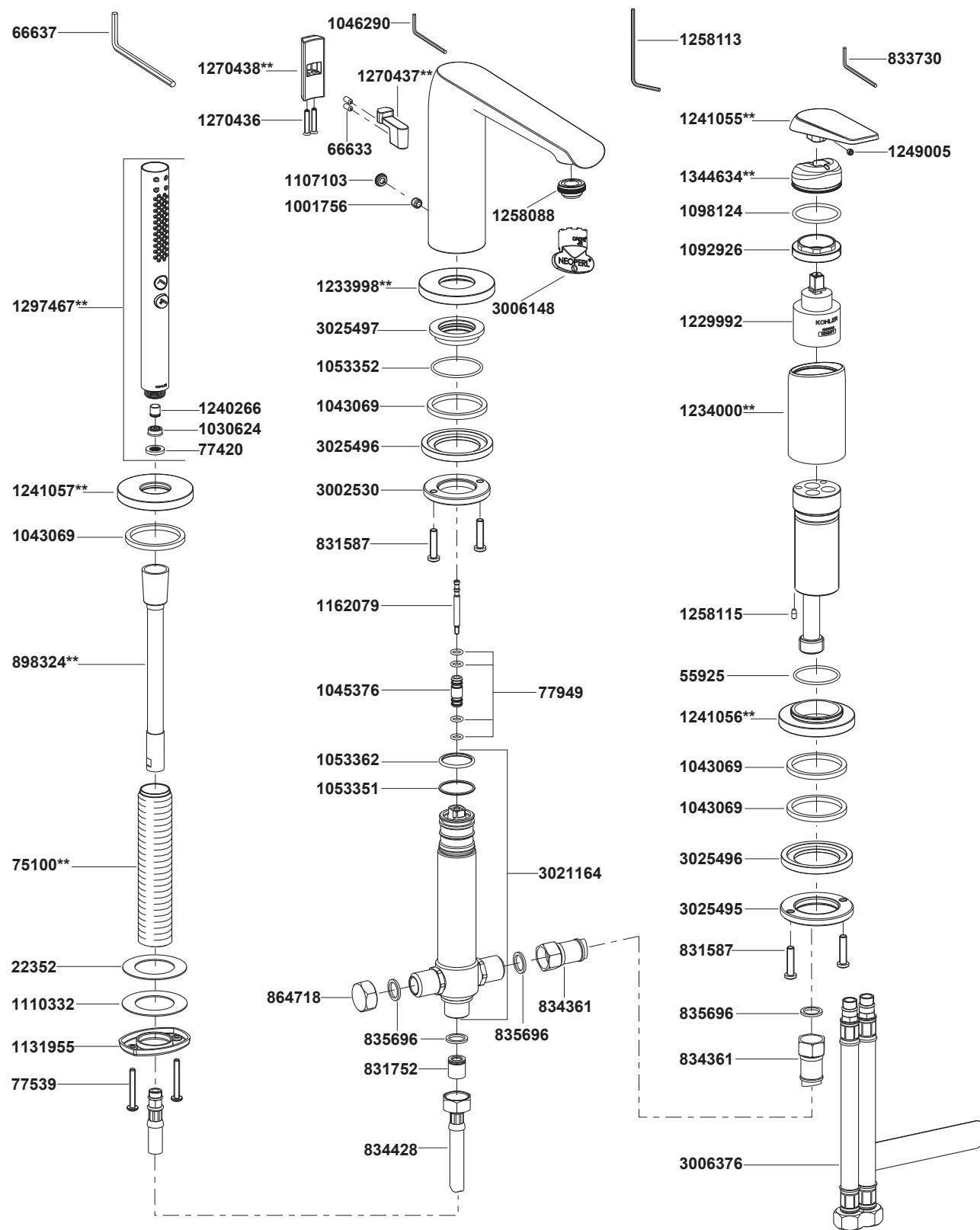
Loosen the screws(10) with hex wrench (9), and remove the connector (11).

Remove the plug(12) from the spout kit(15). Loosen the screw(14) with the hex wrench(13), and remove the diverter kit(16).

Slide the o-ring(18) into the bottom groove of the nut(17). From underside of the bath tub, insert the diverter kit into the hole of bath tub and put out it as much as possible.

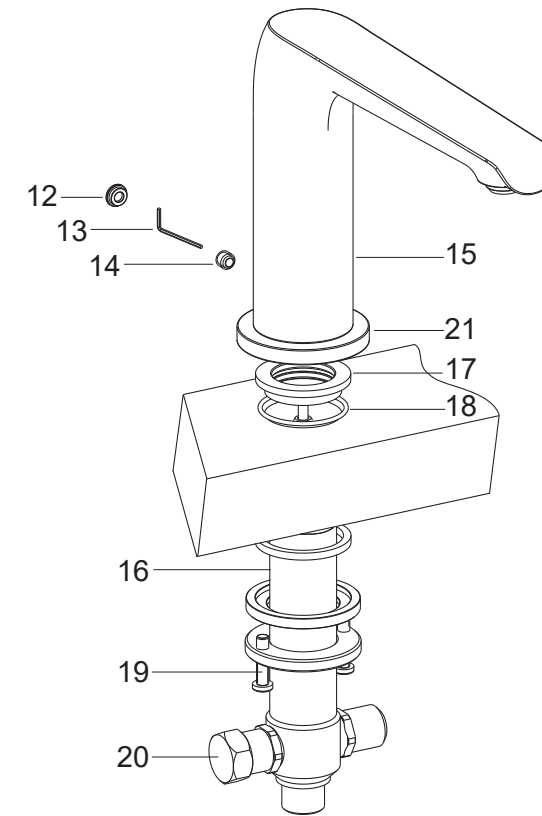
②

**97360T-B4 3 Hole Bath Filler With Handshower**



\*\*Color code must be specified when ordering.

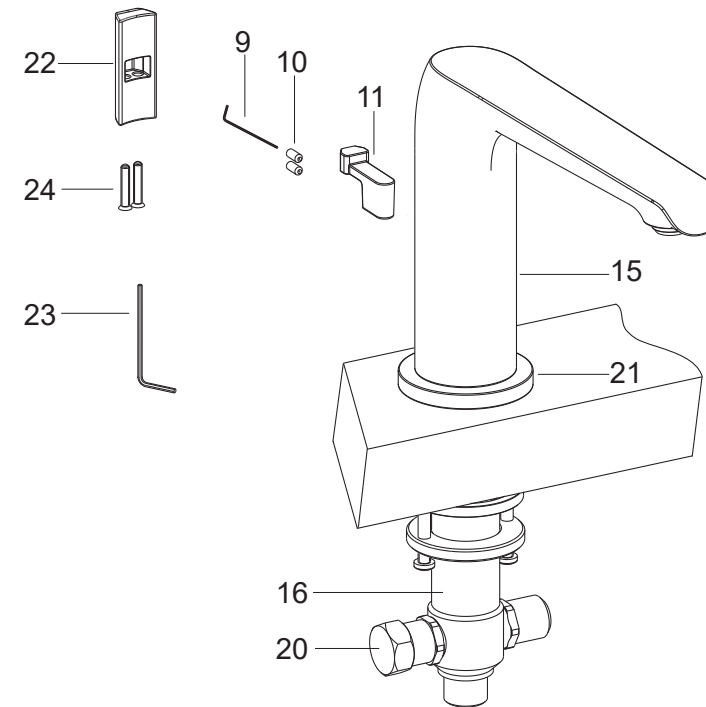
**NOTE:** For all Asia pacific regions (excluding China) add SP (SPxxxxxx\*\*) in front of the part number when ordering.



Tighten the nut(17) with the o-ring onto the diverter kit, and keep it against the bath tub. Position the diverter kit so that the nut(20) is on the left. Tighten the screws(19) to secure the diverter kit.

Install the spout kit(15) onto the diverter kit. Make sure the escutcheon(21) against the bath tub. Position the spout kit so that the spout points to the front. Tighten the screw(14) with the hex wrench(13), and install the plug(12).

③

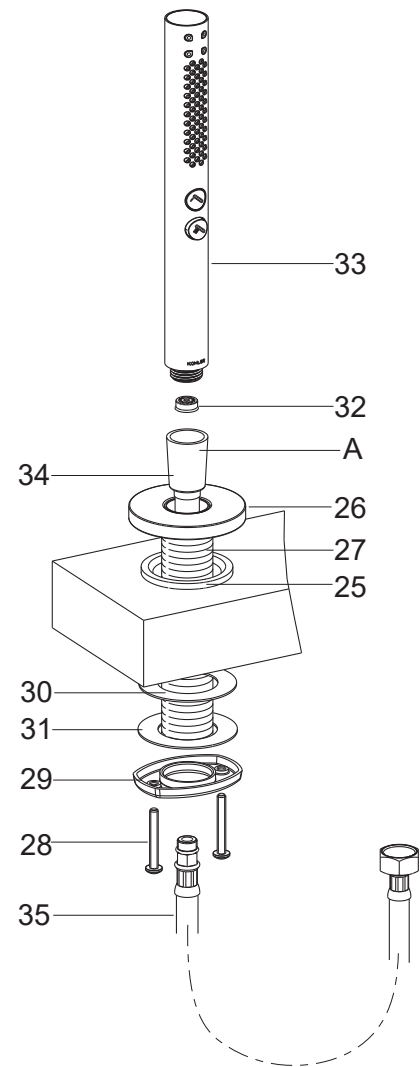


Install the connector(11) to the diverter kit.

Tighten the screws(10) with the hex wrench(9).

Install the lift knob(22) onto the connector(11), tighten the screws(24) with the hex wrench(23).

④



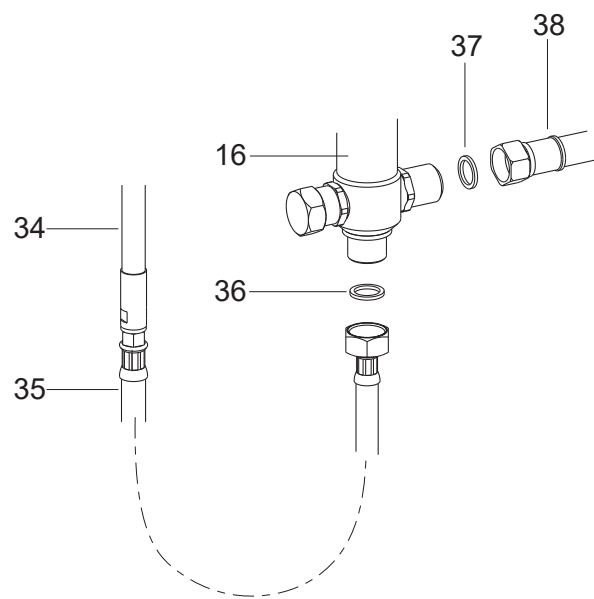
### How to Install the Handshower

Put the washer(25) into the bottom groove of the escutcheon(26). Tighten the escutcheon with washer on the shank(27), and then insert the shank into the mounting hole.

Pre-install the screws(28) into the screw holes of the threaded ring(29). From underside, install the fiber washer(30), steel washer(31) and threaded ring to the shank. Tighten the screws.

If needed, install the regulator(32) into the handshower(33). Connect the end A of the hose(34) to the handshower. Slide another end of the hose(34) through the escutcheon, and attach to the connection hose(35).

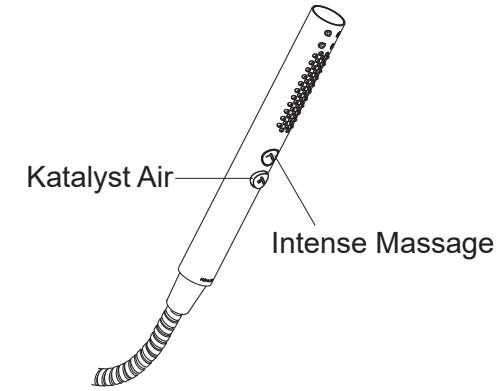
⑤



Put the washer(36) into the nut of the hose(35). Connect the connection hose to the diverter kit(16).

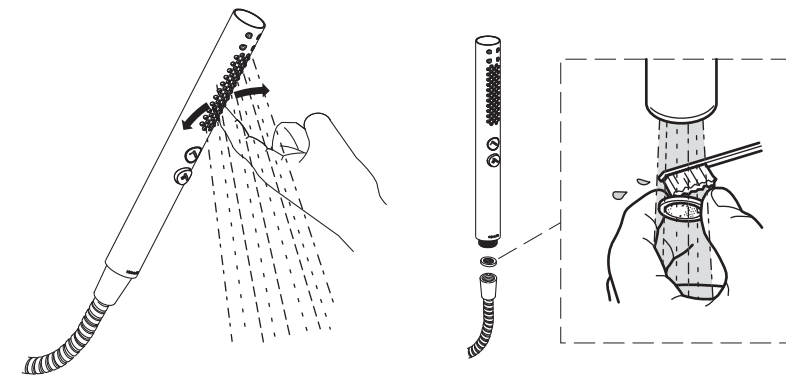
Put the washer(37) into the nut of the hose(38). Connect the diverter kit and the connector(7) of valve kit by the hose.

⑥



### How to Operate the Handshower

Press the buttons of the handshower to change the water flow.

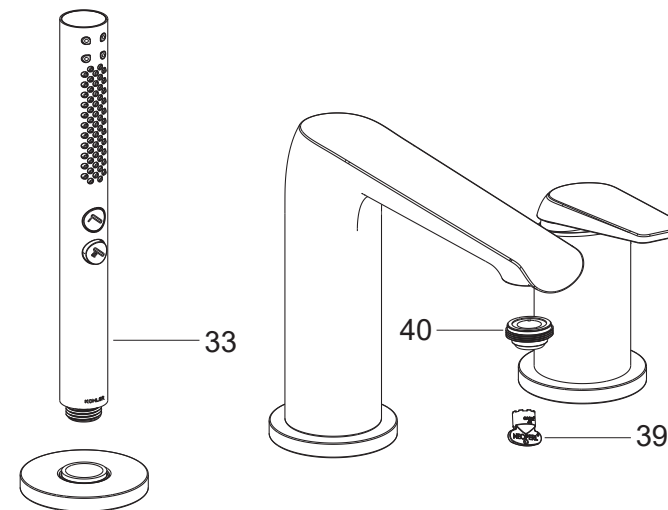


### How to Maintain the Handshower

Any debris or mineral build-up may cause the flow stream to become distorted or reduce the flow rate. To remove the debris or mineral build-up, run water through the handshower, firmly press or rub your finger back and forth across the rubber nozzles.

Remove and clean the screen washer.

### INSTALLATION CHECKOUT



Ensure that all connections are tight. Ensure that the handle is in the off position.

Open the drain. Turn on the main supply and check for leaks. Repair as needed.

Remove the aerator(40) by key(39). Remove handshower(33). Open valve and run water through the spout about one minute to remove any debris. Switch to handshower to remove any debris.

Turn the valve off. Reinstall the aerator and handshower.

### CLEANING INSTRUCTIONS

All Finishes: Clean the finish with mild soap and warm water. Wipe entire surface completely dry with clean soft cloth. Many cleaners may contain chemicals, such as ammonia, chlorine, toilet cleaner etc. which could adversely affect the finish and are not recommended for cleaning.

Do not use abrasive cleaners or solvents on Kohler faucets and fittings.