

76696T-B4 3 Hole Deck Mount Bath Faucet With Handshower(Mini)

BEFORE YOU BEGIN

All information is based on the latest product information available at the time of publication. Kohler Co. reserves the right to make changes in product characteristics, packaging, or availability at any time without notice. Please leave these instructions for the consumer. They contain important information.

NOTES:

1. Flush the water supply pipes thoroughly to remove debris.
2. Inspect the supply tubing for damage. Replace as necessary.
3. Observe local plumbing codes.
4. If possible, install this faucet before installing the bath.
5. The minimum inlet water pressure for the diverter is 0.05MPa(0.5bar).
6. The highest working pressure for handshower & showerhead is 0.5MPa(5bar). If it exceeds 0.5MPa(5bar), a pressure reducer is needed. The highest water and environment temperature is 60°C. Please keep handshower, showerhead and shower arm away from heater, or it may become damaged and cause injury to the user.

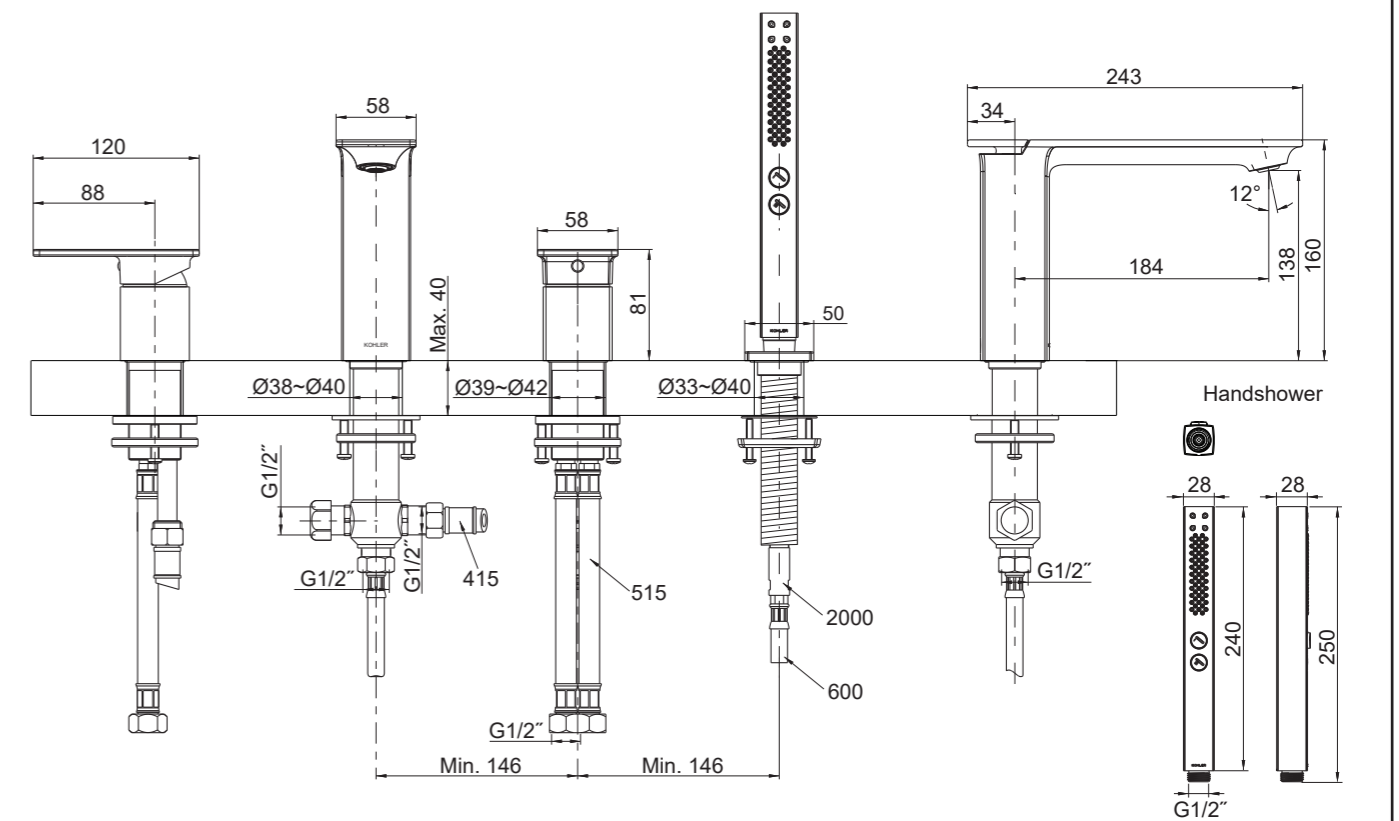
STANDARD APPLICABLE

Special model meets or exceeds the following at date of manufacture: TIS

HANDLE OPERATION

Lift the handle gently. Turn clockwise for hot water, turn counter-clockwise for cold water. Water flows out from spout when diverter is in the normal position and it's diverted to handshower when the diverter knob is lifted.

ROUGH-IN DIMENSIONS



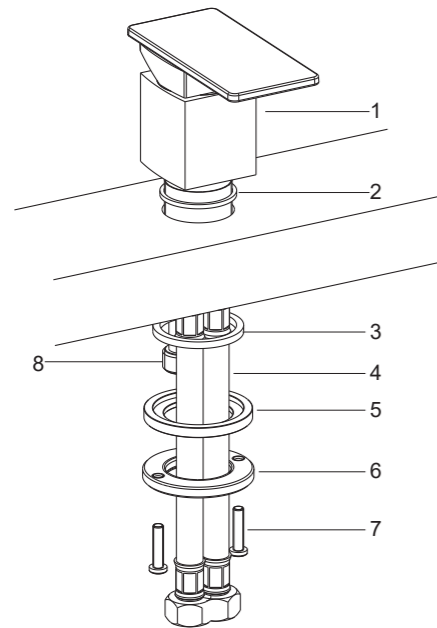
INSTALLATION

How to Install the Handle Kit

Put the washer(2) into the handle kit(1) bottom, fit the handle with hoses(4) kit to the hole of the bath tub.

Put the washer(3) into the washer(5). Ensure the screws(7) in the mounting ring(6). From underside of the bath tub, install the washers and mounting ring. Position the handle kit so that the handle forwards. Tighten the screws(7) by screwdriver.

Attach the hoses to the water supplies. The hose with "COLD" mark should be connected to cold water.



①

How to Install the Spout

Put the ring(9), washer(10) and washer(11) to the lower location of the diverter kit(12). Slide the o-ring(13) into the bottom groove of the nut(14).

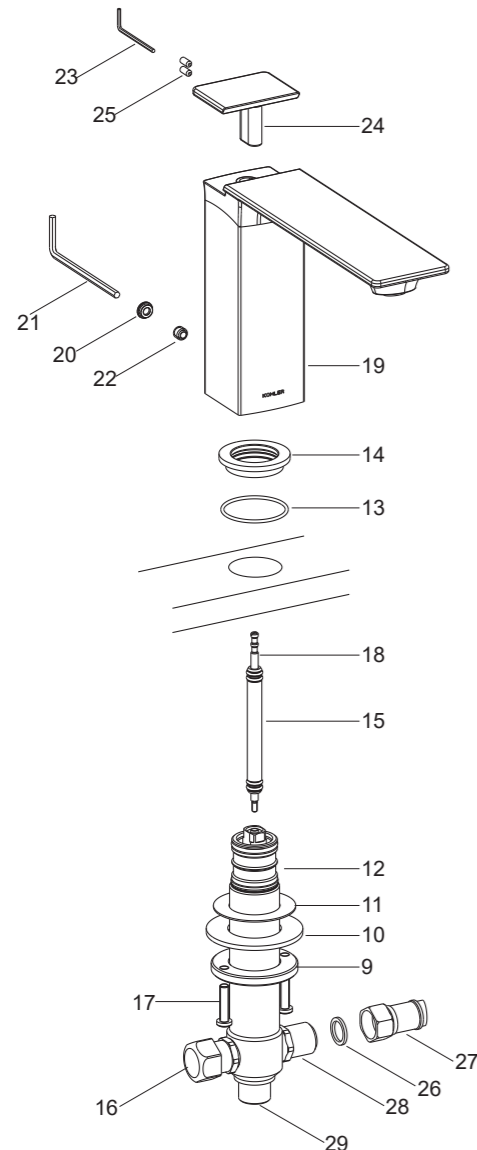
From underside of the bath tub, insert the diverter kit into the hole of bath tub and put out it as much as possible. Make sure the diverter tube(15) with four o-rings is installed to the diverter. Tighten the nut(14) with o-ring onto the diverter kit. Position the diverter kit so that the nut(16) is on the left. Tighten the screws(17) to secure the diverter kit.

Slide the lift rod(18) to the diverter tube(15). Install the lift rod to the diverter.

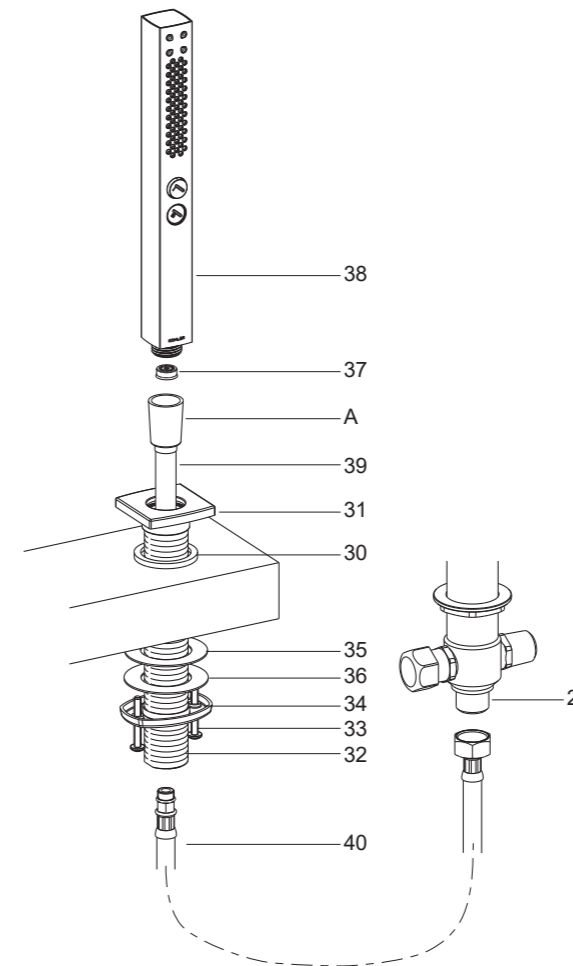
Remove the plug(20) from the spout kit(19), unscrew the setscrew(22) with hex wrench(21). Insert the spout kit into the diverter kit, position the spout kit so that the spout points to the front. Tighten the setscrew with hex wrench, install the plug.

Unscrew the setscrews(25) of the diverter knob(24) with hex wrench(23). Slide the knob onto the lift rod(18), tighten the setscrews with hex wrench to fix the diverter knob.

Install the washer(26) into the connector of hose(27), then connect the connector(8) of the handle kit and the connector(28) of diverter kit with the hose.



②

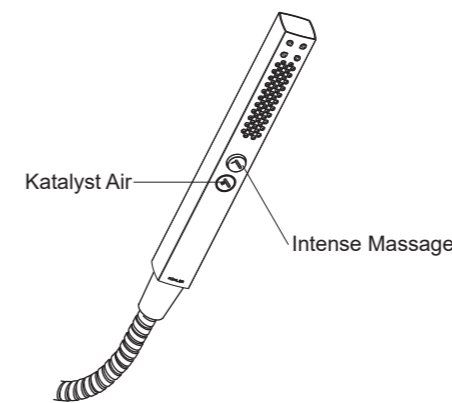


How to Install the Handshower

Put the washer(30) into the bottom groove of the escutcheon(31). Tighten the escutcheon with washer on the shank(32), and then insert the shank into the mounting hole.

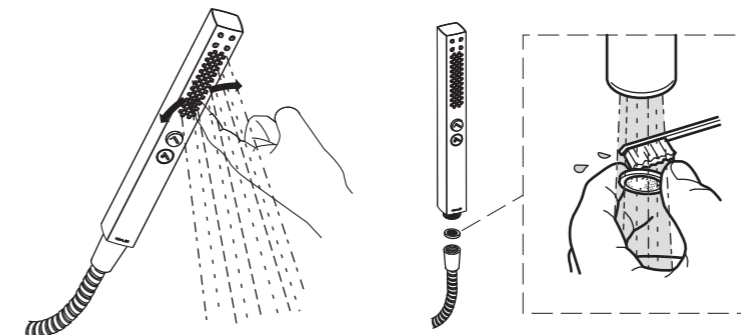
Pre-install the screws(33) into the screw holes of the threaded ring(34). From underside, install the fiber washer(35), steel washer(36) and threaded ring to the shank. Position the escutcheon so that the straight sides are perpendicular to the finished wall. Tighten the screws.

Install regulator(37) into the handshower (38) if needed. Connect the connector(A) of the hose(39) to the handshower, connect the other end to the hose(40), then connect to the connector(29) of the diverter kit.



How to Operate the Handshower

Press the buttons of the handshower to change the water flow.

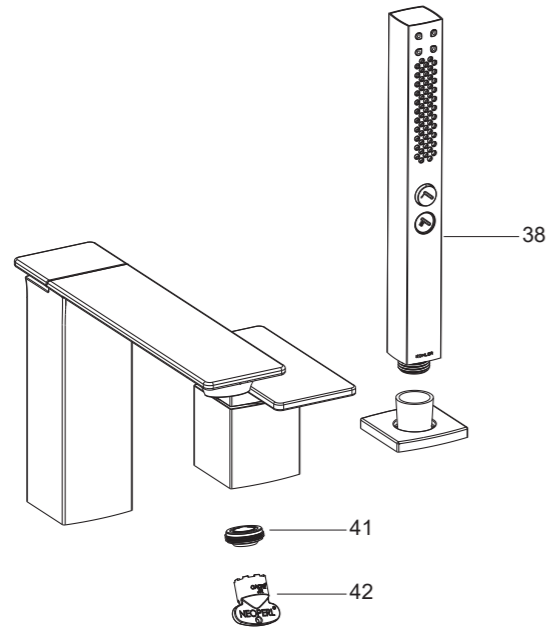


How to Maintain the Handshower

Any debris or mineral build-up may cause the flow stream to become distorted or reduce the flow rate. To remove the debris or mineral build-up, run water through the handshower, firmly press or rub your finger back and forth across the rubber nozzles.

Remove and clean the screen washer.

INSTALLATION CHECKOUT



Ensure that all coupling nuts are tight.
Ensure that the handle is in the off position.

Turn on the drain and main water supply, and check for leaks. Repair as needed.

Remove the aerator assembly(41) with the key(42) provided. Turn on faucet handle. Run hot and cold water through spout for about one minute to remove any debris.

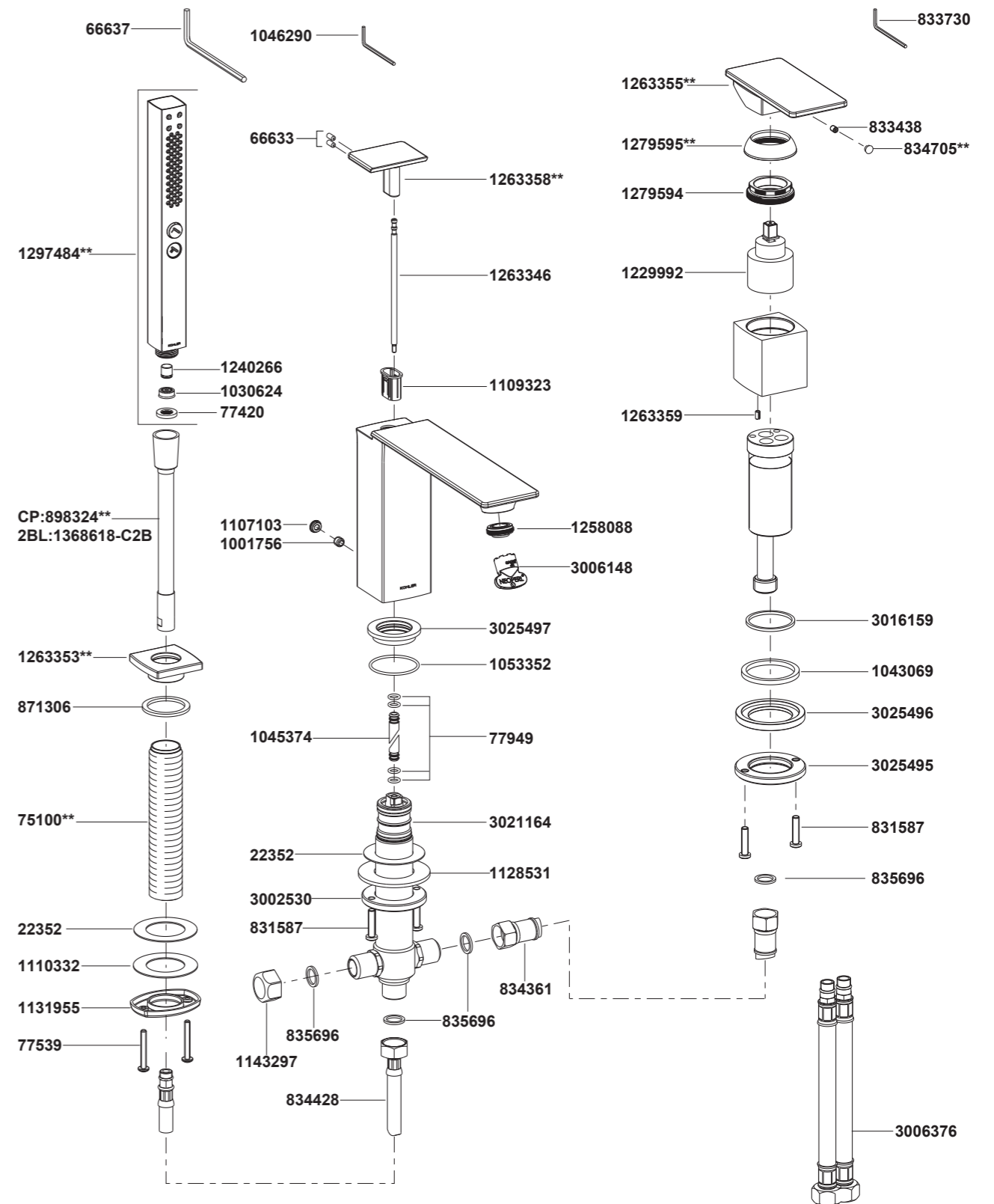
Remove the handshower(38). Switch to handshower. Run hot and cold water through hose for about one minute to remove any debris. Check for leaks at this time. Shut off the faucet. Reinstall the aerator and handshower.

CLEANING INSTRUCTIONS

All Finishes: Clean the finish with mild soap and warm water. Wipe entire surface completely dry with clean soft cloth. Many cleaners may contain chemicals, such as ammonia, chlorine, toilet cleaner etc. which could adversely affect the finish and are not recommended for cleaning.

Do not use abrasive cleaners or solvents on Kohler faucets and fittings.

76696T-B4 3 Hole Deck Mount Bath Faucet With Handshower(Mini)



**Color code must be specified when ordering.

NOTE: For all Asia pacific regions (excluding China) add SP (SPxxxxxx**) in front of the part number when ordering.