

BEFORE YOU BEGIN

- Please read these instructions carefully to familiarize yourself with the required tools, materials, and installation sequences. Follow the sections that pertain to your particular installation. This will help you avoid costly mistakes. In addition to proper installation, read all operating and safety instructions.
- All information in these instructions is based upon the latest product information available at the time of publication. Kohler China reserves the right to make changes in product characteristics, packaging, or availability at any time without notice.
- These instructions contain important care, cleaning, and warranty information-**please leave instructions for the consumer.**
- Before installation carefully inspect the new fixture for any signs of damage.
- The product complies with GB/T10357.4-2013, GB/T10357.5-2013 and GB24977-2010.

安装之前

- 请仔细阅读本指引,以便熟悉所需工具、物料及安装程序。请遵照适用的章节来安装本产品,以免安装失当导致不必要的损失。除了有关正确的安装方法之外,还务请详阅所有操作及安全指引。
- 本指引所载之一切资料,均以印刷时所有之最新产品情况为基础,科勒中国保留权利随时更改产品特性、包装或供应情况,恕不另行通知。
- 说明书包括重要的安装、清洁及保养方面的内容,请把这些资料交给用户阅读,保管。
- 安装之前,仔细检查产品是否有损伤。
- 本产品符合 GB/T10357.4-2013、GB/T10357.5-2013 和 GB24977-2010。

ORDERING INFORMATION

This installation covers the following products in the ELOSIS mirrored cabinet range:

ELOSIS Mirrored Cabinet1526.....	K-24658T
ELOSIS Mirrored Cabinet2026.....	K-24657T
ELOSIS Mirrored Cabinet2526.....	K-24656T
ELOSIS Mirrored Cabinet3026.....	K-24655T
ELOSIS Mirrored Cabinet3526.....	K-24654T

订购信息

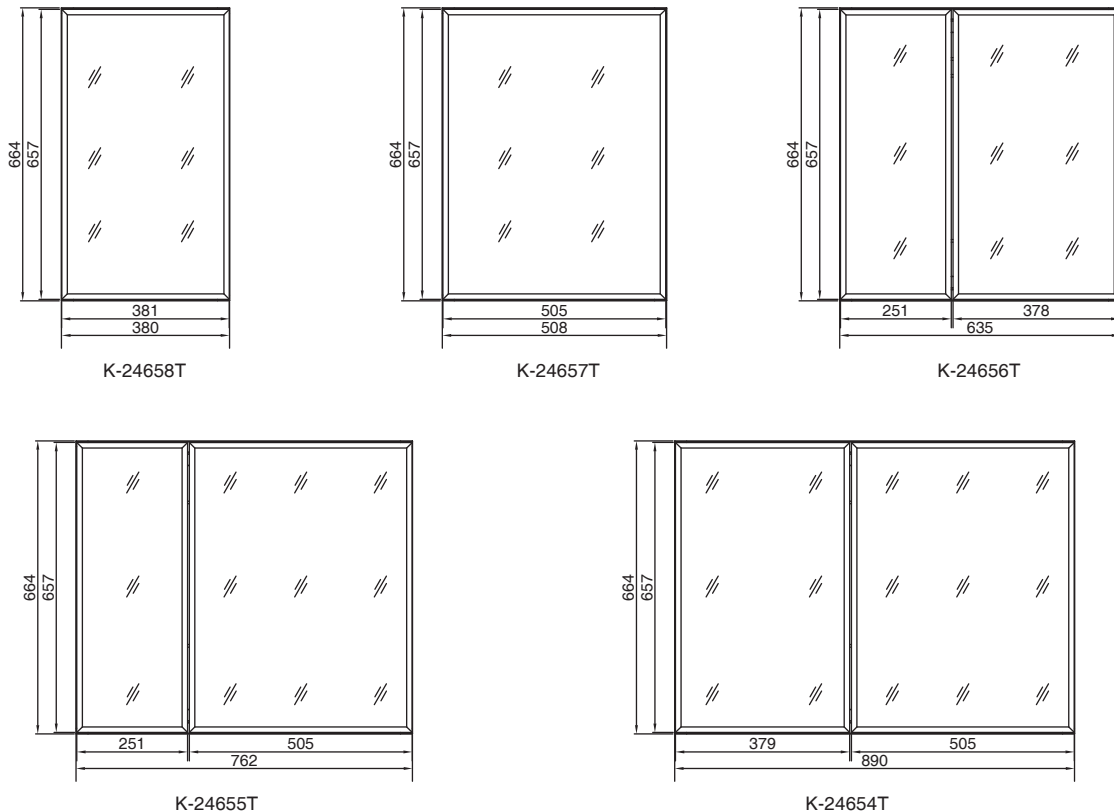
此安装说明书适用于以下艾洛诗镜柜系列家具的安装:

艾洛诗镜柜 1526.....	K-24658T
艾洛诗镜柜 2026.....	K-24657T
艾洛诗镜柜 2526.....	K-24656T
艾洛诗镜柜 3026.....	K-24655T
艾洛诗镜柜 3526.....	K-24654T

ROUGHING-IN

尺寸图

Reference Value
参考值



Kohler reserves the right to change marked dimensions without prior notice.
科勒公司保留随时变更图中标示尺寸的权利,无需另行通知。

PARTS

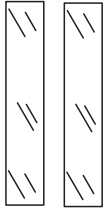
Parts supplied with your cabinet. (For cabinet body and door replacement, call customer service with model number.) Be sure to check the cardboard supports in the carton, glass parts are packed in them.

配件

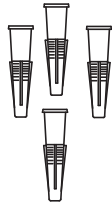
浴柜附有零件(柜身及门的补换请致电客服部门并告知型号),请仔细检查包装箱。

ZHONGSHAN KOHLER SHOWER CO., LTD. NO13-1, XINGYE ROAD, ZHONGSHAN TORCH DEVELOPMENT ZONE, ZHONGSHAN, GUANGDONG, CHINA POST CODE: 528437
中山科勒卫浴有限公司 广东省中山市中山火炬开发区兴业路 13-1 号 邮编: 528437

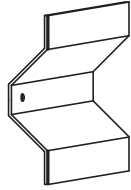
PARTS BELOW ARE USED WITH ALL CABINETS.
以下所列零件适用于所有款式的浴柜。



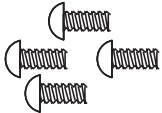
Side Aluminum Plate
侧铝板



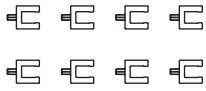
Wall Anchors
爆炸胶钉



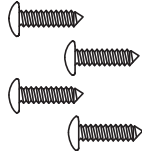
4 Side Kits Brackets
4只侧镜支架



#8 X 3/8" Side Kits Screws
#8 X 3/8" 侧镜安装螺丝



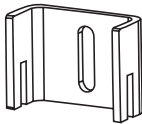
Snap-in Pins
嵌入式层板架



#8 X 1 1/2" Phillips Head Screws
#8 X 1 1/2" 圆头螺钉



Screws Caps S, W
S,W 螺丝盖



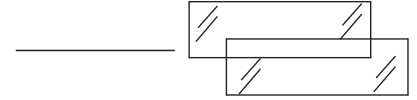
Top Clips
顶扣

ONE DOOR CABINET-Part list 单门浴柜-零件单

11" Mounting Bar for
K-24658T/K-24657T
280 毫米承托条
K-24658T/K-24657T



2 Glass Shelves
K-24658T/K-24657T
2只玻璃层板
K-24658T/K-24657T

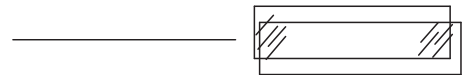


TWO DOOR CABINET-Part list 双门浴柜-零件单

Mounting Bar for
K-24656T (530mm)
K-24655T (660mm)
K-24654T (787mm)
承托条
K-24656T (530mm)
K-24655T (660mm)
K-24654T (787mm)



2 Glass Shelves
K-24656T
K-24655T
K-24654T
2只玻璃层板
K-24656T
K-24655T
K-24654T



INSTALLATION

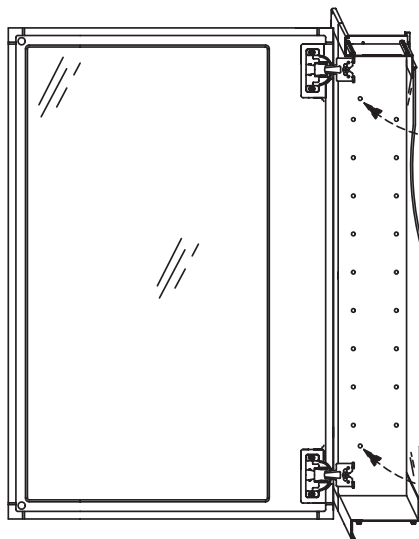
NOTE

All steps are for all cabinets unless noted. (*)

- For recess mount see instructions below
- For surfaces mount instructions see step 2
- A surface mounted cabinet requires the optional Side Aluminum Plate supplied with your cabinet.

1. Recessing the cabinet into the wall

A. The Vertical installation changes the width of the roughout. Please refer to the picture below.



安装

注意

除特别标明 (*) 外，以下安装步骤适用于所有浴室柜。

- 嵌入式安装请见以下说明。
- 挂墙式安装请见说明书第二步开始的说明。
- 挂墙式浴柜需配置侧铝板 (已随产品附送)。

1. 嵌入式浴柜的安装

A. 安装需不同的墙壁孔架宽度。请参阅下图。

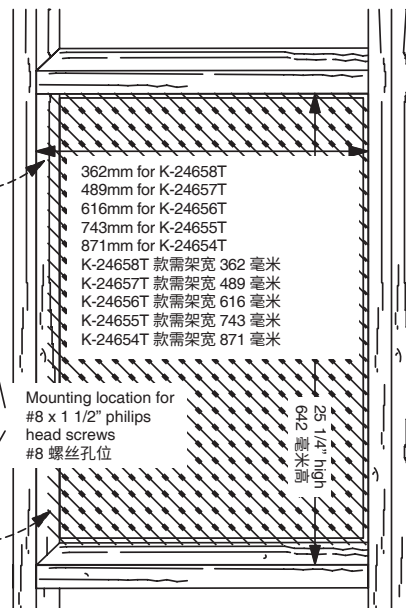


Fig. 1 图 1

B. Install screws through holes in cabinet as shown in Fig. 2

Note: DO NOT OVER-TIGHTEN! Use #8 x 1 1/2 Phillips head.

B. 按图 2 所示将螺丝装入浴柜的螺丝孔中。

注意: 不可拧得太紧，以免滑牙！使用 #8 圆头螺钉。

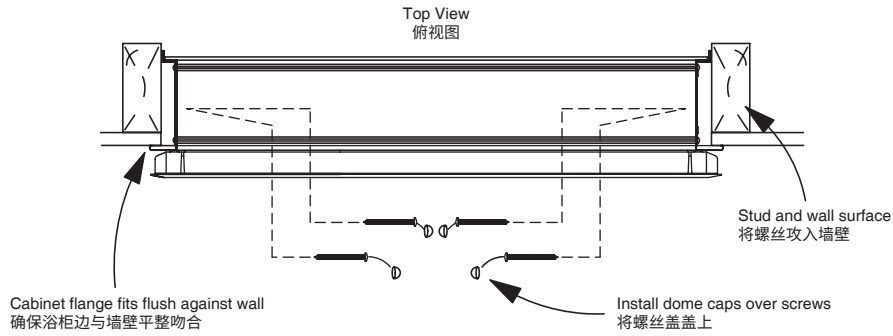


Fig. 2 图 2

2. Surface-Mount Installation

Note: When installing by oneself, please remove the door before cabinet installation and re-fix the door after cabinet installation.

A. Install mounting bar.

Refer to Fig. 3 for single-door installation.
Refer to Fig. 4 for double-door installation.

2. 挂墙式浴柜的安装

注意: 一人安装时，将门卸下来安装柜体，然后再安装门。

A. 安装浴室柜承托条

单门浴室柜承托条安装参见图 3
双门浴室柜承托条安装参见图 4

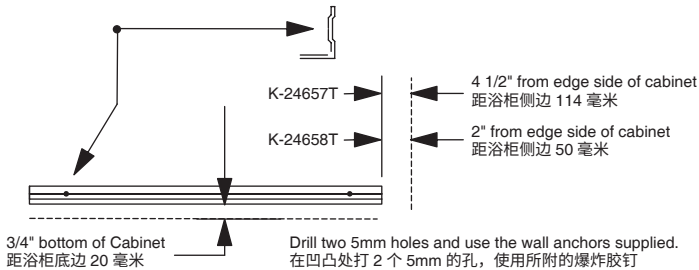


Fig. 3 图 3

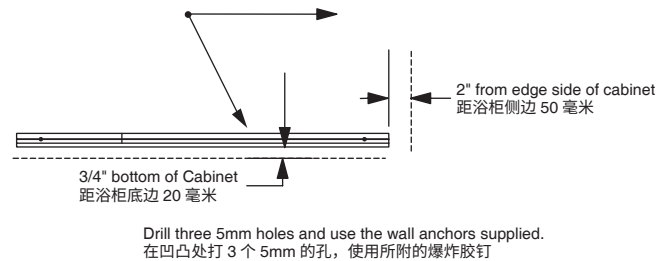


Fig. 4 图 4

Notes: Drill 1/4 hole in wall for mounting bar anchors at locations shown in Fig. 3. (If you do not use the anchor, drill a 3/32 pilot hole.) After the holes are drilled, fit the mounting bar onto the wall, refer to Fig. 3 for measurements, and Fig. 5 for information on anchor cinching.

注意事项: 如图 3 承托条所示位置在墙壁上钻 7 毫米的孔再上爆炸胶钉（如果您不用爆炸胶钉，钻 2 毫米大小的孔。）钻好孔后，参照图 3 的尺寸装好浴柜承托条，并按图 5 旋紧螺丝。

B. Install Top Clips

(Left and right top clips come connected, hold both clips and snap them apart).

- 1) Fit cabinet into position on mounting bar as shown in Fig. 7A.
- 2) Place clip in position as shown in Fig. 7B and mark with a pencil. Remove clip and cabinet and drill the pilot or anchor holes where marked.
- 3) Fix both the clips into position with a screw, and slide the clip into the up position. Sit the cabinet on the mounting bar, then lower and tighten the screws into place, as shown in Fig. 7C.
- 4) See Fig. 8 for proper turns required for anchor cinching.
- 5) See Fig. 10 for Side Aluminum Plate application.

B. 安装顶扣

(左右两粒扣是连在一起的，使用前请分开)。

- 1) 如图 7A 所示将浴柜上到承托条上。
- 2) 按图 7B 所示放好顶扣固定位，再用铅笔划线。放开顶扣按划线位置钻孔。
- 3) 如图 7C 所示，用螺丝将两粒顶扣固定，并移到上方位。将浴柜放于承托条上，然后放下顶扣，打紧螺丝。
- 4) 按图 8 要求旋紧螺丝。
- 5) 参照图 10 的说明安装侧铝板。

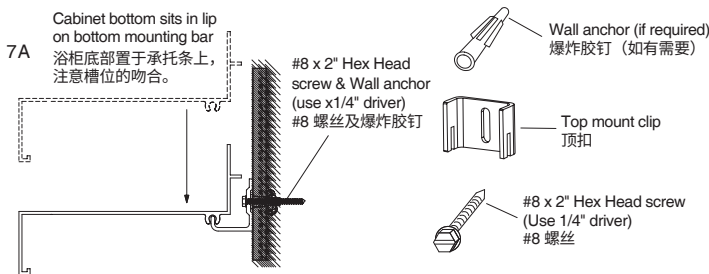


Fig. 5 图 5

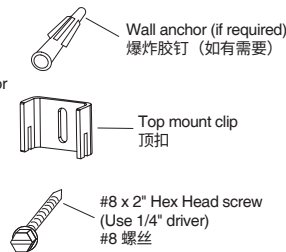


Fig. 6 图 6

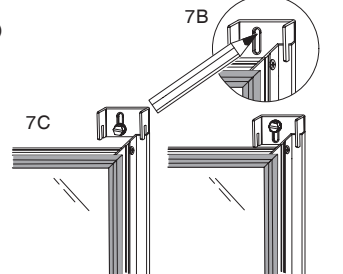


Fig. 7 图 7

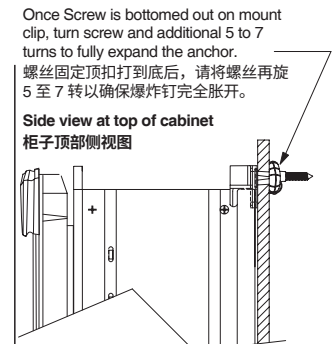


Fig. 8 图 8

3. Attaching Side Aluminum Plate to a Surface Mounted Cabinet

A. Apply foam tape to Side kit bracket

- 1) Peel tape from sheet, leave liner on.
- 2) Apply as shown to side kit brackets, be sure they are clean and dry.
- 3) **DO NOT PEEL RELEASE LINER UNTIL YOU HAVE TEST FIT THE SIDE ALUMINUM PLATE ON THE CABINET!**

- B. Attach the side kit brackets to the cabinet as shown in Fig. 10
- C. Test fit the side kits, then clear the back of the side aluminum plate with rubbing alcohol.
- D. Peel the release tape from the brackets and apply the side aluminum plate, push firmly to set.
- E. Cover the screw heads with the screw caps.

3. 挂墙式浴柜侧铝板的安装

A. 侧镜支架贴双面胶。

- 1) 撕下双面胶，保留面纸。
- 2) 按图示贴于侧镜支架上，贴之前确保支架是干燥清洁的。
- 3) **在确定侧铝板与浴柜吻合之前请不要撕开面纸!**

- B. 如图 10 所示安装侧镜支架。
- C. 试装一下是否吻合，再用酒精将侧铝板背面擦干净。
- D. 撕开支架上的双面胶面纸，贴上侧铝板并按紧。
- E. 用螺丝头盖盖上螺丝头。

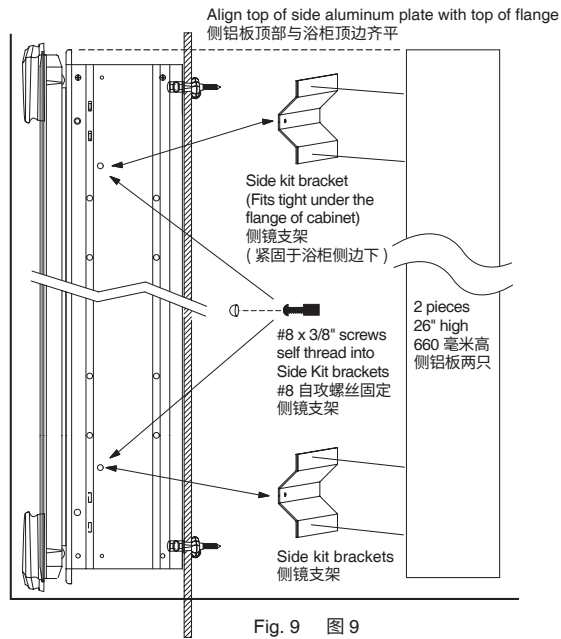


Fig. 9 图 9

4. Door adjustments

Note: BELOW FOR 1 & 2 DOOR CABINET ONLY*

- A. This screw releases the door from the cabinet and allows up and down adjustment. Fig. 12.
- B. These screws allow you to plumb the door as shown in Fig. 13.
- C. The screws you use for attaching the hinges. (Supplied with hinges)

4. 门的调整

注意: 以下只适用于单门及双门浴柜*

- A. 此螺丝松开可将门卸下，并可作上下的位置调整，如图12所示。
- B. 这些螺丝松开可将门作如图13所示的左右的位置调整。
- C. 安装门铰所用的螺丝。(随门铰附送)

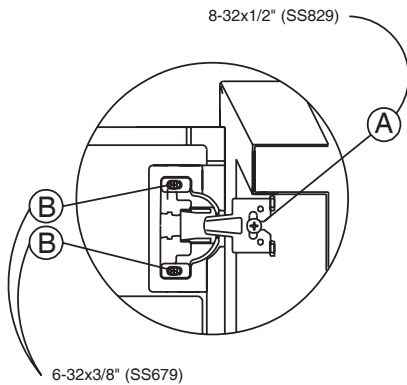


Fig. 10 图 10

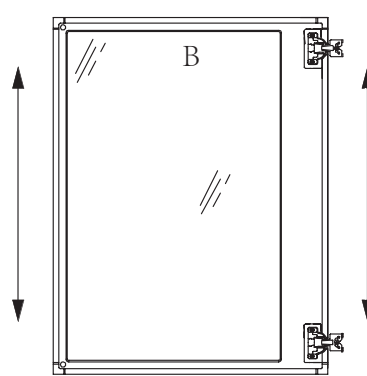


Fig. 11 图 11

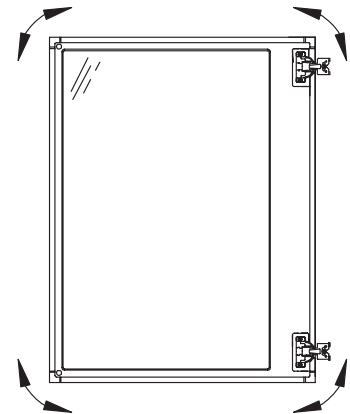


Fig. 12 图 12

5. Installing the shelves- see Fig. 14

A. Push/twist the pins into place

- 1) Push the shelf into the clips
- 2) Push the glass into the shelf

5. 安装玻璃层板 - 见图 14

A. 装层板支架

- 1) 将支架插入框架层板孔内。
- 2) 将层玻插入支架。

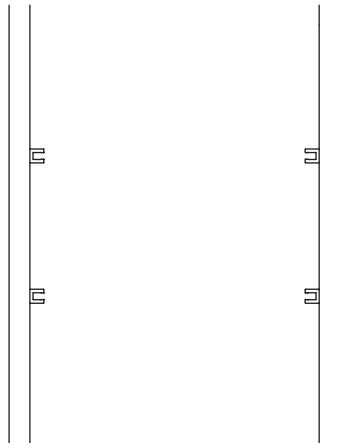


Fig. 13 图 13

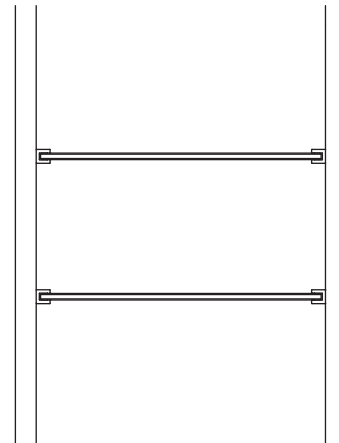


Fig. 14 图 14