

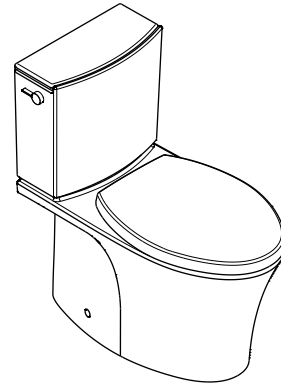
Features

- Vitreous china
- Elongated bowl
- Includes polished chrome trip lever
- Class Five+ dual flush system
- 3/4.5 liter per flush
- 305 mm rough-in for S-trap
- 718 x 382 x 755 mm

Codes/Standards Applicable

- Specified model meets or exceeds the following:
- ASME A112.19.2/CSA B45.1

TWO-PIECE TOILET WITH SEAT K-1666K



Technical Information

Fixture:	
Configuration	Two-piece, Elongated
Water per flush	3/4.5 liter
Passageway	47 mm
Water area	210 x 155 mm
Water depth from rim	165 mm
Seat post hole centers	140 mm

Included Components:	
Bowl	K-1660K-**
Tank	K-1664K-**
Tank cover	1364676X-SP-**
Saile quiet-close toilet seat for K-1666K-S-**	K-4141X-2P-**
Veil slim quiet-close toilet seat (Double injection) for K-1666K-SL-**	K-77070K-**
Reach slim quiet-close toilet seat for K-1666K-SLM-**	K-77471K-**

Installation Notes

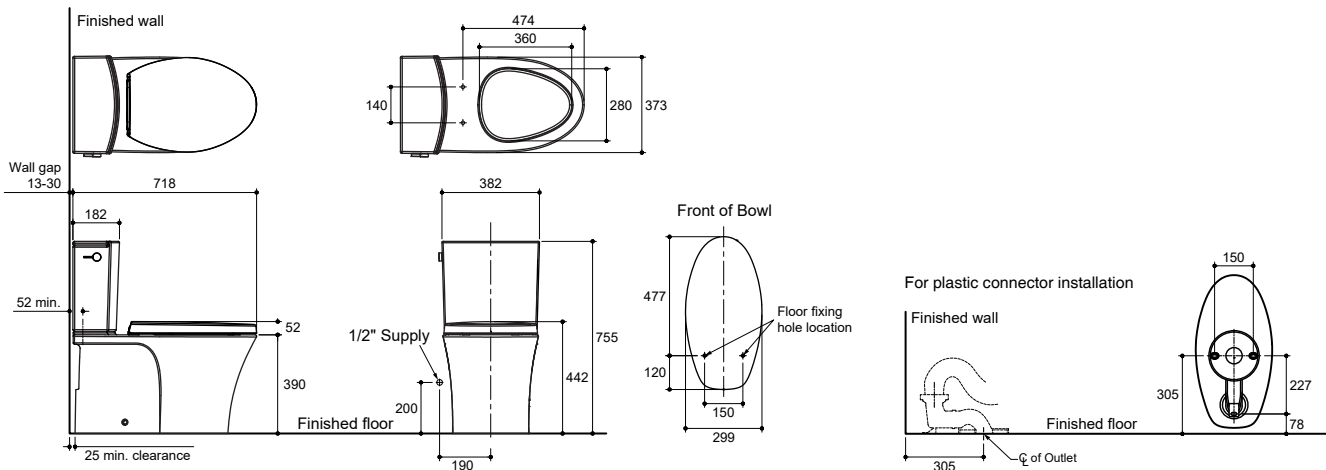
Install this product according to the installation guide.

Specified Model

Model	Description	Color/Finishes
K-1666K-S	Veil two-piece toilet, S-Trap with quiet-close toilet seat	0: White
K-1666K-SL	Veil two-piece toilet, S-Trap with slim quiet-close toilet seat (double injection)	0: White
K-1666K-SLM	Veil two-piece toilet, S-Trap with slim quiet-close toilet seat	0: White

Dimensions are approximate. (do no direct measure a dimensional from the object below)
Unit: mm

This diagram shown with K-4141X-2P seat



Note: The recommended dimension for installation can be adjusted according to user preferences and layout.
Kohler Co. reserves the right to make changes in product characteristics, packaging, or availability at anytime without notice.

Product Diagram