

KALLISTA® Pinna Paletta® Freestanding Bath Faucet

FEATURES

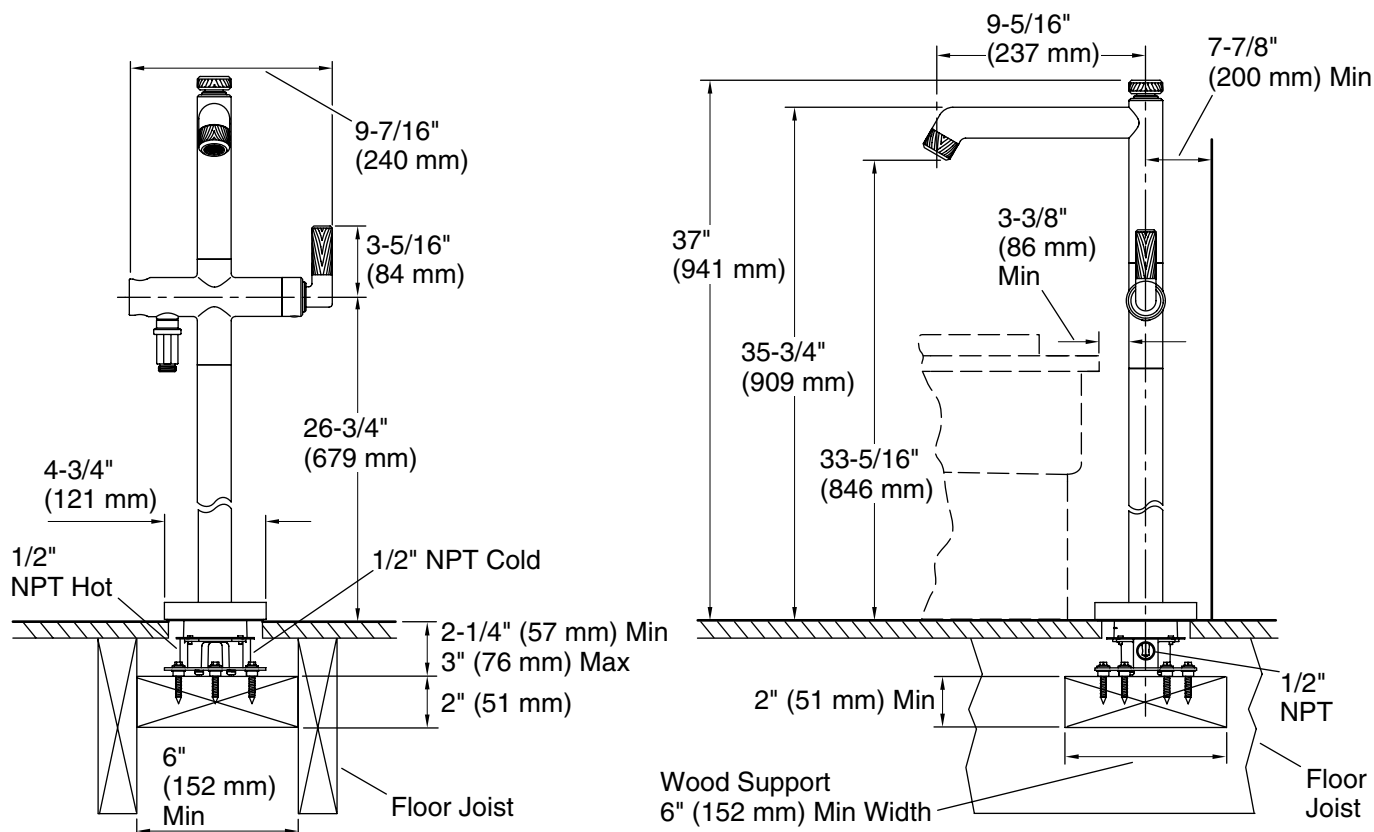
- Solid brass construction for durability and reliability
- Single lever handle allows for both ON/OFF activation and temperature setting
- Floor-mount installation
- 9-5/16" (237 mm) spout reach
- 8 gal/min (30 l/min) flow rate
- Integral valve
- Includes hardware kit and escutcheon
- Complements the Pinna Paletta collection

CODES/STANDARDS APPLICABLE

Specified model meets or exceeds the following:

- ASME A112.18.1/CSA B125.1
- ASSE 1014

P24977



SPECIFIED MODEL

Model	Description	Finishes
P24977-CPH	Pinna Paletta Freestanding Bath Faucet w/Polished Chrome Accent	<input type="checkbox"/> CP Polished Chrome
P24977-SNW	Pinna Paletta Freestanding Bath Faucet w/Polished Nickel Accent	<input type="checkbox"/> SN Polished Nickel
P24977-ULB	Pinna Paletta Freestanding Bath Faucet w/Unlacquered Brass Accent	<input type="checkbox"/> ULB Unlacquered Brass
Required Accessories		
P20511-00	Multi-Faucet Mounting Block	<input type="checkbox"/> NA

We reserve the right to make revisions without notice in the design of products or in packaging unless this right has specifically been waived at the time the order is accepted.