

77990T-4	杆型把手
77990T-8/8MU	柱型把手
77990T-9	轮型把手
77963T-8A	推控式圆形把手

安装之前

所有的资料是按最新出版的产品资料编写而成。科勒公司保留任何时候不经通知即可改变产品特性、包装或产品可供类型的权利。

说明书包括重要的安装、保养及清洁方面的内容，请把这些资料交给用户阅读。

注意事项：

- 一定要先彻底冲洗供水管以清除管道中的杂质。
- 检查供水管有无损坏和漏水。如需要，进行替换和维修。
- 遵守当地管路安装条例。
- 切断供水管路。
- 77990T-4/8/9可搭配脸盆龙头出水嘴77965T, 77966T, 23887T, 77967T, 77968T & 77969T和浴缸龙头出水嘴77985T, 77986T & 77987T。
- 77990T-8MU可搭配脸盆龙头出水嘴77967T-MU, 77968T-MU & 77969T-MU和浴缸龙头出水嘴77985T-BL, 77986T-BL & 77987T-BL。
- 77963T-8A可搭配脸盆龙头出水嘴77965T, 77966T, 23887T, 77967T, 77968T & 77969T。
- 安装尺寸、服务零件、清洗说明等信息，详见出水嘴说明书1287329-T2。

BEFORE YOU BEGIN

All information is based on the latest product information available at the time of publication. Kohler Co. reserves the right to make changes in product characteristics, packaging, or availability at any time without notice.

Please leave these instructions for the consumer. They contain important information.

NOTES:

- Flush the water supply pipes thoroughly to remove debris.
- Inspect the supply tubing for damage and leakage. Replace and maintain as necessary.
- Observe local plumbing codes.
- Shut off the water supplies to the fitting.
- 77990T-4/8/9 should match with lavatory faucet spout 77965T, 77966T, 23887T, 77967T, 77968T & 77969T and bath faucet spout 77985T, 77986T & 77987T.
- 77990T-8MU should match with lavatory faucet spout 77967T-MU, 77968T-MU & 77969T-MU and bath faucet spout 77985T-BL, 77986T-BL & 77987T-BL.
- 77963T-8A should match with lavatory faucet spout 77965T, 77966T, 23887T, 77967T, 77968T & 77969T.
- For detailed information (rough-in dimensions, service parts and cleaning instructions, etc.), please refer to installation instructions 1287329-T2.

使用说明

对于77990T-4，顺时针旋转右把手为开，逆时针旋转左把手为开。

对于77990T-8/8MU/9，顺时针旋转左把手为开，逆时针旋转右把手为开。

对于77963T-8A，面对水龙头，轻轻向前推动把手打开龙头，向红标方向推动为热水，向蓝标方向推动为冷水。

HANDLE OPERATION

For 77990T-4, right handle open with turning clockwise, left handle open with turning counter-clockwise.

For 77990T-8/8MU/9, left handle open with turning clockwise, right handle open with turning counter-clockwise.

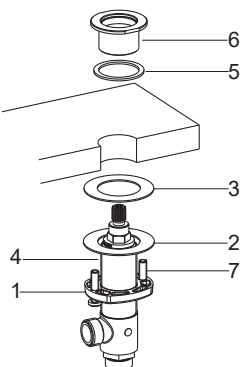
For 77963T-8A, When facing front of the faucet, gently push the handle forward to open the faucet, the red dot direction is for hot water and the blue dot is for cold water.

安装步骤

如何安装把手组件(77990T)

依次将安装环(1)、钢垫(2)和垫片(3)装在阀体组件(4)上。从台面下方将阀体组件装入安装孔(注：带红色标志的阀体组件装在左侧)。将垫片(5)装到底座螺母(6)底部凹槽中，将底座螺母旋到阀体组件上。

根据软管安装需要，适当调整阀体出水口朝向。拧紧螺钉(7)以固定安装环。



INSTALLATION

How to Install the Handle Kit (77990T)

Put the threaded rings(1), steel washers(2) and washers(3) onto the side bodies(4). Insert the side bodies into mounting holes from underside. **NOTE:** The side body with red mark should be installed on the left. Put the washers(5) into the groove of the nuts(6). Thread the nuts onto the side bodies.

Adjust the outlet of side bodies to connect hoses easily. Secure the threaded rings by tightening screws(7).

水嘴77965T**, 77966T**, 77967T**, 77968T**施加的水效标识表明本产品的水效等级等性能符合GB 25501-2019《水嘴水效限定值及水效等级》的要求，是产品符合性的一种标识。

把手77963T-8A**, 77990T-4**, 77990T-8**, 77990T-9**分别与出水嘴77965T**, 77966T**, 77967T**, 77968T**搭配使用，详细水效备案信息见出水嘴77965T**, 77966T**, 77967T**, 77968T**。

确保阀芯和把手组件处于关闭位置。

Ensure the valves and handle kits are in the off position.

对于77990T-4/9

For 77990T-4/9

分别将77990T-4/9的把手组件(8, 9)旋紧到底座螺母(6)上。**注意:**带“H”标记的把手组件安装在左侧。

Screw the handle kits(8, 9) onto the nuts (6). **NOTE:** The handle kit with “H” should be installed on the left.

对于77990T-8/8MU

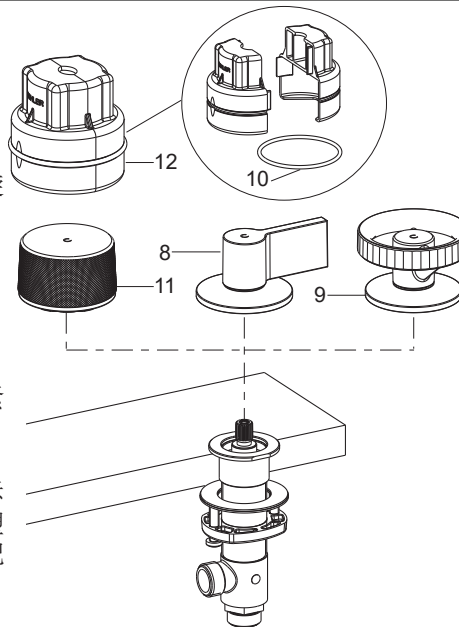
For 77990T-8/8MU

用把手工具(12)将把手组件(11)旋紧到底座螺母(6)上。

Screw the handle kit(12) onto the nut(11) with handle wrench(6).

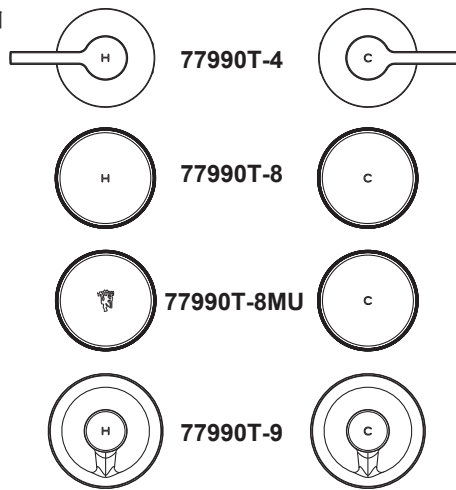
如图所示, 将把手工具从把手组件拆下: 先取出O型圈(10), 再将两个塑料件分开。**注意:**带“H”标记的把手组件安装在左侧。

Uninstall the handle wrench. Remove the O-ring(10), separate it into two parts as shown. **NOTE:** The handle kit with “H” should be installed on the left.



把手安装完毕处于关闭状态的位置如图所示。

The figure shown is the correct position of the handles in the closed position.



如何安装把手组件 (77963T-8A)

How to Install the Handle Kit (77963T-8A)

将垫片(14)装入把手组件(13)底部凹槽中, 将带有垫片的把手组件插入台面安装孔中, 调整把手, 使把手上的红点在左边, 蓝点在右边。

Install the washer(14) into the groove of the handle kit(13). Insert the handle kit with washer to the mounting hole. Adjust the handle. Ensure the handle with red dot is on the left side and blue dot on the right side.

从台面下方依次将垫片(16)、垫片(17)和安装环(18)装入本体(15), 旋上安装环, 锁紧螺钉(19)以固定把手组件。

From underside, slide the washer(16), washer(17) and threaded ring(18) to the body(15). Screw the threaded ring. Tighten the screws(19) to secure the handle kit.

将贴有红蓝点标签的两根软管(20)接到水源, 带有红点标签的软管接热水, 带有蓝点标签的软管接冷水。将另一根软管(21)连接出水嘴的T型接头, T型接头另一端装上带有垫片(22)的堵头(23)。

Attach the two hoses(20) to water supplies. Ensure the hose with red label should be connected to hot water, the hose with blue label should be connected to cold water. Connect another hose(21) and tee supply. Install the plug(22) with washer(23) to other end of tee supply.

