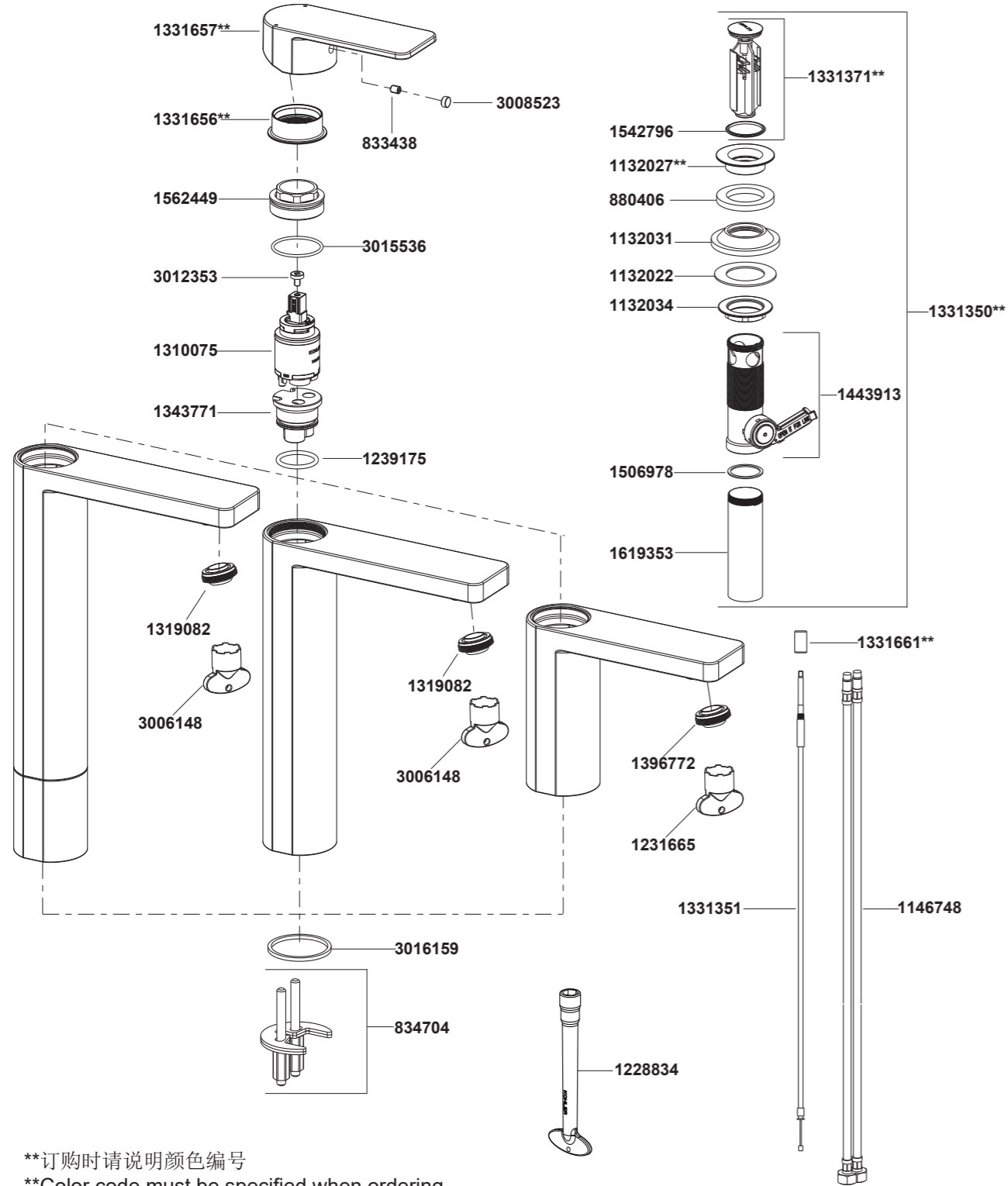


- 23472T-4E2 单把脸盆龙头
- 23475T-4E2 单把碗盆龙头
- 23478T-4E2 单把碗盆龙头(高出水口)



**订购时请说明颜色编号
**Color code must be specified when ordering

- 23472T-4E2 单把脸盆龙头
- 23475T-4E2 单把碗盆龙头
- 23478T-4E2 单把碗盆龙头(高出水口)

安装之前

所有的资料是按最新出版的产品资料编写而成。科勒公司保留任何时候不经通知即可改变产品特性、包装或产品可供类型的权利。

说明书包括重要的安装、保养及清洁方面的内容，请把这些资料交给用户阅读。

注意事项：

1. 一定要先彻底冲洗供水管以清除管道中的杂质。
2. 尽可能在安装脸盆之前安装水龙头。
3. 检查供水管有无损坏和漏水。如需要，进行替换和维修。
4. 遵守当地管路安装条例。
5. 切断供水管路。

BEFORE YOU BEGIN

All information is based on the latest product information available at the time of publication. Kohler Co. reserves the right to make changes in product characteristics, packaging, or availability at any time without notice.

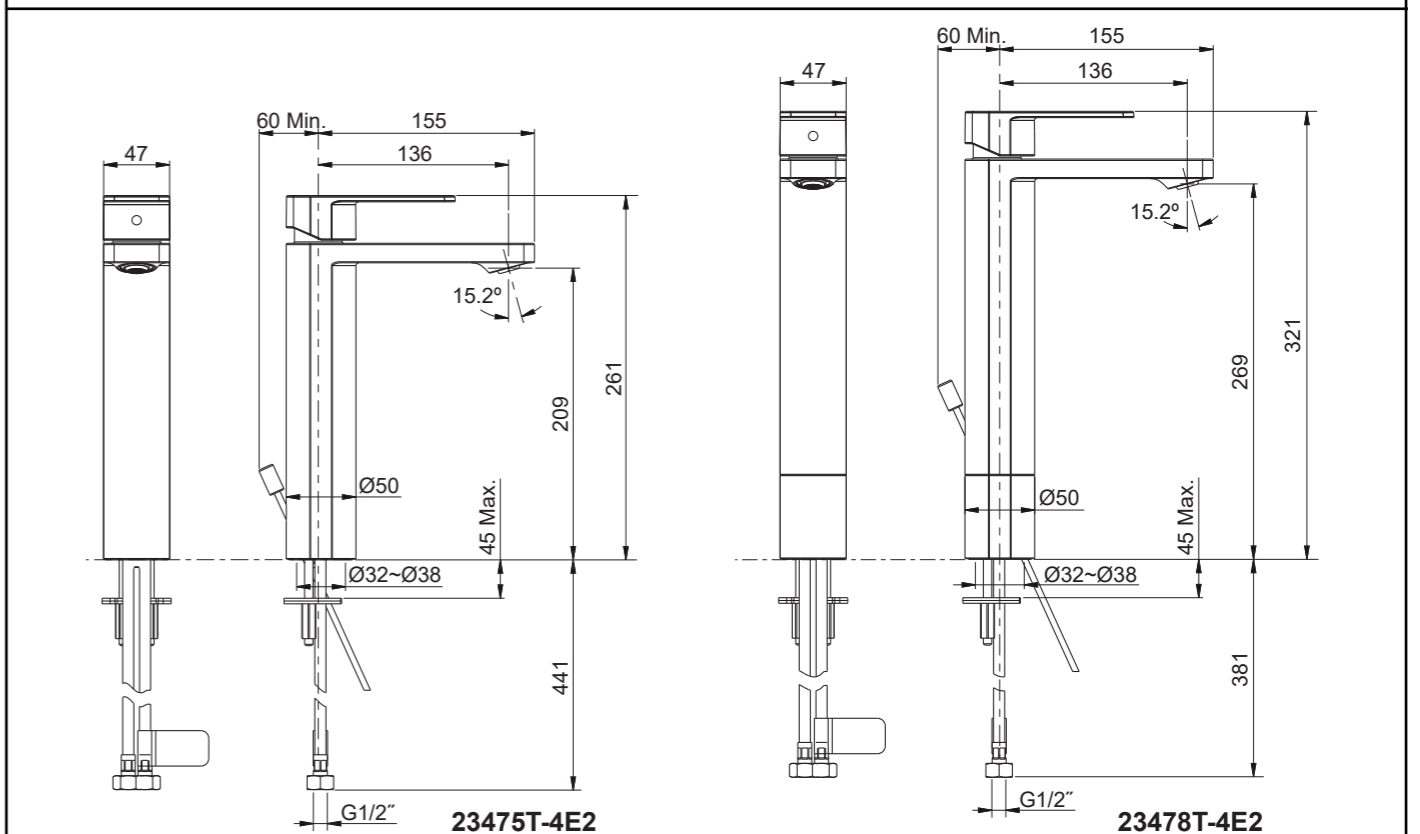
Please leave these instructions for the consumer. They contain important information.

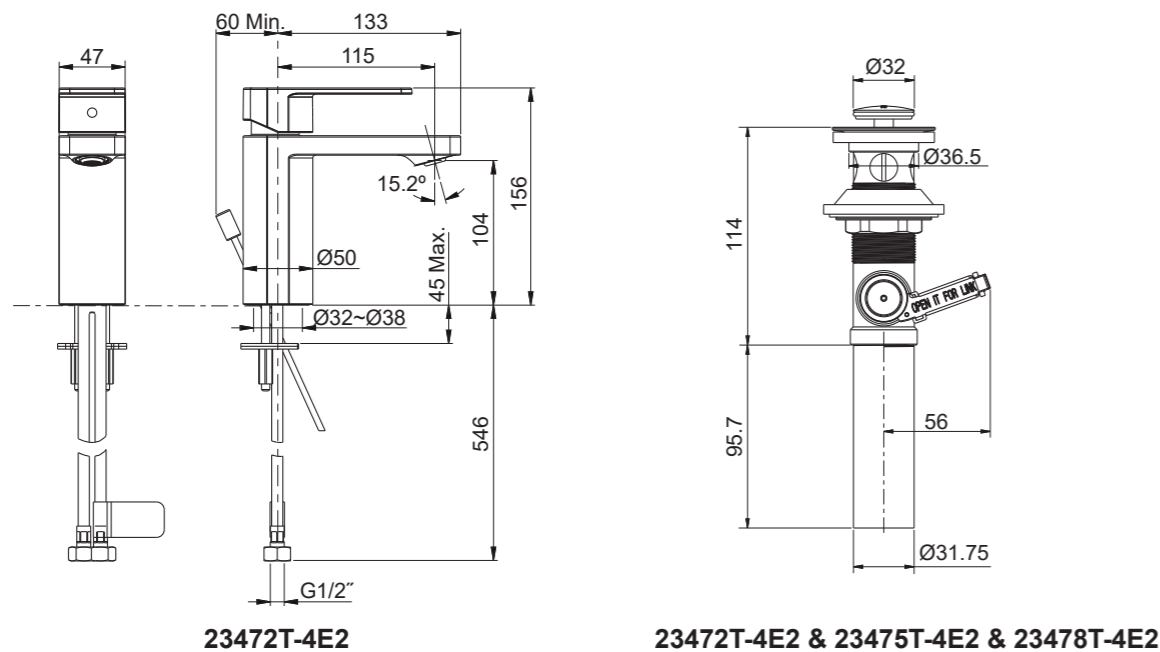
NOTES:

1. Flush the water supply pipes thoroughly to remove debris.
2. If possible, install this faucet before installing the lavatory.
3. Inspect the supply tubing for damage and leakage. Replace and maintain as necessary.
4. Observe local plumbing codes.
5. Shut off the water supplies to the fitting.

安装尺寸

ROUGH-IN DIMENSIONS





23472T-4E2

23475T-4E2 & 23478T-4E2

安装步骤

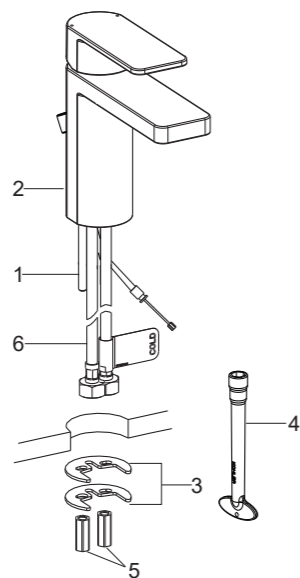
INSTALLATION

如何安装出水口

首先将固定螺栓(1)安装到水龙头(2)底部处。

将水龙头组件插入到脸盆的安装孔中，调整水龙头，从脸盆的下方把托架(3，橡胶垫片放在上面)套入固定螺栓，并用扳手(4)拧紧螺母(5)以固定水龙头。

把软管(6)接到水源，当您面对水龙头时左边为热水，右边为冷水，冷水管标有冷水(COLD)签。



How to Install the Spout

Install the mounting studs(1) onto the faucet body base(2).

Insert the faucet assembly into the lavatory hole. Position the faucet properly. From underside of the lavatory, place the washers(3, Rubber washer is on the top) onto the mounting studs, and tighten the nuts(5) with a wrench(4) to secure the faucet.

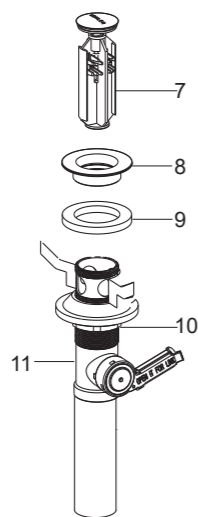
Attach the hoses(6) to water supplies. When facing front of the faucet, the left hose should be connected to hot water, the right hose with "COLD" label should be connected to cold water.

如何安装排水器

将止水塞(7)、法兰盘(8)及垫片(9)从排水本体(11)取下。把排水本体组件从脸盆下方插入排水孔中，调整至合适的位置，再将法兰盘(8)带垫片(9)旋到排水本体上。

用扳手拧紧排水本体上的锁紧螺母(10)。把止水塞(7)放入排水组件。

注意：如果需要，可直接在法兰盘底面沿周围涂一圈密封油灰，或其他密封剂，而不使用垫片(9)。



How to Install the Drain

Remove the stopper(7), flange(8) and washer(9) from drain body(11). Insert drain body through the drain hole from underside, and adjust the position properly. Screw the flange(8) with washer(9) onto drain body.

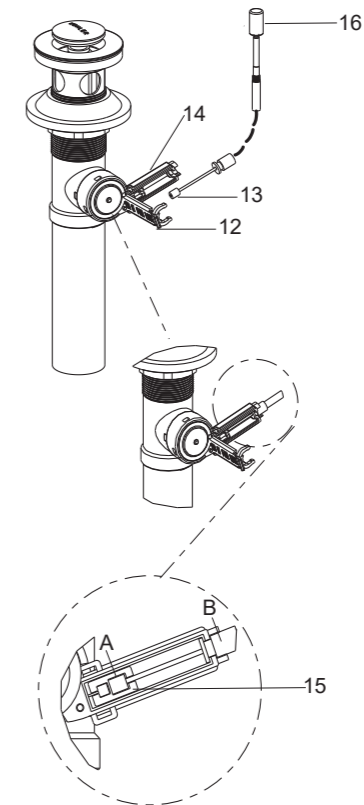
Tighten the locknut(10) on the drain body by wrench. Insert the stopper(7) into the drain assembly.

NOTE: If needed, apply a ring of plumbers putty around the underside of the drain flange, instead of using washer(9).

打开排水本体上的盖板(12)，将提拉线缆末端(13)嵌入拉线盒(14)内部的方孔(15)中。使其在拉线盒两端(A,B)卡到位，如下图所示。

然后用手扣紧盖板(12)。装好后请拉动提拉头(16)，确保其正常工作。

注意：在锁紧螺母拧紧后，如法兰盘使用密封油灰，则不可以调整排水本体的位置，否则会破坏油灰密封的密封性。同时去除多余油灰。



Open the coverplate(12) on the drain body, and insert cable end(13) into the square hole(15) of cable box(14). Make sure the cable is properly buckled at both ends(A, B) of the cable box as the figure shown.

Lock the coverplate(12), and verify the lift rod(16) on the faucet is linked correctly with the drain body through the cable.

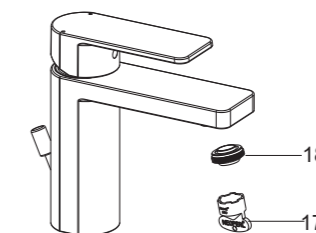
NOTE: Do not reposition the drain if plumbers putty applied after the locknut is tightened, or you may break the putty seal. Wipe away excess plumbers putty.

安装结果检查

INSTALLATION CHECKOUT

检查并确保所有的衔接螺母都已拧紧，确保把手在关闭位置。打开排水器和主要供水源，检查并修理有漏水的接口。

用工具(17)拆下起泡器组件(18)。打开水龙头冷热水，让水流出约一分钟以清除杂质。冲洗起泡器组件，关闭水龙头，重新装回起泡器组件。



Ensure that all connections are tight. Ensure that the handle is in the off position. Turn on the drain and main water supply, and check for leaks. Repair as needed.

Remove the aerator kit(18) by tool(17). Turn on the faucet. Run hot and cold water through the faucet for about one minute to remove any debris. Remove any debris from the aerator kit. Shut off the faucet. Reinstall the aerator kit.

使用说明

HANDLE OPERATION

轻轻提起把手，顺时针旋转把手为热水，逆时针旋转把手为冷水。

Lift the handle gently. Turn clockwise for hot water, turn counter-clockwise for cold water.

清洗说明

CLEANING INSTRUCTIONS

适用于所有加工处理过的表面：以中性肥皂水清洗镀层表面，再以干净的软布彻底擦干整个表面，许多清洁剂，比如氨水、去污粉及洁厕灵等，会对电镀表面造成伤害，切忌使用。

有磨损性的清洁用具或清洁剂也不可适用于科勒牌的水龙头及其配件上。

All Finishes: Clean the finish with mild soap and warm water. Wipe entire surface completely dry with clean soft cloth. Many cleaners may contain chemicals, such as ammonia, chlorine, toilet cleaner etc. which could adversely affect the finish and are not recommended for cleaning.

Do not use abrasive cleaners or solvents on Kohler faucets and fittings.