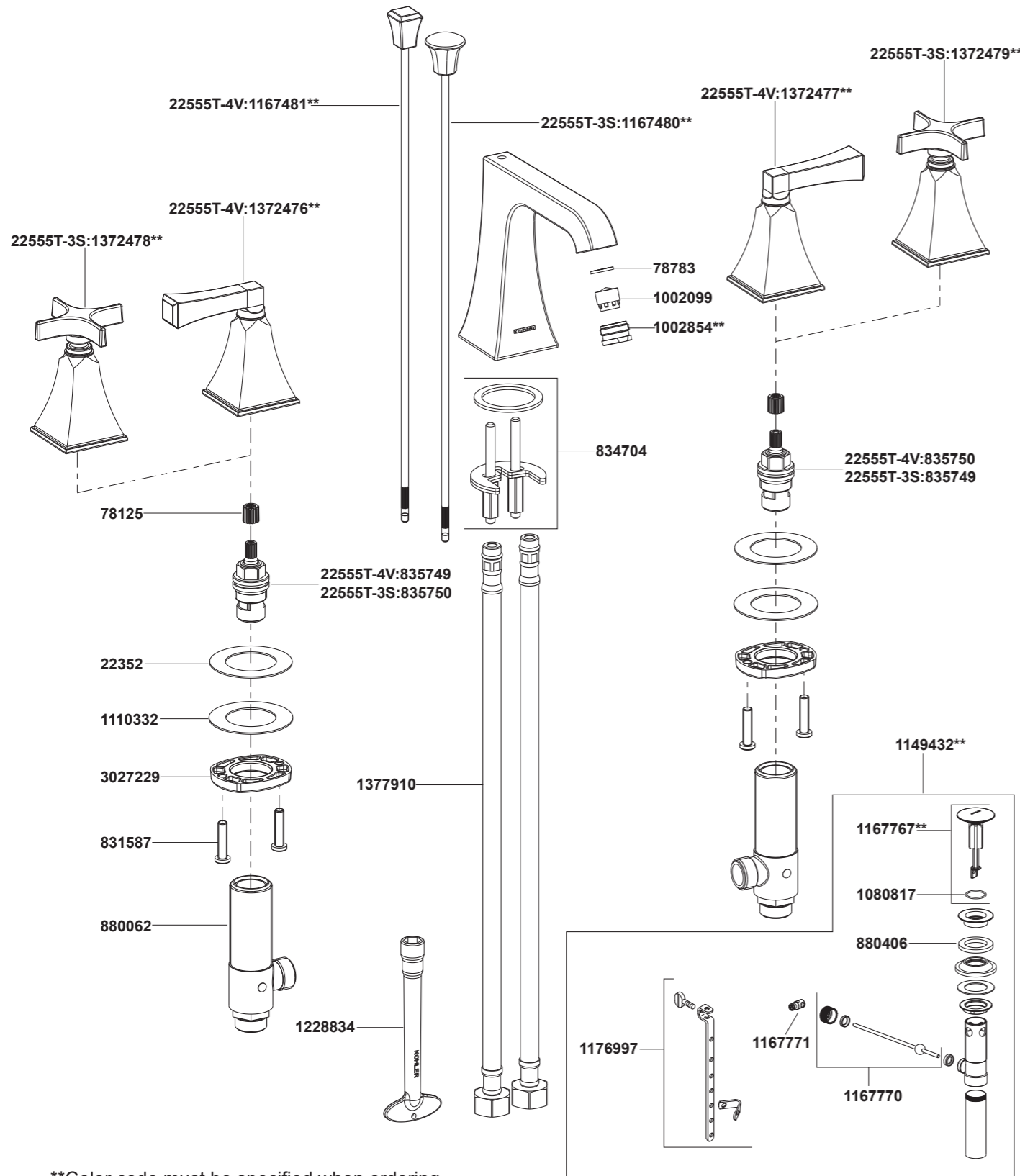


22555T-4V Widespread Lavatory Faucet (Tall Spout) -Lever
 22555T-3S Widespread Lavatory Faucet (Tall Spout) -Cross



**Color code must be specified when ordering.

22555T-4V Widespread Lavatory Faucet (Tall Spout) -Lever
 22555T-3S Widespread Lavatory Faucet (Tall Spout) -Cross

BEFORE YOU BEGIN

All information is based on the latest product information available at the time of publication. Kohler Co. reserves the right to make changes in product characteristics, packaging, or availability at any time without notice. Please leave these instructions for the consumer. They contain important information.

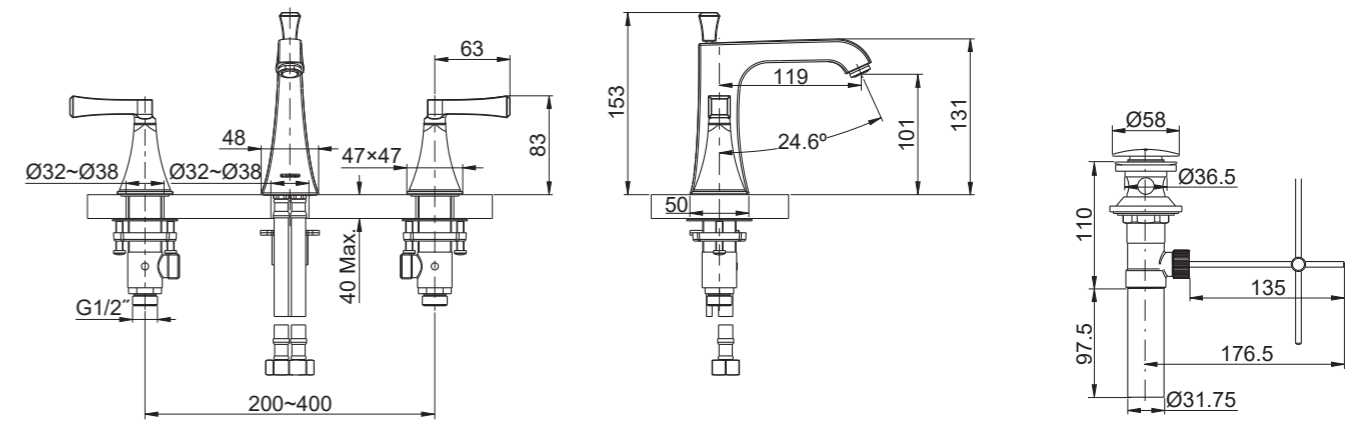
NOTES:

1. Flush the water supply pipes thoroughly to remove debris.
2. If possible, install this faucet before installing the lavatory.
3. Inspect the supply tubing for damage and leakage. Replace and maintain as necessary.
4. Observe local plumbing codes.
5. Shut off the water supplies to the fitting.

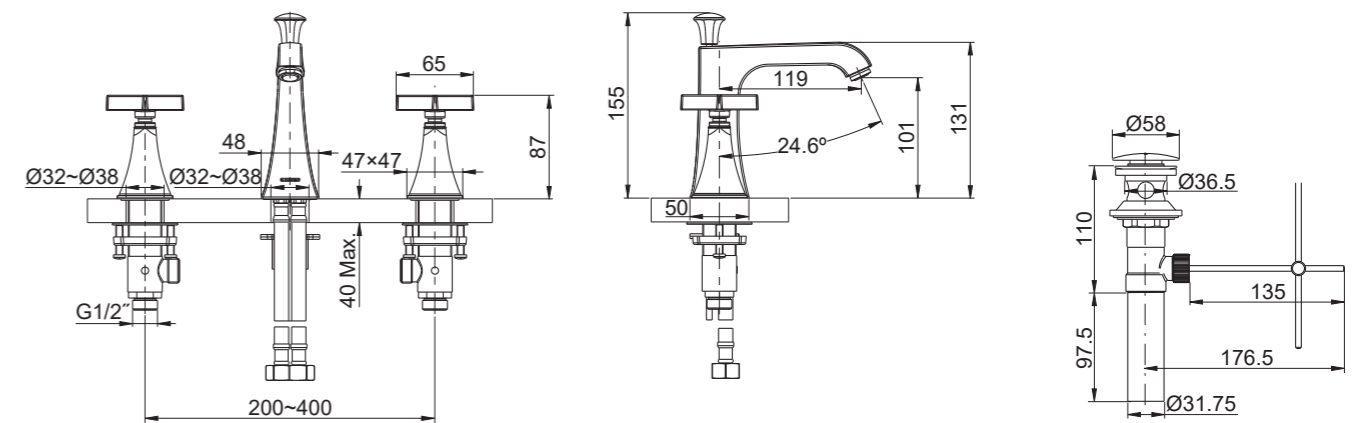
HANDLE OPERATION

For 22555T-4V, left handle opens with turning counter-clockwise, right handle opens with turning clockwise.
 For 22555T-3S, left handle opens with turning clockwise, right handle opens with turning counter-clockwise.

ROUGH-IN DIMENSIONS



22555T-4V



22555T-3S

INSTALLATION

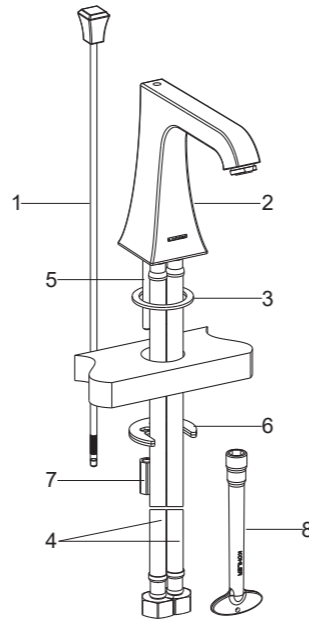
How to Install the Spout

Insert the lift rod(1) into the top hole of the spout(2).

Put the washer(3) into the bottom groove of the spout through the hoses(4), lift rod and studs(5). Insert the hoses, lift rod and studs into the central hole of the lavatory.

Position the spout and keep it frontwards.

From underside of the lavatory, fit the washers(6, rubber washer is on the top) onto the studs. Screw the nuts(7) onto the studs. Tighten the nuts with tool(8) to secure the spout.



How to Install the Valve Bodies and Handles

Ensure the washer(9), steel washer(10) and threaded ring(11) on each valve body(12).

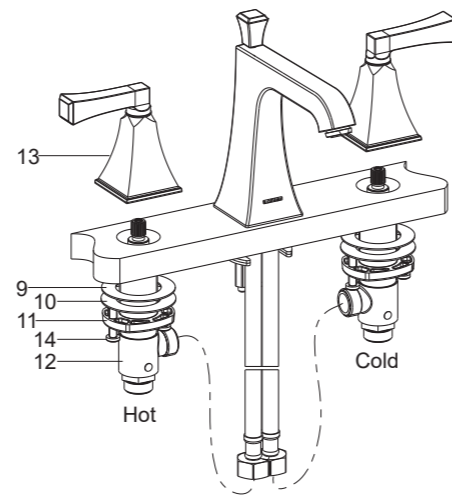
Ensure the valves are in the off position. From the underside of the lavatory, install the valve bodies into the mounting holes. **NOTE:** The valve body with red mark should be installed on the left side.

Adjust the outlets of the valve bodies to connect hoses easily. Tighten the handle kits(13) onto the valve bodies from the upside of the lavatory.

NOTE: The handle kit with red washer should be installed on the left side. Secure the valve bodies by tightening screws(14).

Attach the hoses(4) to the valve bodies. Connect the valve bodies to the hot and cold water supplies.

The illustration in installation checkout shows the correct position of the handles in the off position.

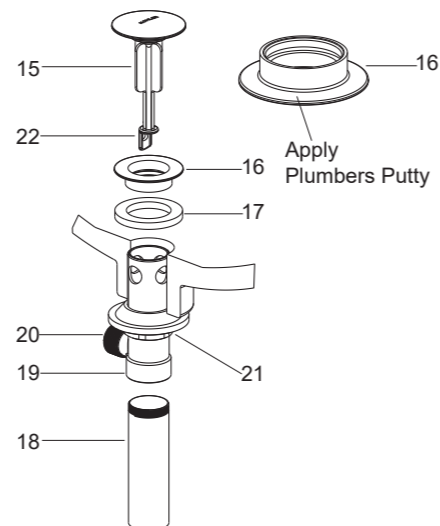


How to Install the Drain

Remove the stopper(15), flange(16), washer(17) and tailpiece(18) from drain body(19). Supply enough tape or sealant to tailpiece thread. Reinstall the tailpiece. Insert drain body kit into the lavatory from underside, and make sure the drain lever hole(20) facing to the back of the lavatory. Screw the flange with washer into the drain body. Tighten the locknut(21) by hand from the underside of the lavatory.

NOTE: If needed, apply a ring of plumbers putty around the underside of the drain flange(16), instead of using washer(17).

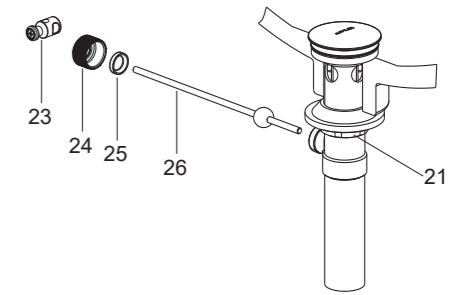
Place the stopper(15) into drain body aligning the flat side of stopper hole(22) with the drain lever hole.



Remove the latch(23) and retaining nut(24). Fit the plastic washer(25) and retaining nut onto the ball lever(26). Insert the ball lever assembly into the drain lever hole and through the stopper hole. Tighten the retaining nut.

Be sure that the ball lever(26) points to the back of the lavatory, tighten the locknut(21) on the drain body with wrench.

NOTE: Do not reposition the drain if plumbers putty applied after the locknut is tightened, or you may break the putty seal. Wipe away excess plumbers putty.



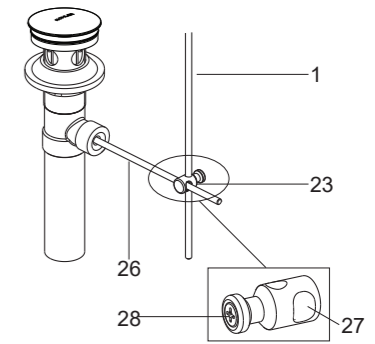
How to Install the Lift Rod Kit

Select the connection of the drain and lift rod according the dimension of the lavatory.

Way 1: Select the latch(23)

Insert the ball lever(26) into the bigger hole(27) of the latch(23). Insert the lift rod(1) into the other hole of the latch.

Push the ball lever(26) down to the open position. Tighten the screw(28) on the latch.

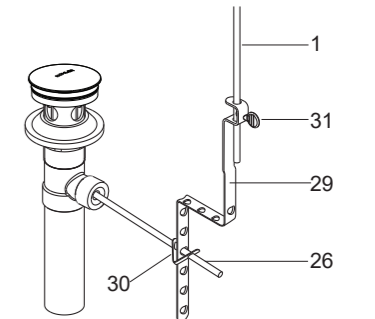


Way 2: Select the link kit(29, 30 & 31).

According to the lift rod length, bend the link(29).

Connect the link onto ball lever(26) with "V" clip(30). Slide the lift rod(1) into the hole of the link.

Push the ball lever(26) down to the open position. Tighten thumb screw(31).



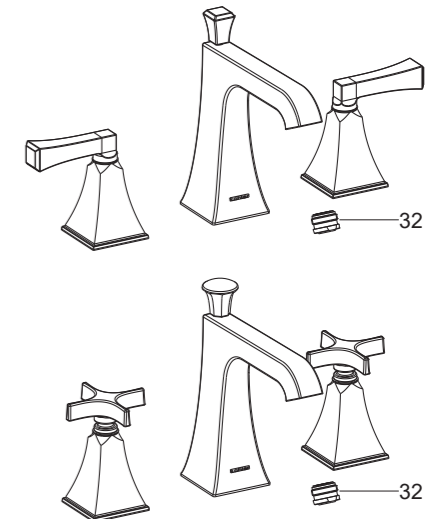
INSTALLATION CHECKOUT

Ensure that all coupling nuts are tight.

Ensure that the handles are in the off position.

Turn on the main water supply and drain, and check for leaks. Repair as needed.

Remove the aerator kit(32). Run hot and cold water through faucet for about one minute to remove any debris. Remove any debris from the aerator. Shut off the faucet. Reinstall the aerator.



CLEANING INSTRUCTIONS

All Finishes: Clean the finish with mild soap and warm water. Wipe entire surface completely dry with clean soft cloth. Many cleaners may contain chemicals, such as ammonia, chlorine, toilet cleaner etc, which could adversely affect the finish and are not recommended for cleaning.

Do not use abrasive cleaners or solvents on Kohler faucets and fittings.