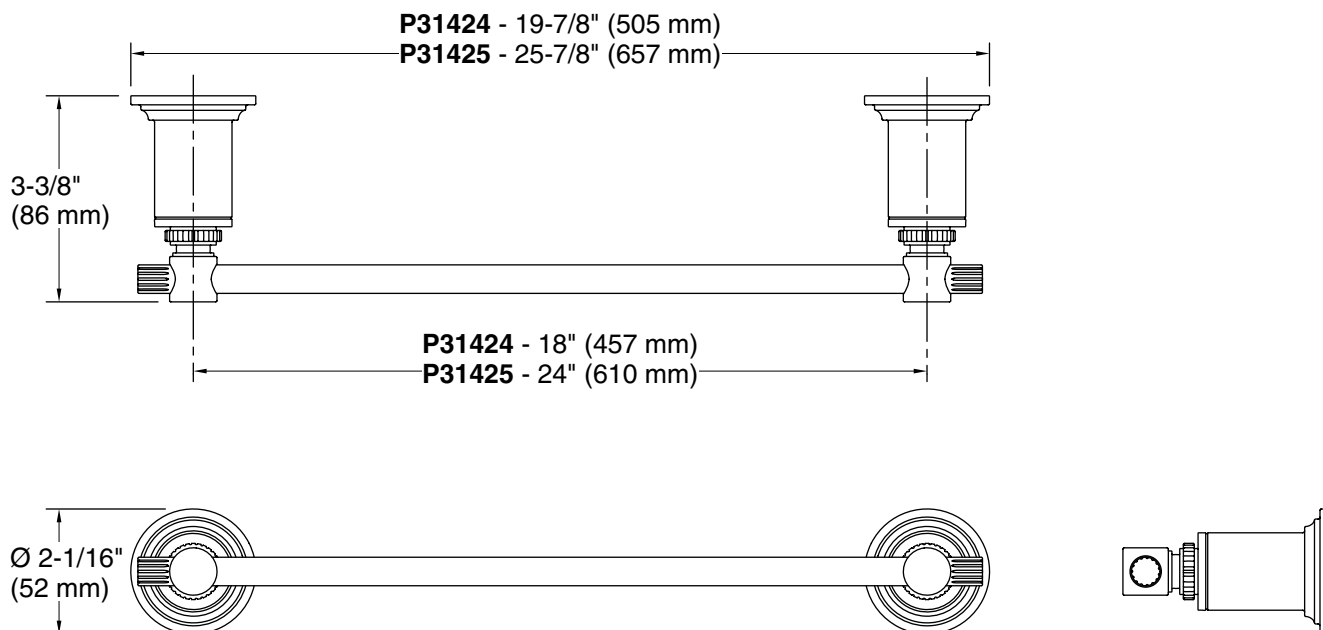


FEATURES

- Brass construction for durability and reliability
- Includes hex wrench for installation
- Unlacquered Brass (ULB): available only in North America and United Kingdom
- Complements the Central Park West collection

P31424

P31425



SPECIFIED MODEL					
Model	Description	Finishes			
P31424-00	Central Park West Towel Bar, 18"	<input type="checkbox"/> CP Polished Chrome	<input type="checkbox"/> SN Polished Nickel	<input type="checkbox"/> ULB Unlacquered Brass	<input type="checkbox"/> BV Brushed Bronze
P31425-00	Central Park West Towel Bar, 24"	<input type="checkbox"/> CP Polished Chrome	<input type="checkbox"/> SN Polished Nickel	<input type="checkbox"/> ULB Unlacquered Brass	<input type="checkbox"/> BV Brushed Bronze

We reserve the right to make revisions without notice in the design of products or in packaging unless this right has specifically been waived at the time the order is accepted.