

#### Features

- Acrylic and reinforced with fiberglass
- Freestanding seamless design
- Includes pop-up drain and overflow
- 1705 x 758 x 612 mm

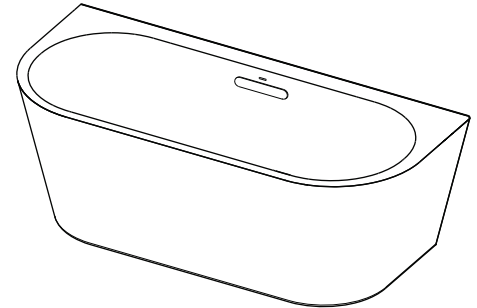
#### Codes/Standards Applicable

Specified model meets or exceeds the following:

- ANSI Z124.1.2
- TIS 2141-2546
- JC/T 779

#### Installation Notes

Install this product according to the installation guide.  
Floor support under bath must provide for a minimum of 390 kg/square meter loading.



#### Technical Information

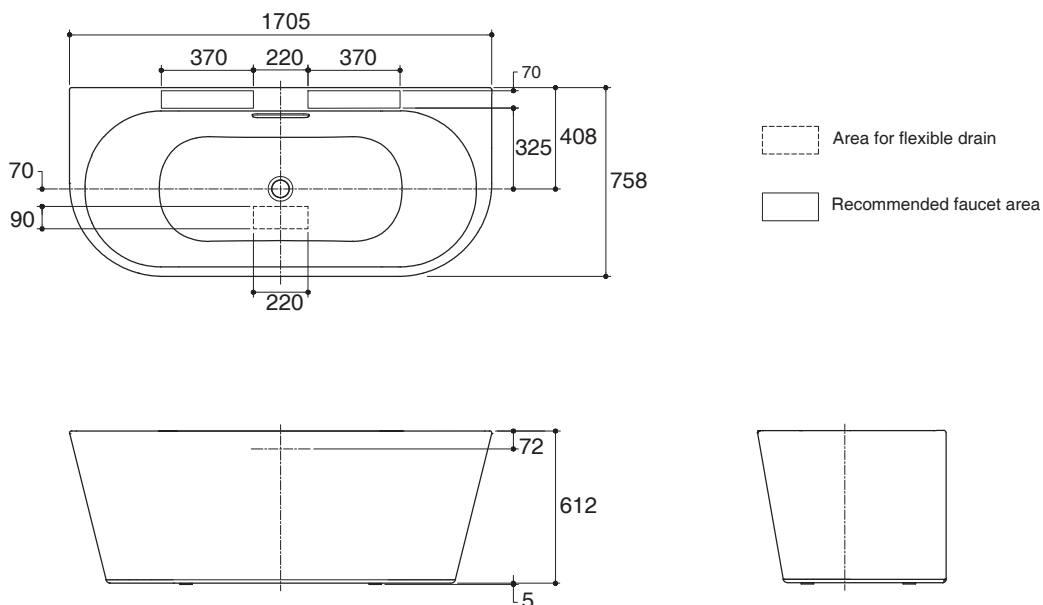
Fixture:	
Basin area:	
Basin area bottom	1050 x 465 mm
Basin area top	1583 x 638 mm
*Approximate measurements for comparison only.	

To overflow:	
Water depth	423 mm
Capacity	228 liters
Drain hole	Ø38 mm (1-1/2")
Over flow slot	191 x 21mm

#### Specified Model

Model	Description	Color/Finished
K-22161T	EVOK 1.7M D-SHAPE FREESTANDING BATH	0: White

Dimensions are approximate.  
Unit: mm



#### Product Diagram

### 产品特点

- 亚克力浴缸
- 独立式无缝设计
- 含弹跳式落水
- 1705x 758 x 612 mm

### 适用法规/标准

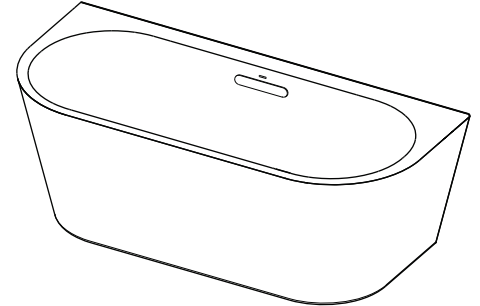
指定型号满足或超过以下法规/标准:

- ANSI Z124.1.2
- TIS 2141-2546
- JC/T 779

### 安装说明

根据安装指南安装本产品。

浴缸下地面必须可承载至少 390 kg/平方米的重量。



### 技术信息

装置:	
浴缸面积:	
底部面积	1050 x 465 mm
顶部面积	1583 x 638 mm
*近似尺寸, 仅供对比。	

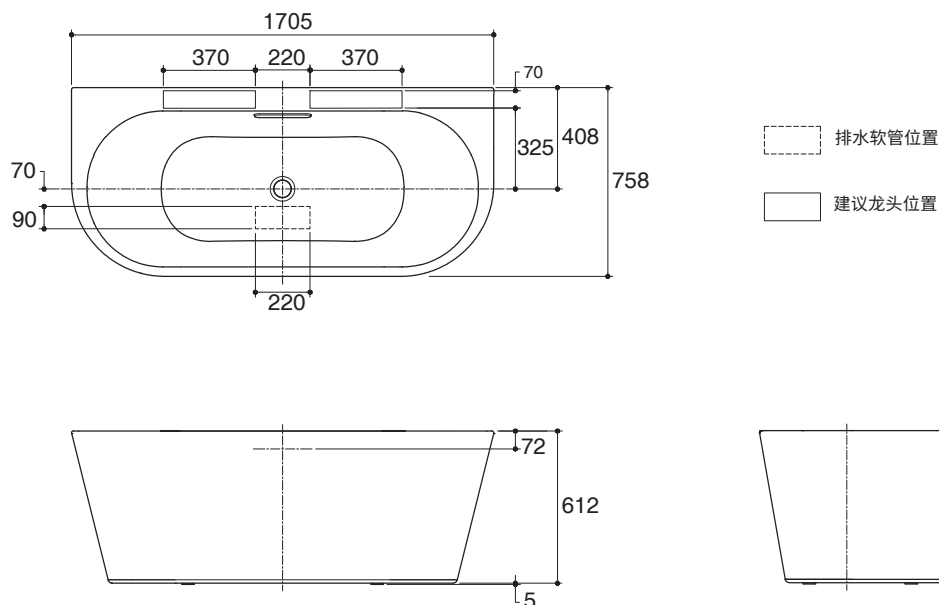
溢流:	
水深	423 mm
容量	228升
排水孔	Ø38 mm (1-1/2")
溢流槽	191 x 21mm

### 指定型号

型号	描述	颜色/饰面
K-22161T	艾芙1.7米独立式亚克力浴缸 (D型)	0: 白色

尺寸为大约值。

单位: mm



### 产品示意图