

Installation Guide

Steam Adapter Kit / Steam Head for DTV+

Français, page "Français-1"
Español, página "Español-1"

THE BOLD LOOK
OF **KOHLER**®

1381955-2-A

IMPORTANT INSTRUCTIONS

IMPORTANT SAFETY INFORMATION



WARNING: When using this unit, basic precautions should always be followed:



DANGER: Risk of electrocution. Disconnect the electricity to the working area at the main breaker panel before performing these installation steps.



WARNING: Risk of personal injury. If you become uncomfortable while taking a steambath, you should turn off the unit. Cool off with the shower, open the door, or exit the unit.



WARNING: Risk of allergic reaction. Before adding any oils, aromatic therapies, or skin care products to the aromatherapy well, make sure they will not cause an allergic reaction to the user.



WARNING: Risk of personal injury. This steambath may not be suitable for use if you are pregnant, have a heart condition, have high blood pressure, have circulatory problems, are under the influence of alcohol, are taking drugs or are under the care of a physician. A steambath can put undue stress on the body, as does any hot bath, shower, or sauna.



WARNING: Risk of personal injury. DO NOT consume alcoholic beverages or take medications/drugs before or when using the steambath. Alcohol and drugs affect mental judgment, greatly increase the risk of hyperthermia, and inhibit bodily functions such as heartbeat and respiration, resulting in potentially dangerous effects.



WARNING: Risk of injury to children. Do not allow children to use this unit unless they are closely supervised at all times. The steam generator is not designed to be used by children.



WARNING: Risk of scalding or burning. Stay away from the steam head during operation. The steam head is hot during operation.



WARNING: Risk of personal injury or property damage. Avoid coming in contact with the water tank and/or steam

IMPORTANT INSTRUCTIONS (cont.)

discharge line while the steam generator is operating or shortly after shutdown. Wear eye protection and protective clothing when servicing the steam generator. The steam generator operates at high temperatures.

NOTICE: Use this unit only for its intended use as specified in this manual. **DO NOT** use attachments not recommended by Kohler Co.

NOTICE: Follow all plumbing, electrical, and building codes.

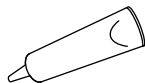
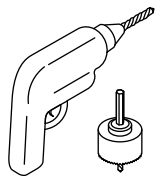
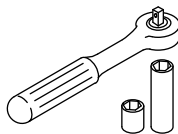
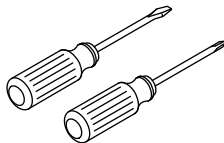
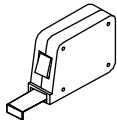
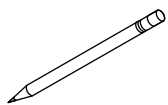
Operation with DTV+

- To connect the steam adapter to the DTV+ system, the K-99695 system controller is required.
- The provided data cable is used to connect the steam adapter to the system controller.
- Refer to the "DTV+ System Layout" section in this guide.

Before Operating the System for the First Time:

Download and install the latest software for connected components. This may take an hour or more to complete based on system configuration and internet connection speed. **Do not disconnect the power from any component during software download and installation.**

Tools and Materials



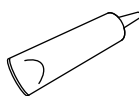
Socket Wrench
with 1" Socket

Dielectric Grease

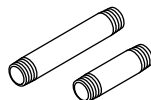
Drill w/ 3/8", 7/16", & 2-1/2"
Hole Saw (match hole saw
to wall material)



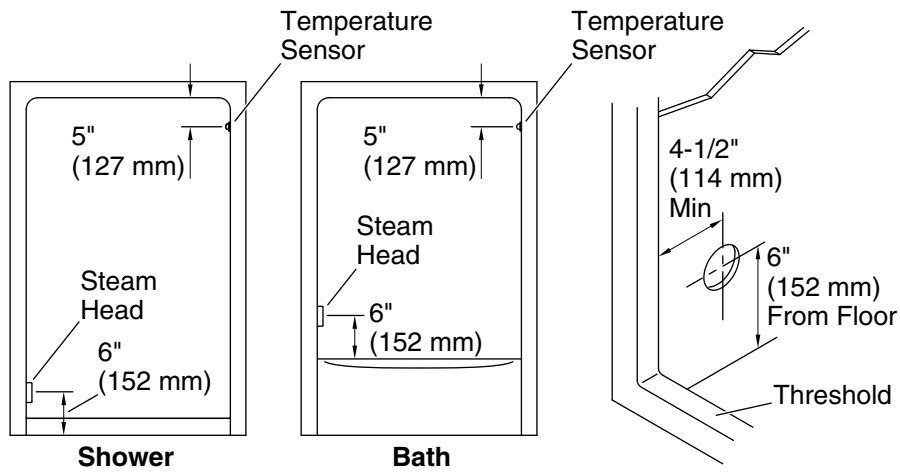
Sealant
Tape



100% Silicone
Sealant



Pipe Nipples



Before You Begin



WARNING: Risk of personal injury. A user interface must be located within the steam enclosure to allow temperature regulation and control of the steam flow.



CAUTION: Risk of scalding. Do not locate the steam head near a seat or bench, as the steam head is hot during operation and may scald the user if touched.

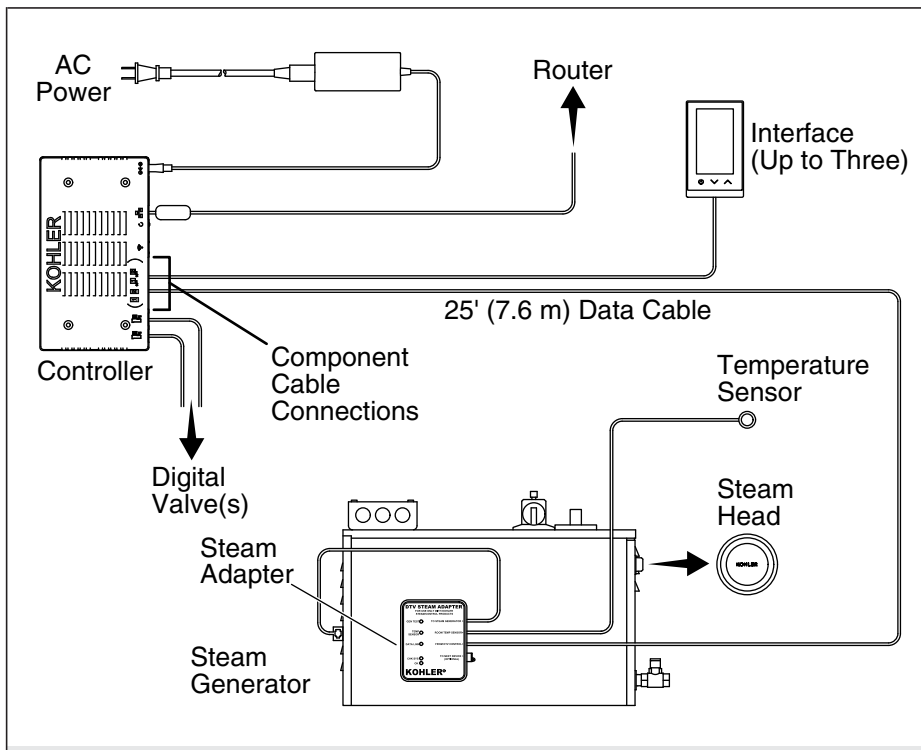
NOTICE: Do not locate the user interface on the same wall as the steam head(s).

NOTICE: The temperature sensor must be located on the wall opposite the steam head(s).

- If possible install the steam generator(s) and K-99695 system controller before beginning this installation.
- Locate the steam head 6" (152 mm) above the floor and 4-1/2" (114 mm) from the inside of the threshold.
- If two steam heads are used, there must be at least 12-1/2" (318 mm) between the center of each hole. The steam heads do not need to be located in the same area.
- Locate the steam head(s) as far away as possible from any shower seating area.
- Locate the temperature sensor on the wall 5" (127 mm) down from the ceiling.

Before You Begin (cont.)

- Make sure that there is adequate clearance between the steam lines and any surrounding surfaces, or apply appropriate insulation to the steam lines.



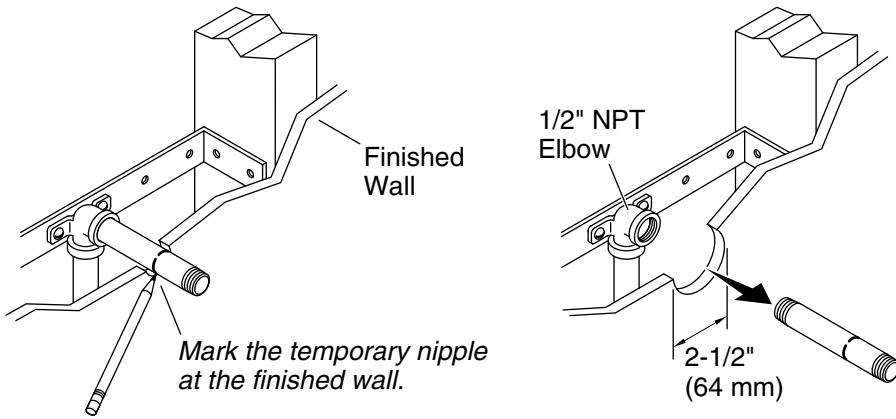
1. DTV+ System Layout

The K-99695 system controller powers the interface(s) and controls the steam generator and other system components.

- Determine the locations of all required components.
- A 25' (7.6 m) data cable is provided to connect the steam adapter to the controller. If the steam generator is not within 25' (7.6 m) of the controller, add an extension cable and coupler. Refer to DTV+ Steam Adapter Kit service page for correct components.

Before Operating the System for the First Time:

Download and install the latest software for connected components. This may take an hour or more to complete based on system configuration and internet connection speed. **Do not disconnect the power from any component during software download and installation.**

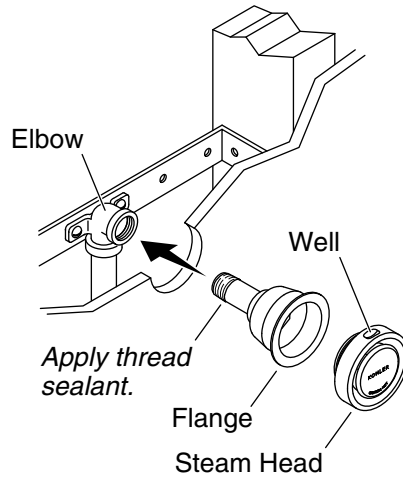
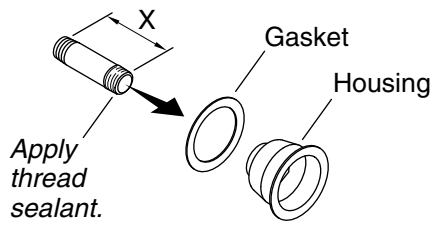
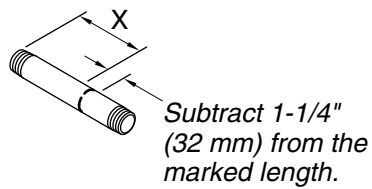


2. Prepare the Site

NOTE: This section continues the installation described in the steam generator installation instructions. Refer to the steam generator installation instructions for more information, as needed.

NOTE: If two steam heads are used, there must be at least 12-1/2" (318 mm) between the center of each hole. The steam heads do not need to be located on the same wall. Install two steam heads on different walls to improve steam distribution.

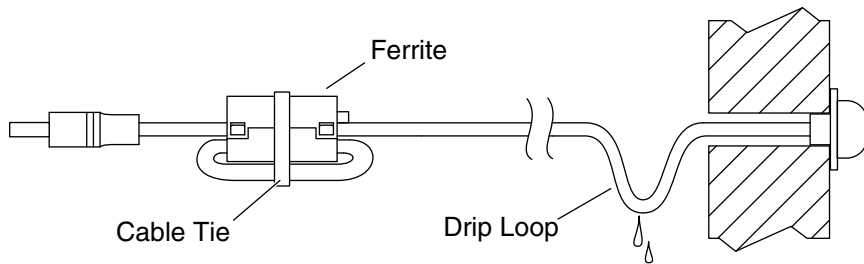
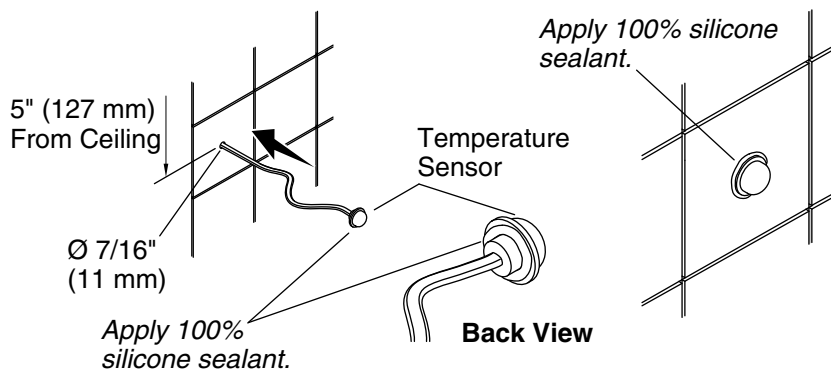
- Install the finished wall.
- Drill or cut a 2-1/2" (64 mm) hole centered around the elbow in the wall.
- Mark the temporary pipe nipple at the finished wall surface.
- Remove the temporary pipe nipple from the elbow.



3. Install the Steam Head(s)

NOTICE: Do not obstruct the steam head with shut-off valves, plugs, or caps.

- Subtract 1-1/4" (32 mm) from the marked length on the temporary nipple to determine the appropriate nipple size.
- Choose a nipple length within 1/8" (3 mm) of the appropriate size.
- Apply thread sealant to one end of the nipple and thread into the housing until hand-tight.
- Apply thread sealant to the other end of the nipple.
- Position the gasket onto the housing so it will sit between the finished wall and the housing flange.
- Use a 1" socket to thread the housing into the elbow.
- Make sure that the gasket is compressed to achieve a good seal around the housing.
- If needed, use an appropriate sealant to achieve a watertight seal.
- Press the steam head into the housing with the well positioned at the top.



4. Install the Temperature Sensor

IMPORTANT! Do not locate the temperature sensor directly above the steam head. Locate the temperature sensor on the wall opposite the steam head.

IMPORTANT! Make a drip loop in the temperature sensor wire to prevent moisture from following the wire to the steam generator.

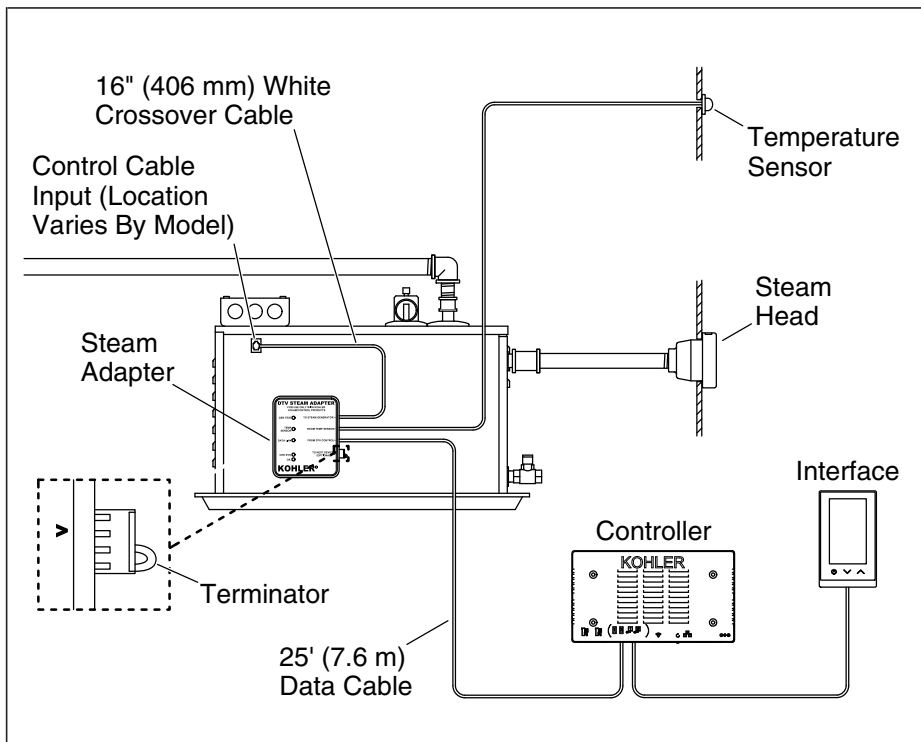
- ❑ Make sure that the power is turned off at the main breaker panel before proceeding.
- ❑ Locate the temperature sensor on the wall 5" (127 mm) down from the ceiling, on the wall opposite the steam head.
- ❑ Drill a 7/16" hole at the selected location.

IMPORTANT! Do not pinch, nail, wedge, or use undue force when handling the sensor wire. Any damage may result in temperature sensor failure.

- ❑ Insert the temperature sensor wire through the drilled hole.
- ❑ Route the wire behind the wall to the steam generator location.

Install the Temperature Sensor (cont.)

- Apply a small bead of 100% silicone sealant to the back of the sensor housing. Do not let any sealant contact the sensor probe.
- Press the sensor firmly onto the wall.
- Temporarily secure the sensor in place with tape.
- Allow the sealant to cure before use.
- Loop the cable through the ferrite on the adapter end of the cable, and snap the ferrite closed. Use the cable tie provided to encircle and lightly secure the looped cable and ferrite.



5. Install the Adapter – Single Steam Head

- Remove the adhesive backing from the steam adapter.
- Mount the adapter firmly to the side of the steam generator.

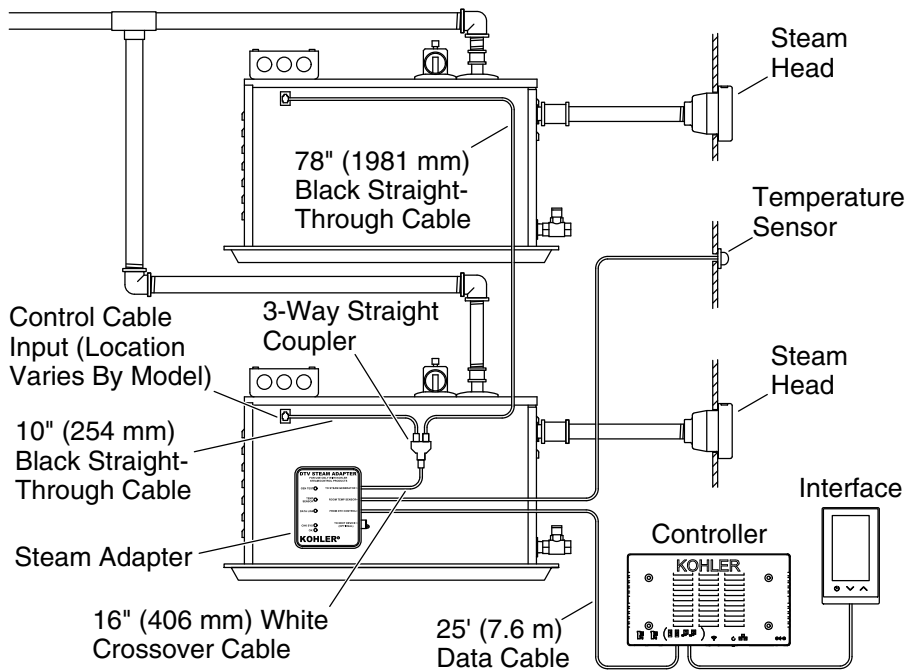
NOTICE: Do not pinch, nail, wedge, or use undue force when handling the silver crossover cable. Any damage may result in adapter failure. If the adapter is not installed immediately, protect the cable ends with tape or other shielding material.

NOTE: The terminator should be installed if no additional equipment is to be added in series to this device. If additional equipment is to be connected downstream of this device, remove the terminator and follow the instructions packed with the additional equipment.

- Apply dielectric grease in all the connectors and wires.
- Connect the 16" (406 mm) white crossover cable to the steam adapter and the steam generator.
- Connect the temperature sensor wire to the corresponding port on the steam adapter.

Install the Adapter – Single Steam Head (cont.)

- Connect the data cable to the steam adapter and route the cable to the controller installation location.



6. Install the Adapter – Dual Steam Head

- Remove the adhesive backing from the steam adapter.
- Mount the adapter firmly to the side of the steam generator.

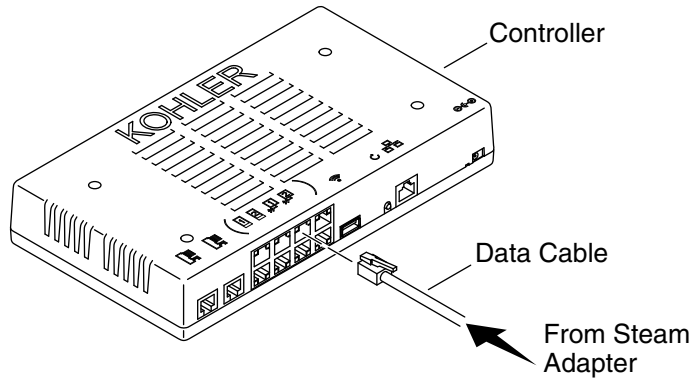
NOTICE: Do not pinch, nail, wedge, or use undue force when handling the white crossover cable. Any damage may result in adapter failure. If the adapter is not installed immediately, protect the cable ends with tape or other shielding material.

NOTE: The terminator should be installed if no additional equipment is to be added in series to this device. If additional equipment is to be connected downstream of this device, remove the terminator and follow the instructions packed with the additional equipment.

- Apply dielectric grease in all the connectors and wires.
- Connect the 16" (406 mm) white crossover cable to the steam adapter and the inlet side of the 3-way coupler.
- Connect the 10" (254 mm) black straight-through cable to the output side of the 3-way coupler and the first generator.

Install the Adapter – Dual Steam Head (cont.)

- Connect the 78" (1981 mm) black straight-through cable to the output side of the 3-way coupler and the second generator.
- Connect the temperature sensor wire to the corresponding port on the steam adapter.
- Connect the data cable to the steam adapter and route the cable to the controller installation location.

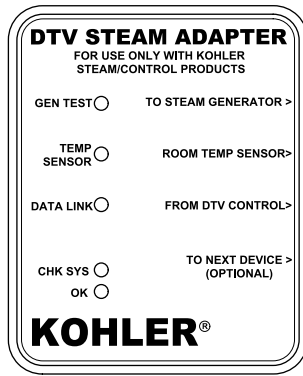


7. Complete the Installation

- If not already installed, install the K-99695 system controller according to the instructions packed with the product.
- Apply dielectric grease in the connector.
- Connect the data cable into one of the eight grouped component ports on the controller.
- Turn on the water supply.
- Restore the power at the main breaker panel.
- For information on system setup and operation, refer to the guide on the controller product page at us.kohler.com.

Before Operating the System for the First Time:

Download and install the latest software for connected components. This may take an hour or more to complete based on system configuration and internet connection speed. **Do not disconnect the power from any component during software download and installation.**



Operation

Status LED Lights

- "GEN TEST" = steam generator connection/function.
- "TEMP SENSOR" = temperature sensor connection/function.
- "DATA LINK" = data cable connection/function.

Normal Operation

- Each of the main LEDs ("GEN TEST," "TEMP SENSOR," and "DATA LINK") blinks green once every second (1 second ON, 1 second OFF).

Abnormal Operation

- One or more of the main LED status lights ("GEN TEST," "TEMP SENSOR," and "DATA LINK") is OFF, ON flashing red, ON solid green, or ON solid red.
- Refer to the "Troubleshooting" section for more information.

Power Clean Function



WARNING: Risk of personal injury. Steam room temperature will be extremely high when the power clean function is activated. **Do not** enter the steam room while the power clean function is in progress.

NOTICE: Users will be automatically reminded to use power clean after 600 minutes of steam generator use. The steam generator may be run three more times before the power clean function must be run. Failure to initiate power clean after the third reminder will result in the system locking. Power clean must be run to resume steam operation.

Operation (cont.)

NOTE: When the power clean function is activated, water will discharge from the steam head.

Care and Cleaning

For best results, keep the following in mind when caring for your KOHLER product:

- Always test your cleaning solution on an inconspicuous area before applying to the entire surface.
- Wipe surfaces clean and rinse completely with water immediately after applying cleaner. Rinse and dry any overspray that lands on nearby surfaces.
- Do not allow cleaners to soak on surfaces.
- Use a soft, dampened sponge or cloth. Never use an abrasive material such as a brush or scouring pad to clean surfaces.

For detailed cleaning information and products to consider, visit www.kohler.com/clean. To order Care & Cleaning information, call 1-800-456-4537.

Troubleshooting

NOTE: For DTV+ system troubleshooting, refer to the guide on the K-99695 controller product page at us.kohler.com.

NOTE: For service parts information, visit your product page at kohler.com/serviceparts.

This troubleshooting guide is for general aid only. For service and installation issues and concerns, call 1-800-4KOHLER.

Symptoms	Probable Causes	Recommended Action
1. Error 0140 is displayed.	A. Tank water level is too low (green status light on steam generator is on).	A. Inspect the water inlet screen and clean if necessary. Ensure that the water supply valve is on and that water is being supplied to the steam generator.

Troubleshooting (cont.)		
Symptoms	Probable Causes	Recommended Action
	<p>B. Tank temperature limit has been exceeded (green status light on steam generator is off).</p> <p>C. Internal steam generator components are not functioning properly.</p>	<p>B. Call the Customer Care Center using the information provided on the back page of this manual.</p> <p>C. Call the Customer Care Center using the information provided on the back page of this manual.</p>
2. Error 0120 is displayed.	<p>A. The temperature in the steam room has exceeded the maximum allowable level.</p>	<p>A1. Reset power to the steam generator and ventilate the steam room to remove excess heat.</p> <p>A2. Relocate the temperature sensor away from the steam head or other heat source.</p> <p>A3. Call the Customer Care Center using the information provided on the back page of this manual.</p>
3. Error 0104 is displayed.	<p>A. Temperature sensor not connected.</p> <p>B. Temperature sensor is damaged.</p>	<p>A. Connect the temperature sensor.</p> <p>B. Call the Customer Care Center using the information provided on the back page of this manual.</p>
4. Error 0408 is displayed.	<p>A. A communication error has occurred.</p>	<p>A. Perform a system reset on the user interface.</p>
5. Lights on the adapter are off.	<p>A. Inadequate power is supplied to the steam generator (green status light on steam generator is off).</p>	<p>A. Provide proper power to the steam generator. If necessary, use the provided test kit to ensure that the steam generator is working properly.</p>

Troubleshooting (cont.)		
Symptoms	Probable Causes	Recommended Action
	<p>B. The user interface is not receiving power from the steam generator (green status light on the steam generator is on).</p>	<p>B. Use the provided test kit and instructions to identify the source of the problem.</p>
	<p>C. The user interface is damaged (green status light on the steam generator is on).</p>	<p>C. Call the Customer Care Center using the information provided on the back page of this manual.</p>
<p>6. "GEN TEST" light is blinking red.</p>	<p>A. An error has occurred with the steam generator.</p>	<p>A. Check the error code on the user interface. See the corresponding error code in this document.</p>
<p>7. "TEMP SENSOR" light is blinking red.</p>	<p>A. The temperature sensor is not connected.</p>	<p>A. Connect the temperature sensor.</p>
	<p>B. The temperature sensor is damaged.</p>	<p>B. Call the Customer Care Center using the information provided on the back page of this manual.</p>
<p>8. "DATA LINK" light is blinking red.</p>	<p>A. A connection to the controller has not yet been established.</p>	<p>A. Wait for the connection to be made.</p>
	<p>B. A connection to the controller cannot be established.</p>	<p>B. Remove and reattach the cable that connects the adapter to the controller. Inspect the cable for damage and replace if necessary.</p>
	<p>C. An error has occurred.</p>	<p>C1. Check the error code on the user interface. See the corresponding error code in this document.</p>

Troubleshooting (cont.)		
Symptoms	Probable Causes	Recommended Action
		C2. Reset power to the steam generator and controller.
		C3. Perform a system reset on the user interface.
9. Steam menu disappears after requesting steam.	A. Cables between the steam generator(s) and adapter are installed incorrectly.	A1. Reinstall the black and/or white cable(s) between the steam generator(s) and adapter according to the instructions in the installation guide.
		A2. Call the Customer Care Center using the information provided on the back page of this manual.
10. Display does not show steam function.	A. Inadequate power is supplied to the steam generator (green status light on steam generator is off).	A1. Provide proper power to the steam generator. Use the provided test kit, if necessary, to ensure that the steam generator is working properly.
		A2. Call the Customer Care Center using the information provided on the back page of this manual.
	B. The adapter is damaged (green status light on steam generator is on).	B1. Use the provided test kit and instructions to identify the source of the problem.
		B2. Call the Customer Care Center using the information provided on the back page of this manual.

Troubleshooting (cont.)		
Symptoms	Probable Causes	Recommended Action
11. Water from steam head.	A. Normal operation.	A1. A small amount of water discharged from the steam head just before, during, and just after steam use is normal.
		A2. Water discharge from the steam head during the Power Clean cycle is normal.
	B. Water supply lines are connected incorrectly.	B. Review the steam generator installation guide and reinstall the lines at the proper locations.
	C. Internal steam generator components are not functioning properly.	C1. Turn off water supply to the steam generator. If possible, drain the tank. Slowly open the water supply valve to refill the steam generator.
C2. Call the Customer Care Center using the information provided on the back page of this manual.		
12. No steam after 5 minutes of activating the steam.	A. An error has occurred.	A. Check the user interface for error messages. If an error message appears, see the appropriate error message troubleshooting.
	B. The temperature setpoint has already been reached.	B. Confirm that the temperature setpoint is greater than the current steam room temperature. Increase the temperature setpoint if desired.

Troubleshooting (cont.)		
Symptoms	Probable Causes	Recommended Action
	C. Inadequate power is supplied to the steam generator (green status light on steam generator is off).	C1. Provide proper power to the steam generator. If necessary, use the provided test kit to ensure that the steam generator is working properly.
		C2. Call the Customer Care Center using the information provided on the back page of this manual.
	D. Cables between the steam generator(s) and adapter are installed incorrectly.	D. Reinstall the black and/or white cable(s) between the steam generator(s) and adapter according to the instructions in the installation guide.
	E. Steam line or steam head is blocked.	E. Check the steam head and steam line for blockages. Repair as necessary.
	F. Steam generator is damaged.	F1. Use the provided test kit to check steam generator function.
		F2. Call the Customer Care Center using the information provided on the back page of this manual.
13. Steam stopped.	A. An error has occurred.	A. Check the user interface for error messages. If an error message appears, see the appropriate error message troubleshooting.
	B. The session time limit was met or the temperature setpoint was met.	B. Restart the session timer or increase the temperature setpoint to restart steam.

Guide d'installation

Kit d'adaptateur de vapeur / Collecteur de vapeur pour DTV+

INSTRUCTIONS IMPORTANTES

INFORMATIONS IMPORTANTES SUR LA SÉCURITÉ



AVERTISSEMENT: Lors de l'utilisation de cette unité, les précautions de base doivent toujours être suivies :



DANGER: Risque d'électrocution. Déconnecter l'alimentation électrique pour la zone de travail au niveau du disjoncteur principal avant d'exécuter ces étapes d'installation.



AVERTISSEMENT: Risque de blessures. Si l'on commence à ressentir une gêne pendant que l'on prend un bain à vapeur, arrêter l'unité. Se refroidir avec la douche, ouvrir la porte, ou sortir de l'unité.



AVERTISSEMENT: Risque de réaction allergique. Avant d'ajouter des huiles, des traitements aromathérapeutiques ou des produits de soins de la peau au puits d'aromathérapie, s'assurer qu'ils ne causeront pas de réaction allergique pour l'utilisateur.



AVERTISSEMENT: Risque de blessures. Ce bain à vapeur peut ne pas être approprié pour être utilisé par les femmes enceintes, les personnes qui ont des problèmes de cœur, une hypertension artérielle ou des problèmes de circulation, ou des personnes qui sont sous l'influence d'alcool, qui prennent des drogues, ou qui sont suivies par un médecin. Un bain à vapeur peut soumettre le corps à un stress exagéré, comme le font les bains chauds, les douches, ou les saunas.



AVERTISSEMENT: Risque de blessures. NE PAS consommer de boissons alcoolisées et ne pas prendre de médicaments ou de drogues avant ou pendant l'utilisation du bain à vapeur. L'alcool et les drogues affectent le jugement mental, augmentent le risque d'hyperthermie de manière significative, et inhibent les fonctions corporelles, comme le

INSTRUCTIONS IMPORTANTES (cont.)

battement du cœur et la respiration, ce qui se traduit par des effets qui pourraient être dangereux.



AVERTISSEMENT: Risque de blessures pour les enfants.

Ne pas permettre aux enfants d'utiliser cette unité sans surveillance diligente en tout temps. Le générateur de vapeur n'est pas destiné à être utilisé par des enfants.



AVERTISSEMENT: Risque d'ébouillantage ou de brûlures.

Ne pas s'approcher de la tête de diffusion de vapeur pendant son fonctionnement. La tête de diffusion de vapeur est chaude lorsqu'elle fonctionne.



AVERTISSEMENT: Risque de blessures ou d'endommagement matériel.

Éviter d'entrer en contact avec le réservoir d'eau et/ou la conduite d'évacuation de vapeur pendant que le générateur de vapeur fonctionne ou immédiatement après son arrêt. Porter des lunettes de protection des yeux et des vêtements de protection lors de l'entretien du générateur de vapeur. Le générateur de vapeur fonctionne à des températures élevées.

AVIS: Utiliser cette unité uniquement pour l'usage pour lequel elle est destinée, tel que spécifié dans ce manuel. **NE PAS** utiliser de dispositifs d'attache non recommandés par Kohler Co.

AVIS: Respecter tous les codes de plomberie, d'électricité et de construction.

Fonctionnement avec DTV+

- Pour connecter l'adaptateur de vapeur au système DTV+, le module de commande du système K-99695 est requis.
- Le câble de données fourni est utilisé pour connecter l'adaptateur de vapeur au module de commande du système.

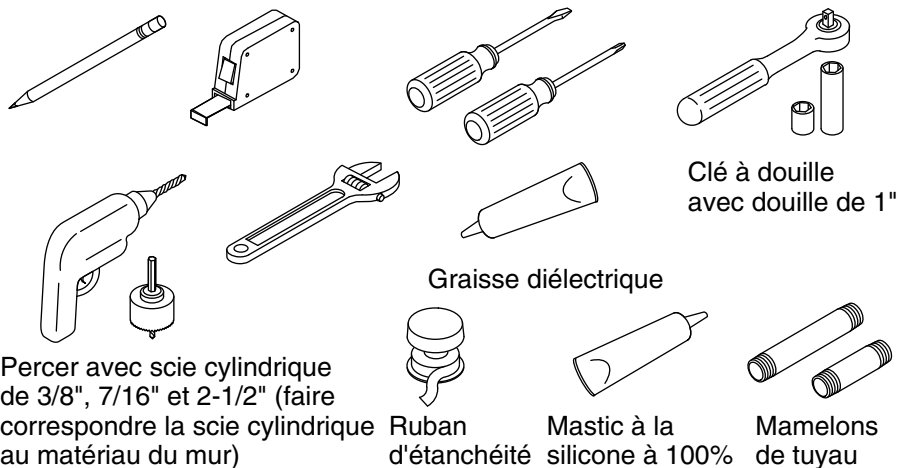
INSTRUCTIONS IMPORTANTES (cont.)

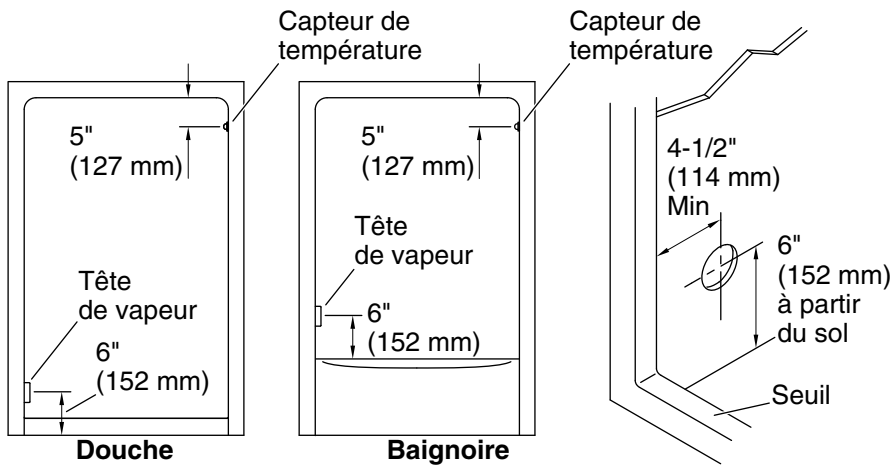
- Se référer à la section "Disposition du système DTV+" dans ce guide.

Avant de faire fonctionner le système la première fois :

Télécharger et installer le dernier logiciel pour les composants connectés. Une heure ou plus peuvent être nécessaires en fonction de la configuration du système et de la vitesse de connexion internet. **Ne pas déconnecter l'alimentation électrique des composants pendant le téléchargement et l'installation du logiciel.**

Outils et matériel





Avant de commencer



AVERTISSEMENT: Risque de blessures. Une interface utilisateur doit être placée dans l'enceinte de vapeur pour permettre une régulation de température et le contrôle du débit de vapeur.



ATTENTION: Risque de brûlures. Ne pas positionner la tête de diffusion de vapeur à proximité d'un siège ou d'un banc, étant donné que la tête de diffusion de vapeur est chaude pendant le fonctionnement et qu'elle pourrait brûler l'utilisateur si celui-ci la touchait.

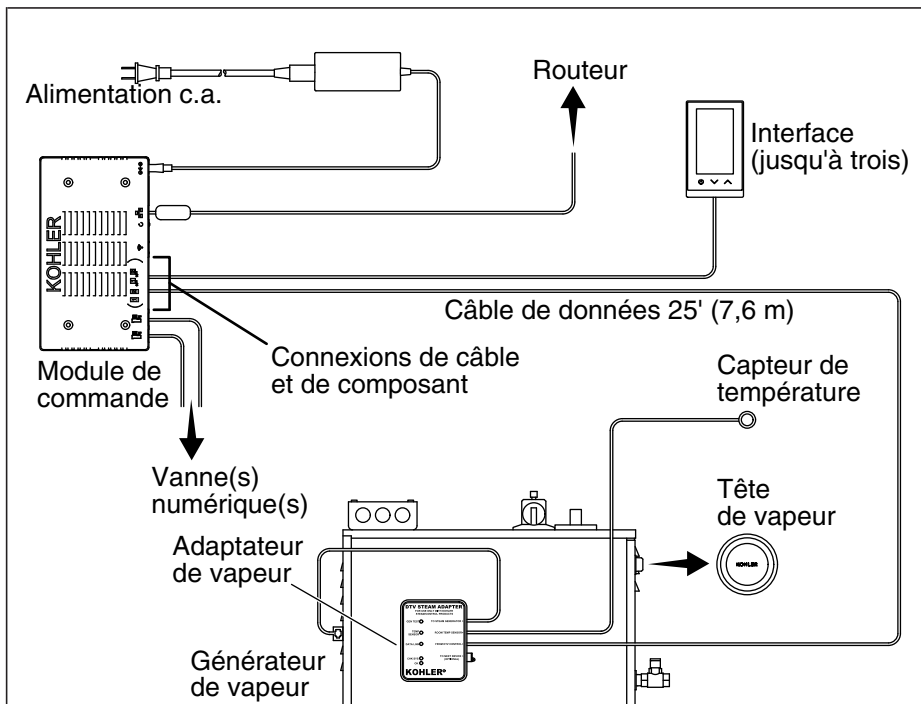
AVIS: Ne pas placer l'interface utilisateur sur le même mur que celui de la ou des têtes de vapeur.

AVIS: Le capteur de température doit être placé sur le mur opposé de celui de la ou des têtes de vapeur.

- Si possible, installer le(s) générateur(s) de vapeur et le module de commande du système K-99695 avant de commencer cette installation.
- Positionner la tête de diffusion de vapeur à 6" (152 mm) au-dessus du sol, et à 4-1/2" (114 mm) de l'intérieur du seuil.
- Si deux têtes de vapeur sont utilisées, il doit y avoir un espace de 12-1/2" (318 mm) au moins entre le centre de chaque trou. Les têtes de vapeur n'ont pas besoin d'être placées dans la même zone.
- Placer la ou les têtes de vapeur aussi loin que possible d'une zone assise de douche.

Avant de commencer (cont.)

- Placer le capteur de température sur le mur, en descendant de 5" (127 mm) du plafond.
- S'assurer qu'il y a un dégagement suffisant entre les conduites de vapeur et toutes les surfaces alentour, ou appliquer du matériau isolant approprié autour des conduites de vapeur.



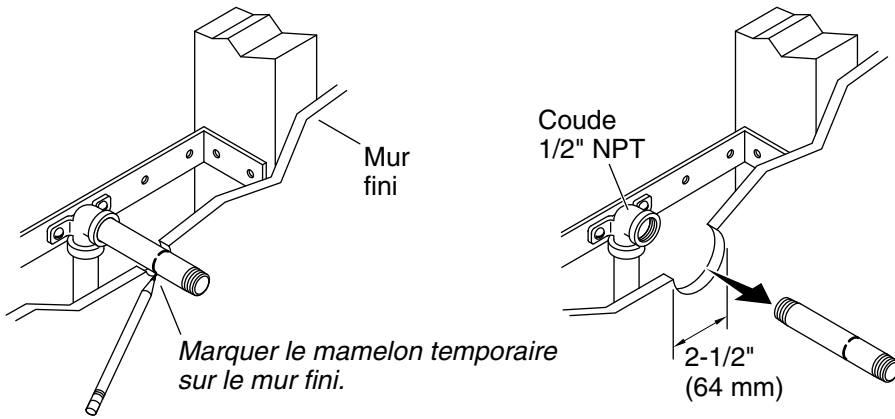
1. Disposition du système DTV+

Le module de commande du système K-99695 alimente l'interface ou les interfaces et commande le générateur de vapeur et les autres composants du système.

- Déterminer les emplacements de tous les composants requis.
- Un câble de données de 25 pi (7,6 m) est fourni pour connecter l'adaptateur de vapeur au module de commande. Si le générateur de vapeur n'est pas compris dans un rayon de 25 pi (7,6 m) du module de commande, ajouter un câble de rallonge et un coupleur. Consulter la page de service de kit d'adaptateur de vapeur DTV+ pour obtenir les composants corrects.

Avant de faire fonctionner le système la première fois :

Télécharger et installer le dernier logiciel pour les composants connectés. Une heure ou plus peuvent être nécessaires en fonction de la configuration du système et de la vitesse de connexion internet. **Ne pas déconnecter l'alimentation électrique des composants pendant le téléchargement et l'installation du logiciel.**

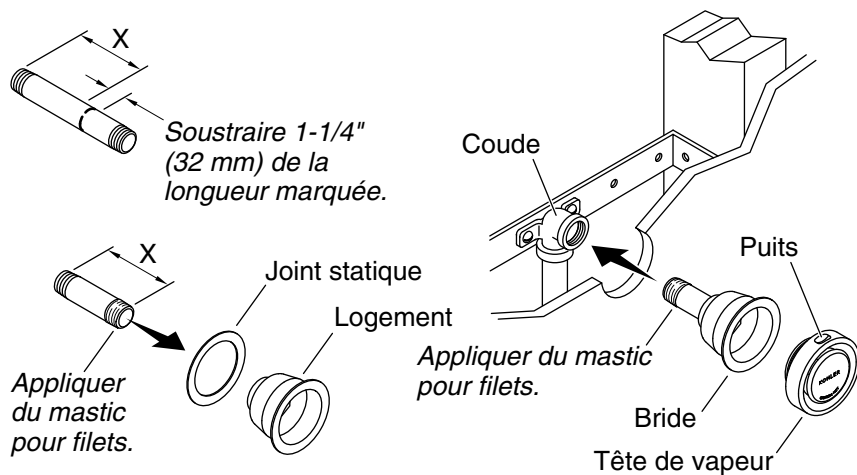


2. Préparer le site

REMARQUE: Cette section continue l'installation décrite dans les instructions d'installation du générateur de vapeur. Se reporter aux instructions d'installation du générateur de vapeur pour obtenir de l'information supplémentaire, le cas échéant.

REMARQUE: Si deux têtes de diffusion de vapeur sont utilisées, il doit y avoir un espace de 12-1/2 (318 mm) au moins entre le centre de chaque trou. Les têtes de diffusion de vapeur n'ont pas besoin d'être placées sur le même mur. Installer deux têtes de diffusion de vapeur sur des murs différents pour améliorer la distribution de vapeur.

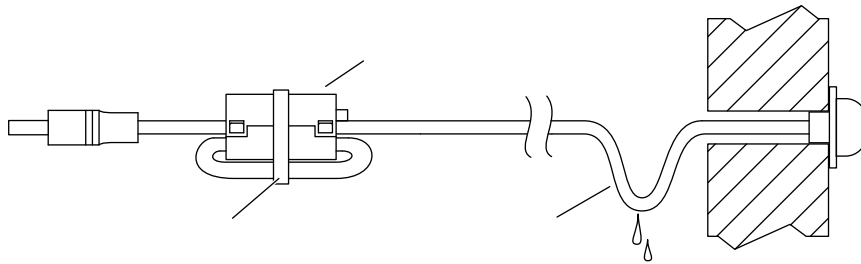
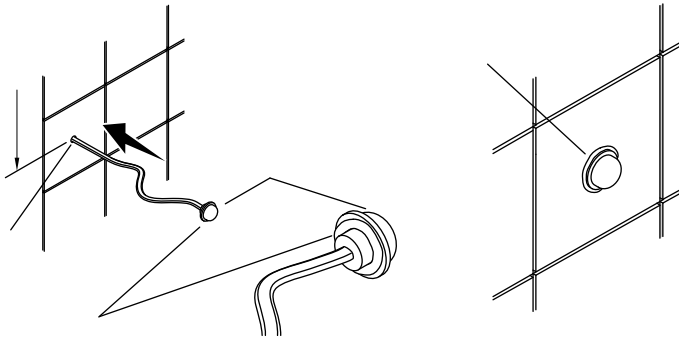
- Installer le mur fini.
- Percer ou couper un trou de 2-1/2" (64 mm) centré autour du coude dans le mur.
- Marquer le mamelon de tuyau temporaire et la surface du mur fini.
- Retirer le mamelon de la conduite temporaire du coude.



3. Installer la ou les têtes de diffusion de vapeur

AVIS: Ne pas obstruer la tête de diffusion de vapeur avec des robinets d'arrêt, des bouchons ou des capuchons.

- Soustraire 1-1/4" (32 mm) de la longueur marquée sur le mamelon temporaire pour déterminer la taille appropriée du mamelon.
- Choisir une longueur de mamelon comprise dans les 1/8" (3 mm) de la taille appropriée.
- Appliquer du mastic pour filets sur une extrémité du mamelon, et enfiler celui-ci dans le logement jusqu'à ce qu'il soit serré à la main.
- Appliquer du mastic pour filets sur l'autre extrémité du mamelon.
- Placer le joint statique sur le logement de manière à ce qu'il soit assis entre le mur fini et la bride du logement.
- Utiliser une douille de 1" pour enfiler le logement dans le coude.
- S'assurer que le joint statique est comprimé pour obtenir un bon joint autour du logement.
- Si nécessaire, utiliser un mastic approprié pour obtenir un joint étanche à l'eau.
- Enfoncer la tête de diffusion de vapeur dans le logement avec le puits placé sur le haut.



4. Installer le capteur de température

IMPORTANT! Ne pas placer le capteur de température directement au-dessus de la tête de diffusion de vapeur. Placer le capteur de température sur le mur à l'opposé de la tête de diffusion de vapeur.

IMPORTANT! Créer une boucle d'égouttement dans le fil du capteur de température afin d'éviter que l'humidité suive le fil vers le générateur de vapeur.

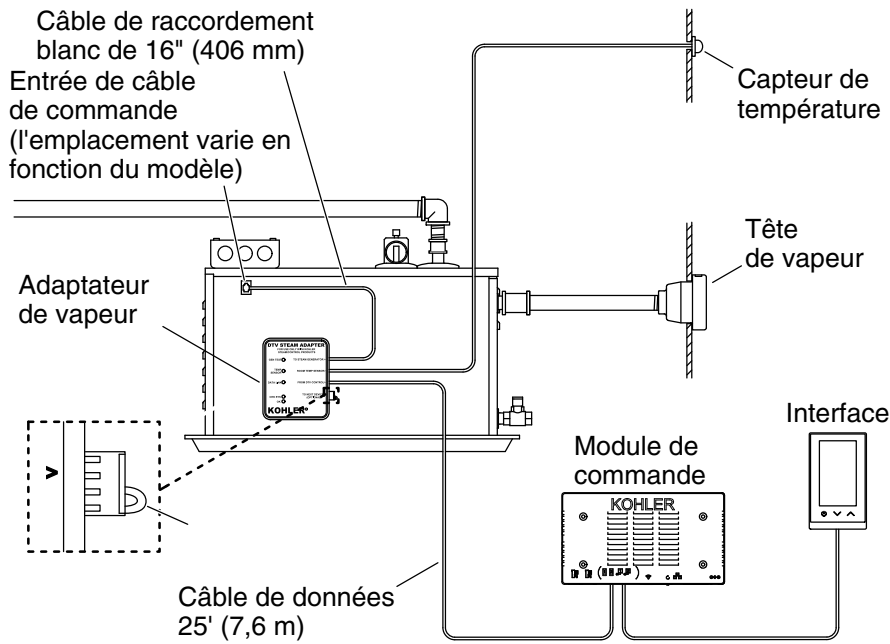
- S'assurer que l'alimentation électrique est coupée au niveau du panneau du disjoncteur principal avant de continuer.
- Placer le capteur de température sur le mur, en descendant de 5" (127 mm) du plafond, sur le côté opposé de la tête de diffusion de vapeur.
- Percer un trou de 7/16" à l'emplacement choisi.

IMPORTANT! Ne pas pincer, clouer, biseauter ou utiliser une force non nécessaire lors de la manipulation du fil du capteur. Tous dommages pourraient se traduire par une défaillance du capteur de température.

- Insérer le fil du capteur de température par le trou percé.

Installer le capteur de température (cont.)

- Acheminer le fil à l'arrière du mur vers l'emplacement du générateur de vapeur.
- Appliquer un petit cordon de mastic à la silicone à 100% sur l'arrière du logement du capteur. Ne pas laisser le mastic entrer en contact avec la sonde du capteur.
- Presser fermement le capteur sur le mur.
- Fixer temporairement le capteur en place avec du ruban adhésif.
- Attendre que le mastic ait séché avant utilisation.
- Faire passer le câble en boucle par la ferrite sur l'extrémité adaptateur du câble, et enclencher la ferrite pour la fermer. Utiliser l'attache-câble fourni pour encercler et sécuriser légèrement le câble en boucle et le ferrite.



5. Installer l'adaptateur – Tête de diffusion de vapeur unique

- Retirer l'endos adhésif de l'adaptateur de vapeur.
- Monter fermement l'adaptateur sur le côté du générateur de vapeur.

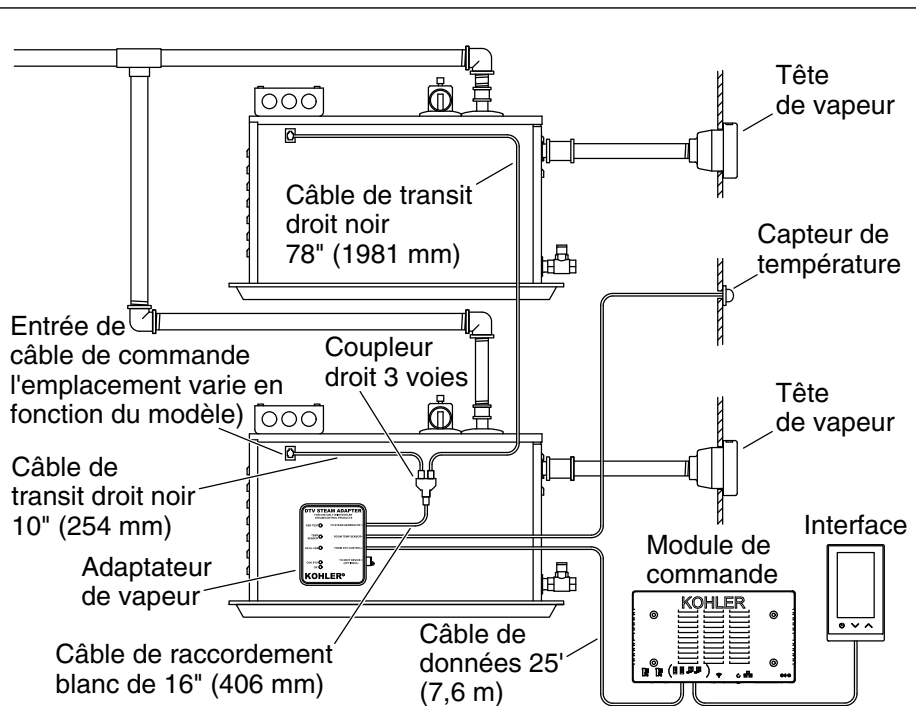
AVIS: Ne pas pincer, clouer, biseauter ou utiliser une force non nécessaire lors de la manipulation du câble de raccordement argent. Tous dommages peuvent entraîner une défaillance de l'adaptateur. Si l'adaptateur n'est pas installé immédiatement, protéger les extrémités des câbles avec du ruban ou un autre matériau de blindage.

REMARQUE: Le terminateur doit être installé si aucun équipement supplémentaire n'est ajouté en série à ce dispositif. Si de l'équipement supplémentaire doit être connecté en aval de ce dispositif, retirer le terminateur et suivre les instructions accompagnant l'équipement supplémentaire.

- Appliquer de la graisse diélectrique dans tous les connecteurs et fils.

**Installer l'adaptateur – Tête de diffusion de vapeur unique
(cont.)**

- Connecter le câble de raccordement blanc de 16" (406 mm) à l'adaptateur de vapeur et au générateur de vapeur.
- Connecter le fil du capteur de température au port correspondant sur l'adaptateur de vapeur.
- Connecter le câble de données à l'adaptateur de vapeur et acheminer le câble vers l'emplacement d'installation du module de commande.



6. Installer l'adaptateur – Tête de diffusion de vapeur double

- Retirer l'endos adhésif de l'adaptateur de vapeur.
- Monter fermement l'adaptateur sur le côté du générateur de vapeur.

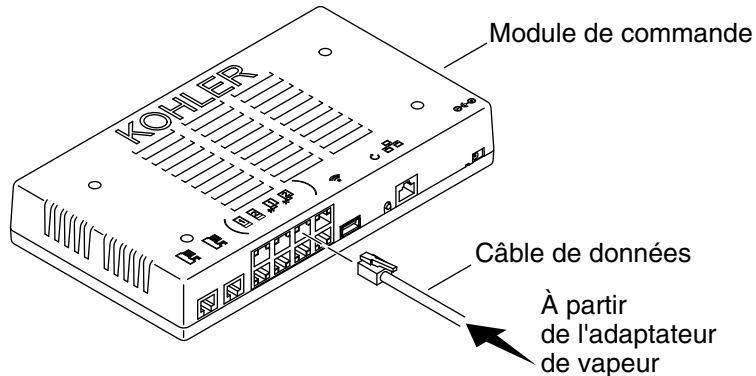
AVIS: Ne pas pincer, clouer, biseauter ou utiliser une force non nécessaire lors de la manipulation du câble de raccordement blanc. Tous dommages peuvent entraîner une défaillance de l'adaptateur. Si l'adaptateur n'est pas installé immédiatement, protéger les extrémités des câbles avec du ruban ou un autre matériau de blindage.

REMARQUE: Le terminateur doit être installé si aucun équipement supplémentaire n'est ajouté en série à ce dispositif. Si de l'équipement supplémentaire doit être connecté en aval de ce dispositif, retirer le terminateur et suivre les instructions accompagnant l'équipement supplémentaire.

- Appliquer de la graisse diélectrique dans tous les connecteurs et fils.

**Installer l'adaptateur – Tête de diffusion de vapeur double
(cont.)**

- Connecter le câble de raccordement blanc de 16" (406 mm) à l'adaptateur de vapeur et au côté entrée du coupleur à 3 voies.
- Connecter le câble de transit droit noir de 10" (254 mm) au côté sortie du coupleur à 3 voies et au premier générateur.
- Connecter le câble de transit droit noir de 78" (1981 mm) au côté sortie du coupleur à 3 voies et au deuxième générateur.
- Connecter le fil du capteur de température au port correspondant sur l'adaptateur de vapeur.
- Connecter le câble de données à l'adaptateur de vapeur et acheminer le câble vers l'emplacement d'installation du module de commande.

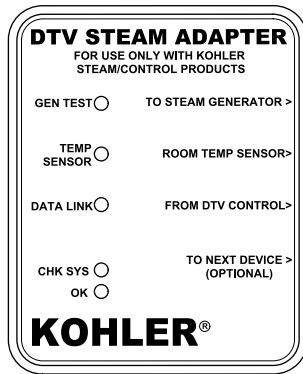


7. Terminer l'installation

- Si ceci n'a pas encore été effectué, installer le module de commande du système K-99695 selon les instructions accompagnant le produit.
- Appliquer de la graisse diélectrique dans le connecteur.
- Connecter le câble de données dans l'un des huit ports de composants regroupés sur le module de commande.
- Ouvrir l'alimentation en eau.
- Restaurer l'alimentation au niveau du panneau du disjoncteur principal.
- Pour obtenir de l'information supplémentaire sur le fonctionnement et la configuration du système, se référer au guide sur la page du produit à us.kohler.com.

Avant de faire fonctionner le système la première fois :

Télécharger et installer le dernier logiciel pour les composants connectés. Une heure ou plus peuvent être nécessaires en fonction de la configuration du système et de la vitesse de connexion internet. **Ne pas déconnecter l'alimentation électrique des composants pendant le téléchargement et l'installation du logiciel.**



Fonctionnement

Voyants DEL d'état

- "GEN TEST" = connexion/fonction du générateur de vapeur.
- "TEMP SENSOR" = connexion/fonction du capteur de température.
- "DATA LINK" = connexion/fonction du câble de données.

Fonctionnement normal

- Chacune des DEL principales ("GEN TEST," "TEMP SENSOR," et "DATA LINK") clignote en vert une fois toutes les secondes (1 seconde allumée, 1 seconde éteinte).

Fonctionnement anormal

- L'un ou plusieurs des voyants d'état DEL ("GEN TEST," "TEMP SENSOR," et "DATA LINK") est éteint, allumé en clignotant en rouge, allumé en vert continu, ou allumé en rouge continu.
- Se référer à la section "Dépannage" pour obtenir de l'information supplémentaire.

Fonction de nettoyage sous pression



AVERTISSEMENT: Risque de blessures. La température de la chambre de vapeur sera extrêmement élevée lorsque la fonction de nettoyage sous pression est activée. **Ne pas** entrer dans la chambre de vapeur pendant que la fonction de nettoyage sous pression est en cours.

AVIS: Les utilisateurs recevront un rappel automatique de nettoyage sous pression au bout de 600 minutes d'utilisation du générateur de vapeur. Le générateur de vapeur peut encore fonctionner trois fois avant qu'il ne soit nécessaire d'exécuter la

Fonctionnement (cont.)

fonction de nettoyage sous pression. Le système se verrouille si l'on ne lance pas la fonction de nettoyage sous pression au bout du troisième rappel. Le nettoyage sous pression doit être exécuté pour que le fonctionnement de la vapeur puisse recommencer.

REMARQUE: Lorsque la fonction de nettoyage sous pression est activée, de l'eau est déchargée de la tête de vaporisation.

Entretien et nettoyage

Pour obtenir les meilleurs résultats possibles, prendre ce qui suit en considération lors de l'entretien de votre produit KOHLER :

- Toujours tester la solution de nettoyage sur une surface non visible avant de l'appliquer sur l'ensemble de la surface.
- Essuyer les surfaces et rincer complètement avec de l'eau immédiatement après l'application du nettoyant. Rincer et sécher tout éclaboussement sur les surfaces avoisinantes.
- Ne pas laisser les nettoyants tremper sur les surfaces.
- Utiliser une éponge ou un chiffon doux et humide. Ne jamais utiliser de matériau abrasif tel qu'une brosse ou une éponge à récurer pour nettoyer les surfaces.

Pour obtenir des renseignements détaillés sur le nettoyage et les produits à considérer, consulter le site www.kohler.com/clean. Pour commander des renseignements sur le nettoyage, appeler le 1-800-456-4537.

Dépannage

REMARQUE: Pour le dépannage du système DTV+, se référer au guide sur la page du produit du module de commande K-99695 à us.kohler.com.

REMARQUE: Pour tout renseignement sur les pièces de rechange, visiter la page du produit sur le site kohler.com/serviceparts.

Ce guide de dépannage est seulement destiné à fournir une aide d'ordre général. Pour des problèmes ou questions concernant l'entretien et l'installation, composer le 1-800-4KOHLER.

Dépannage (cont.)		
Symptômes	Causes probables	Action recommandée
1. L'erreur 0140 est affichée.	A. Le niveau d'eau du réservoir est trop bas (le voyant d'état vert du générateur de vapeur est allumé).	A. Inspecter la grille d'entrée d'eau et la nettoyer si nécessaire. S'assurer que la vanne d'arrivée d'eau est en marche et que de l'eau est fournie au générateur de vapeur.
	B. La limite de température du réservoir est dépassée (le voyant d'état vert du générateur de vapeur est éteint).	B. Appeler le Service après-vente en utilisant les renseignements fournis sur la page arrière de ce manuel.
	C. Les composants internes du générateur de vapeur ne fonctionnent pas correctement.	C. Appeler le Service après-vente en utilisant les renseignements fournis sur la page arrière de ce manuel.
2. L'erreur 0120 est affichée.	A. La température de la chambre de vapeur a dépassé le niveau maximum permis.	A1. Réinitialiser l'alimentation au générateur de vapeur et ventiler la chambre de vapeur pour éliminer la chaleur excessive.
		A2. Repositionner le capteur de température pour l'éloigner de la tête de diffusion de vapeur ou d'une autre source de chaleur.
		A3. Appeler le service après-vente en utilisant les renseignements fournis sur la page arrière de ce manuel.

Dépannage (cont.)		
Symptômes	Causes probables	Action recommandée
3. L'erreur 0104 est affichée.	A. Le capteur de température n'est pas connecté.	A. Connecter le capteur de température.
	B. Le capteur de température est endommagé.	B. Appeler le Service après-vente en utilisant les renseignements fournis sur la page arrière de ce manuel.
4. L'erreur 0408 est affichée.	A. Une erreur de communication s'est produite.	A. Effectuer une réinitialisation du système sur l'interface utilisateur.
5. Les voyants de l'adaptateur sont éteints.	A. Une alimentation non adéquate est fournie au générateur de vapeur (le voyant d'état vert du générateur de vapeur est éteint).	A. Fournir une alimentation adéquate au générateur de vapeur. Si nécessaire, utiliser le kit d'essai fourni pour assurer que le générateur de vapeur fonctionne correctement.
	B. L'interface utilisateur ne reçoit pas d'alimentation en provenance du générateur de vapeur (le voyant d'état vert du générateur de vapeur est allumé).	B. Utiliser le kit d'essai et les instructions fournis pour identifier la source du problème.
	C. L'interface utilisateur est endommagée (le voyant d'état vert du générateur de vapeur est allumé).	C. Appeler le Service après-vente en utilisant les renseignements fournis sur la page arrière de ce manuel.
6. Le voyant "GEN TEST" clignote en rouge.	A. Une erreur s'est produite avec le générateur de vapeur.	A. Vérifier le code d'erreur sur l'interface utilisateur. Se référer au code d'erreur correspondant dans ce document.

Dépannage (cont.)		
Symptômes	Causes probables	Action recommandée
7. Le voyant "TEMP SENSOR" clignote en rouge.	A. Le capteur de température n'est pas connecté.	A. Connecter le capteur de température.
	B. Le capteur de température est endommagé.	B. Appeler le Service après-vente en utilisant les renseignements fournis sur la page arrière de ce manuel.
8. Le voyant "DATA LINK" clignote en rouge.	A. Aucune connexion vers le module de commande n'a été établie à ce point.	A. Attendre que la connexion soit effectuée.
	B. Il n'est pas possible d'établir une connexion vers le module de commande.	B. Retirer et réattacher le câble qui connecte l'adaptateur au module de commande. Inspecter le câble pour y déceler des dommages éventuels et le remplacer si nécessaire.
	C. Une erreur s'est produite.	C1. Vérifier le code d'erreur sur l'interface utilisateur. Se référer au code d'erreur correspondant dans ce document.
C2. Réinitialiser l'alimentation au générateur de vapeur et au module de commande.		
	C3. Effectuer une réinitialisation du système sur l'interface utilisateur.	

Dépannage (cont.)		
Symptômes	Causes probables	Action recommandée
9. Le menu de vapeur disparaît après une demande de vapeur.	A. Les câbles entre le(s) générateur(s) de vapeur et l'adaptateur sont installés incorrectement.	A1. Réinstaller le(s) câble(s) de couleur noire et/ou blanche entre le(s) générateur(s) de vapeur et l'adaptateur selon les instructions du guide d'installation.
		A2. Appeler le service après-vente en utilisant les renseignements fournis sur la page arrière de ce manuel.
10. L'affichage n'indique pas la fonction de vapeur.	A. Une alimentation non adéquate est fournie au générateur de vapeur (le voyant d'état vert du générateur de vapeur est éteint).	A1. Fournir une alimentation adéquate au générateur de vapeur. Utiliser le kit d'essai fourni, si nécessaire, pour assurer que le générateur de vapeur fonctionne correctement.
		A2. Appeler le service après-vente en utilisant les renseignements fournis sur la page arrière de ce manuel.
	B. L'adaptateur est endommagé (le voyant d'état vert du générateur de vapeur est allumé).	B1. Utiliser le kit d'essai et les instructions fournis pour identifier la source du problème.
		B2. Appeler le service après-vente en utilisant les renseignements fournis sur la page arrière de ce manuel.

Dépannage (cont.)

Symptômes	Causes probables	Action recommandée
11. Eau en provenance de la tête de diffusion de vapeur.	A. Fonctionnement normal.	A1. Une petite quantité d'eau est déchargée de la tête de diffusion de vapeur juste avant, pendant et après que l'utilisation de la vapeur est normale. A2. Une décharge d'eau en provenance de la tête de diffusion de vapeur pendant le cycle de nettoyage sous pression est normale.
	B. Les conduites d'arrivée d'eau sont connectées incorrectement.	B. Examiner le guide d'installation du générateur de vapeur et réinstaller les conduites au emplacements appropriés.
	C. Les composants internes du générateur de vapeur ne fonctionnent pas correctement.	C1. Couper l'arrivée d'eau vers le générateur de vapeur. Si possible, vidanger le réservoir. Ouvrir lentement la vanne d'arrivée d'eau pour remplir le générateur de vapeur.
		C2. Appeler le service après-vente en utilisant les renseignements fournis sur la page arrière de ce manuel.

Dépannage (cont.)

Symptômes	Causes probables	Action recommandée
12. Aucune vapeur après 5 minutes d'activation de cette fonction.	A. Une erreur s'est produite.	A. Examiner l'interface utilisateur pour y rechercher des messages d'erreur. Si un message d'erreur apparaît, consulter le tableau de dépannage de messages d'erreur approprié.
	B. Le point de consigne de température a déjà été atteint.	B. Vérifier que le point de consigne de la température est supérieur à la température actuelle de la chambre de vapeur. Augmenter le point de consigne de la température si souhaité.
	C. Une alimentation non adéquate est fournie au générateur de vapeur (le voyant d'état vert du générateur de vapeur est éteint).	C1. Fournir une alimentation adéquate au générateur de vapeur. Si nécessaire, utiliser le kit d'essai fourni pour assurer que le générateur de vapeur fonctionne correctement.
		C2. Appeler le service après-vente en utilisant les renseignements fournis sur la page arrière de ce manuel.
D. Les câbles entre le(s) générateur(s) de vapeur et l'adaptateur sont installés incorrectement.	D. Réinstaller le(s) câble(s) de couleur noire et/ou blanche entre le(s) générateur(s) de vapeur et l'adaptateur selon les instructions du guide d'installation.	

Dépannage (cont.)		
Symptômes	Causes probables	Action recommandée
	E. La conduite de vapeur ou la tête de diffusion de vapeur est bloquée.	E. Inspecter la tête de diffusion de vapeur et la conduite de vapeur pour y rechercher des obstructions. Remplacer selon les besoins.
	F. Le générateur de vapeur est endommagé.	F1. Utiliser le kit d'essai fourni pour vérifier le fonctionnement du générateur de vapeur.
		F2. Appeler le service après-vente en utilisant les renseignements fournis sur la page arrière de ce manuel.
13. La vapeur s'est arrêtée.	A. Une erreur s'est produite.	A. Examiner l'interface utilisateur pour y rechercher des messages d'erreur. Si un message d'erreur apparaît, consulter le tableau de dépannage de messages d'erreur approprié.
	B. La limite du temps de la session est atteinte ou le point de consigne de température est atteint.	B. Redémarrer la minuterie de la session ou augmenter le point de consigne de température pour redémarrer la vapeur.

Guía de instalación

Kit adaptador de vapor/ Cabezal de vapor para DTV+

INSTRUCCIONES IMPORTANTES

INFORMACIÓN IMPORTANTE DE SEGURIDAD



ADVERTENCIA: Al usar esta unidad siempre siga las precauciones básicas:



PELIGRO: Riesgo de electrocución. Antes de realizar estos pasos de instalación, desconecte el suministro eléctrico al área de trabajo en el panel principal de interruptores de circuito.



ADVERTENCIA: Riesgo de lesiones personales. Si usted se siente incómodo al tomar un baño de vapor, debe apagar la unidad. Refréscase con la ducha, abra la puerta o salga de la unidad.



ADVERTENCIA: Riesgo de reacción alérgica. Antes de agregar aceites, terapias aromáticas o productos para la piel en el depósito para aromaterapia, asegúrese de que no causen reacciones alérgicas al usuario.



ADVERTENCIA: Riesgo de lesiones personales. Es posible que este baño de vapor no sea adecuado para el usuario en casos de embarazo, problemas del corazón, alta presión, problemas circulatorios, influencia del alcohol, consumo de ciertas medicinas o si está bajo atención médica. El baño de vapor puede representar demasiado esfuerzo para el cuerpo, al igual que cualquier baño, ducha o sauna caliente.



ADVERTENCIA: Riesgo de lesiones personales. NO consuma bebidas alcohólicas o drogas, ni tome medicamentos antes de usar el baño de vapor o al usarlo. El alcohol, las drogas y las medicinas afectan el buen juicio, aumentan en mucho el riesgo de sufrir de hipertermia, e inhiben las funciones corporales tales como los latidos del corazón y la respiración, lo que ocasiona efectos potencialmente peligrosos.

INSTRUCCIONES IMPORTANTES (cont.)



ADVERTENCIA: Riesgo de lesiones a niños. No permita que los niños usen esta unidad, a menos que estén supervisados de cerca en todo momento. El generador de vapor no está diseñado para ser usado por niños.



ADVERTENCIA: Riesgo de escaldaduras o quemaduras. No se acerque al cabezal de vapor mientras esté en funcionamiento. El cabezal de vapor está caliente mientras está en funcionamiento.



ADVERTENCIA: Riesgo de lesiones personales o daños a la propiedad. Evite entrar en contacto con el tanque de agua y/o con la línea de descarga de vapor mientras el generador de vapor esté en funcionamiento o un poco después de que se haya apagado. Use protección para los ojos y ropa de protección al dar servicio al generador de vapor. El generador de vapor funciona a altas temperaturas.

AVISO: Use esta unidad únicamente con el fin para el que ha sido fabricada, tal como se especifica en este manual. **NO** use accesorios que no recomiende Kohler Co.

AVISO: Cumpla todos los códigos de plomería, eléctricos y de construcción.

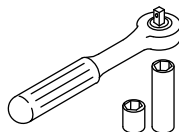
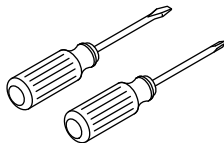
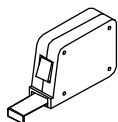
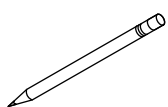
Funcionamiento con DTV+

- Para conectar el adaptador de vapor al sistema DTV+ se necesita el controlador del sistema K-99695.
- El cable de datos que se incluye se usa para conectar el adaptador de vapor al controlador del sistema.
- Consulte la sección "Distribución del sistema DTV+" en esta guía.

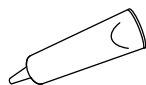
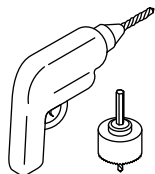
Antes de usar el sistema por primera vez:

Descargue e instale el software más reciente de los componentes conectados. Completar este proceso puede tomar una hora o más, de acuerdo a la configuración del sistema y a la velocidad de conexión de Internet. **No desconecte el suministro eléctrico de ningún componente durante la descarga y la instalación del software.**

Herramientas y materiales



Llave de dados
con dado de 1 pulg.

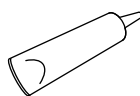


Grasa dieléctrica

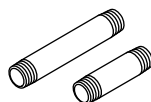
Taladro c/broca tipo corona perforadora de 3/8", 7/16" y 2-1/2" (elija la broca para el material de la pared)



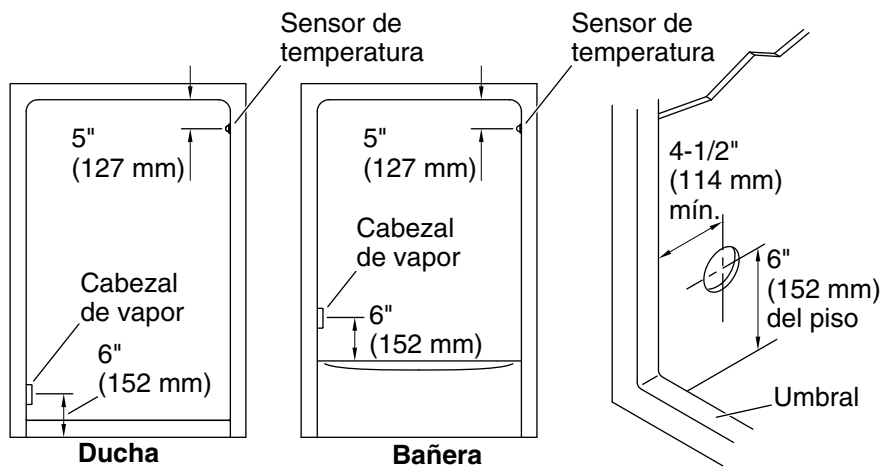
Cinta selladora



Sellador 100% de silicona



Nipples



Antes de comenzar



ADVERTENCIA: Riesgo de lesiones personales. Debe haber una interface de usuario ubicada dentro del recinto para poder regular la temperatura y controlar el flujo de vapor.



PRECAUCIÓN: Riesgo de quemaduras. No ubique el cabezal de vapor cerca de un asiento o de una banca, ya que el cabezal de vapor está caliente cuando está funcionando y puede quemar al usuario si lo toca.

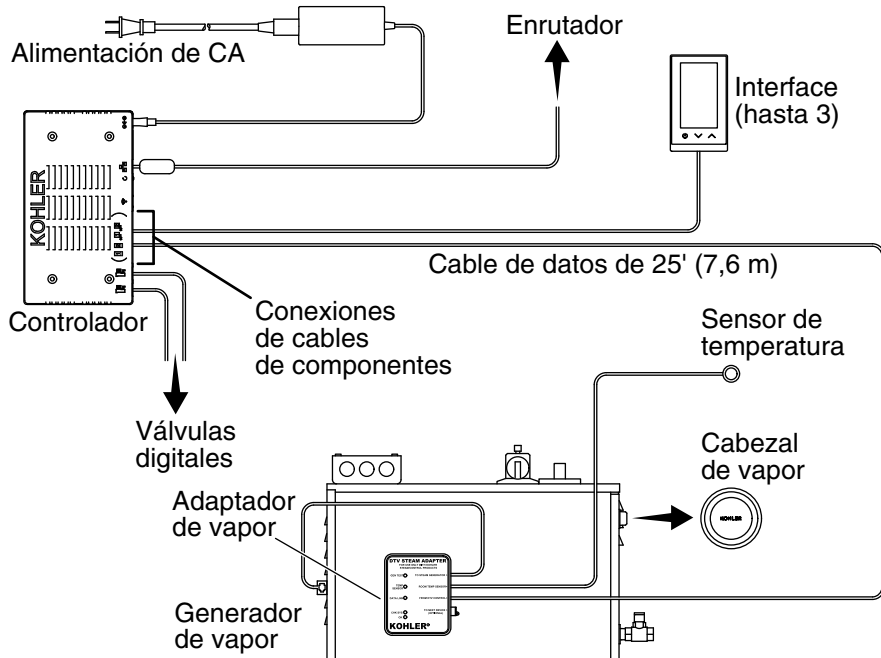
AVISO: No coloque la interface de usuario en la misma pared que los cabezales de vapor.

AVISO: El sensor de temperatura debe estar en la pared opuesta a los cabezales de vapor.

- De ser posible, instale los generadores de vapor y el controlador del sistema K-99695 antes de iniciar esta instalación.
- Coloque el cabezal de vapor 6" (152 mm) arriba del piso y a 4-1/2" (114 mm) de la parte interior del umbral.
- Si se usan dos cabezales de vapor, debe haber una distancia de por lo menos 12-1/2" (318 mm) entre el centro de cada orificio. No es necesario que los cabezales de vapor estén ubicados en la misma área.
- Ubique los cabezales de vapor lo más lejos que sea posible de las áreas para sentarse en la ducha.
- Ubique el sensor de temperatura en la pared 5" (127 mm) abajo del techo.

Antes de comenzar (cont.)

- Asegúrese de que haya espacio adecuado entre las líneas de vapor y las superficies circundantes, o aplique aislante apropiado a las líneas de vapor.



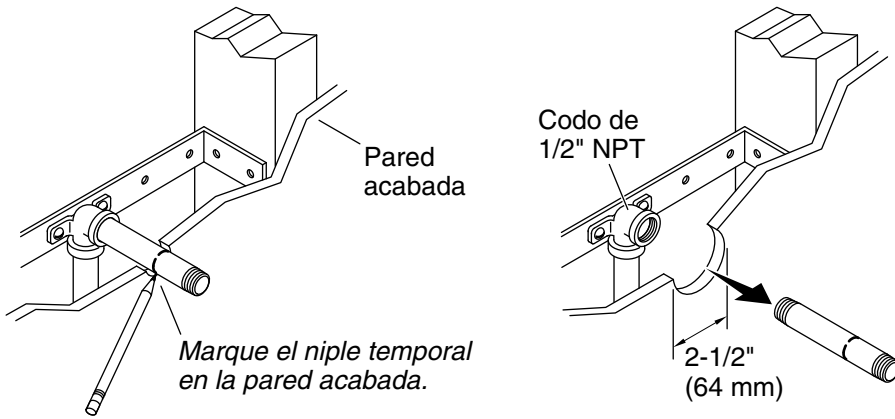
1. Distribución del sistema DTV+

El controlador del sistema K-99695 provee energía a las interfaces y controla el generador de vapor y otros componentes del sistema.

- Determine la ubicación de todos los componentes requeridos.
- Se incluye un cable de datos de 25 pies (7,6 m) para conectar el adaptador de vapor al controlador. Si el generador de vapor no está a menos de 25 pies (7,6 m) del controlador, agregue un cable de extensión y un acoplador. Consulte los componentes correctos en la página de servicio del kit adaptador de vapor para DTV+.

Antes de usar el sistema por primera vez:

Descargue e instale el software más reciente de los componentes conectados. Completar este proceso puede tomar una hora o más, de acuerdo a la configuración del sistema y a la velocidad de conexión de Internet. **No desconecte el suministro eléctrico de ningún componente durante la descarga y la instalación del software.**

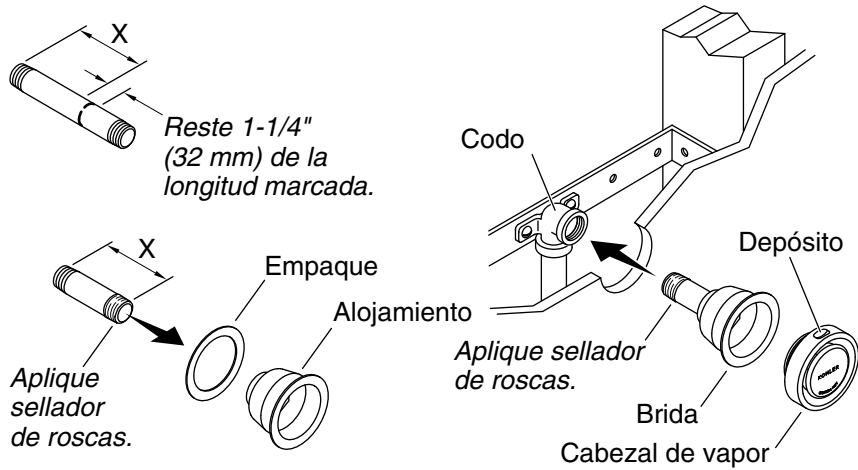


2. Prepare el sitio

NOTA: Esta sección continúa la instalación descrita en las instrucciones de instalación del generador de vapor. Cuando sea necesario, consulte más información en las instrucciones de instalación del generador de vapor.

NOTA: Si se usan dos cabezales de vapor, debe haber una distancia de por lo menos 12-1/2" (318 mm) entre los centros de los orificios. No es necesario que los cabezales de vapor estén ubicados en la misma pared. Instale 2 cabezales de vapor en distintas paredes para mejorar la distribución del vapor.

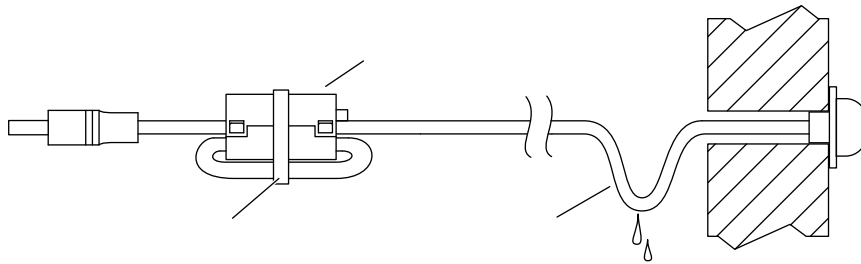
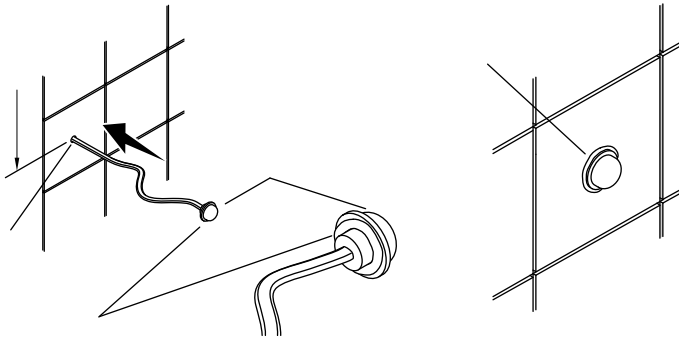
- Instale la pared acabada.
- Taladre o corte un orificio de 2-1/2" (64 mm) centrado alrededor del codo en la pared.
- Marque el niple temporal en la pared acabada.
- Retire el niple temporal del codo.



3. Instale los cabezales de vapor

AVISO: No obstruya el cabezal de vapor con llaves de paso, tapones o tapas.

- Reste 1-1/4" (32 mm) de la longitud marcada en el niple temporal para determinar el tamaño del niple adecuado.
- Escoja un niple con una longitud 1/8" (3 mm) menor del tamaño apropiado.
- Aplique sellador de roscas en un extremo del niple y apriételo a mano en el alojamiento.
- Aplique sellador de roscas al otro extremo del niple.
- Coloque el empaque en su alojamiento de tal forma que quede asentado entre la pared acabada y la brida del alojamiento.
- Use un dado de 1" para enroscar el alojamiento en el codo.
- Asegúrese de que el empaque quede comprimido para obtener un buen sello alrededor del alojamiento.
- De ser necesario, use un sellador apropiado para que el sello sea hermético.
- Oprima el cabezal de vapor en el alojamiento con el depósito colocado hacia arriba.



4. Instale el sensor de temperatura

¡IMPORTANTE! No coloque el sensor de temperatura directamente sobre el cabezal de vapor. Coloque el sensor de temperatura en la pared opuesta al cabezal de vapor.

¡IMPORTANTE! Forme un lazo de goteo en el cable del sensor de temperatura para evitar que la humedad siga el cable hasta el generador de vapor.

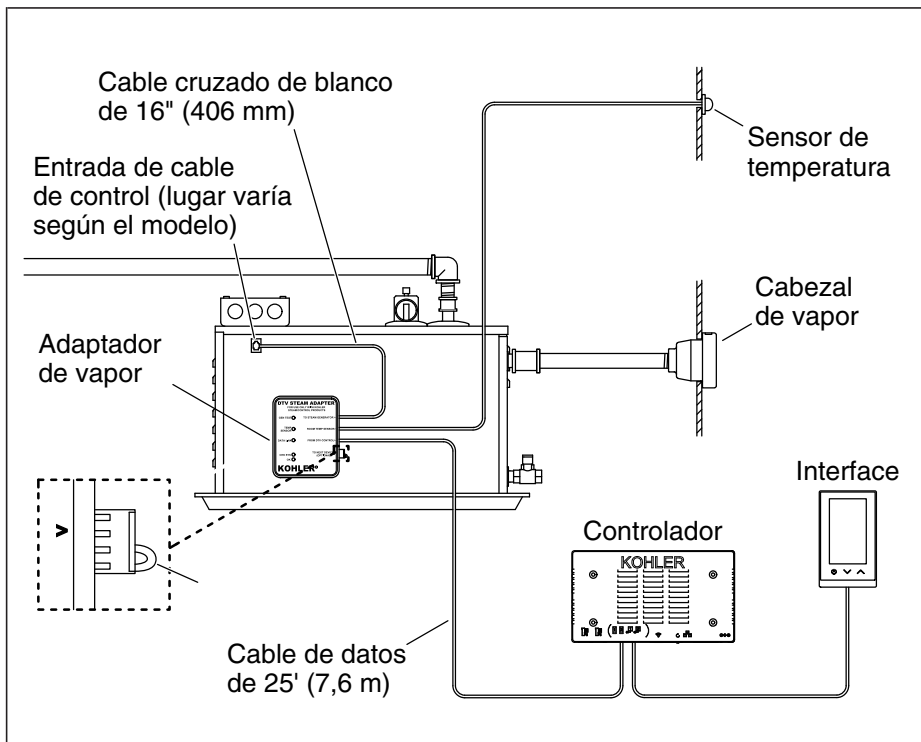
- Antes de seguir adelante, asegúrese de apagar la corriente eléctrica en el panel principal de interruptores de circuito.
- Ubique el sensor de temperatura en la pared 5" (127 mm) abajo del techo, en la pared opuesta al cabezal de vapor.
- Taladre un orificio de 7/16" en el lugar que haya elegido.

¡IMPORTANTE! No pellizque, clave, atore ni use demasiada fuerza al maniobrar el cable del sensor. Cualquier daño podría ocasionar una falla en el sensor de temperatura.

- Introduzca el cable del sensor de temperatura a través del orificio que taladró.

Instale el sensor de temperatura (cont.)

- Tienda el cable detrás de la pared hacia el lugar del generador de vapor.
- Aplique un pequeño hilo continuo de sellador 100 % de silicona al lado posterior del alojamiento del sensor. No deje que el sellador haga contacto con la sonda del sensor.
- Presione firmemente el sensor contra la pared.
- Fije provisionalmente el sensor en su lugar con cinta de enmascarar.
- Deje que el sellador cure antes de usar.
- Haga un lazo con el cable a través de la ferrita en el extremo con adaptador del cable, y cierre la ferrita a presión. Use el sujetacables provisto para envolver y fijar ligeramente el cable que forma el lazo y la ferrita.



5. Instale el adaptador – Cabezal de vapor sencillo

- Retire el protector adhesivo del adaptador de vapor.
- Monte el adaptador con firmeza al lado del generador de vapor.

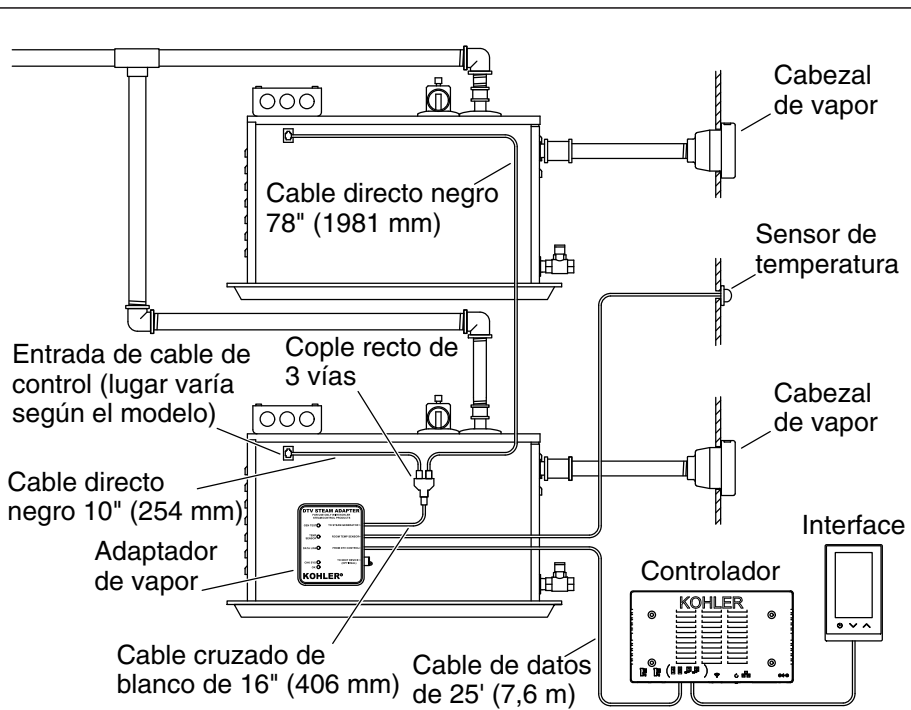
AVISO: No pellizque, clave, atore ni use demasiada fuerza al maniobrar el cable cruzado plateado. Cualquier daño podría ocasionar una falla en el adaptador. Si el adaptador no se va a instalar de inmediato, proteja los extremos del cable con cinta de enmascarar o con algún otro material protector.

NOTA: Se debe instalar el terminal si no se va a añadir equipo adicional en serie a este dispositivo. Si se va a conectar equipo adicional más adelante de este dispositivo, retire el terminal y siga las instrucciones empacadas con el equipo adicional.

- Aplique grasa dieléctrica en todos los conectores y cables.
- Conecte el cable cruzado de Ethernet blanco de 16" (406 mm) al adaptador de vapor y al generador de vapor.
- Conecte el cable del sensor de temperatura al puerto correspondiente en el adaptador de vapor.

Instale el adaptador – Cabezal de vapor sencillo (cont.)

- Conecte el cable de datos al adaptador de vapor, y tienda el cable al lugar de instalación del controlador.



6. Instale el adaptador – Cabezal de vapor doble

- Retire el protector adhesivo del adaptador de vapor.
- Monte el adaptador con firmeza al lado del generador de vapor.

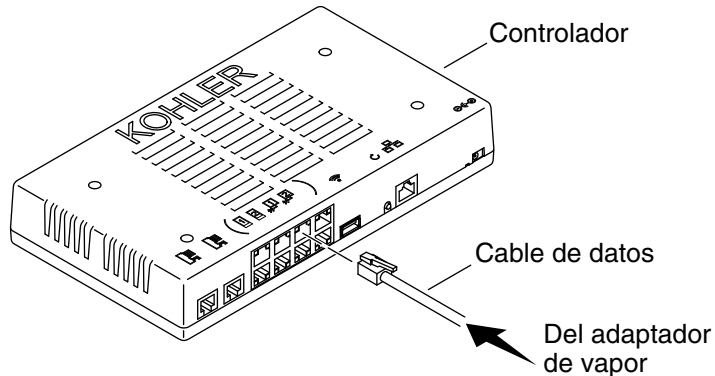
AVISO: No pellizque, clave, atore ni use fuerza indebida al maniobrar el cable cruzado blanco. Cualquier daño podría ocasionar una falla en el adaptador. Si el adaptador no se va a instalar de inmediato, proteja los extremos del cable con cinta de enmascarar o con algún otro material protector.

NOTA: Se debe instalar el terminal si no se va a añadir equipo adicional en serie a este dispositivo. Si se va a conectar equipo adicional más adelante de este dispositivo, retire el terminal y siga las instrucciones empacadas con el equipo adicional.

- Aplique grasa dieléctrica en todos los conectores y cables.
- Conecte el cable cruzado blanco de 16" (406 mm) al adaptador de vapor y al lado de entrada del cople de 3 vías.
- Conecte el otro cable directo negro de 10" (254 mm) al lado de salida del cople de 3 vías y al primer generador.

Instale el adaptador – Cabezal de vapor doble (cont.)

- Conecte el cable directo negro de 78" (1981 mm) al lado de salida del cople de 3 vías y al segundo generador.
- Conecte el cable del sensor de temperatura al puerto correspondiente en el adaptador de vapor.
- Conecte el cable de datos al adaptador de vapor, y tienda el cable al lugar de instalación del controlador.

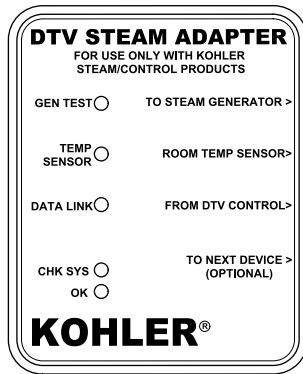


7. Termine de hacer la instalación

- Si no está ya instalado, instale el controlador del sistema K-99695 de acuerdo a las instrucciones incluidas con el producto.
- Aplique grasa dieléctrica en el conector.
- Conecte el cable de datos en uno de los 8 puertos agrupados de componentes en el controlador.
- Abra el suministro de agua.
- Restaure el suministro eléctrico al panel principal de interruptores de circuito.
- En la guía en la página del producto controlador en us.kohler.com puede consultar información acerca de la configuración y del funcionamiento del sistema.

Antes de usar el sistema por primera vez:

Descargue e instale el software más reciente de los componentes conectados. Completar este proceso puede tomar una hora o más, de acuerdo a la configuración del sistema y a la velocidad de conexión de Internet. **No desconecte el suministro eléctrico de ningún componente durante la descarga y la instalación del software.**



Funcionamiento

Luces LED de estado

- "GEN TEST" = conexión/función del generador de vapor.
- "TEMP SENSOR" = conexión/función del sensor de temperatura.
- "DATA LINK" = conexión/función del cable de datos.

Funcionamiento normal

- Cada una de las luces LED principales ("GEN TEST", "TEMP SENSOR", y "DATA LINK") centellea en verde una vez cada segundo (1 segundo iluminada, 1 segundo apagada).

Funcionamiento anormal

- Una o más de las luces LED de estado principales ("GEN TEST", "TEMP SENSOR", y "DATA LINK") está apagada, iluminada centelleando en rojo, iluminada en verde constante, o iluminada en rojo constante.
- Consulte la sección "Resolución de problemas" para obtener más información.

Función de autolimpieza



ADVERTENCIA: Riesgo de lesiones personales. La temperatura del cuarto de vapor será demasiado alta cuando se activa la función de autolimpieza. **No** entre al cuarto de vapor mientras la función de autolimpieza esté activada.

AVISO: Los usuarios reciben un recordatorio automático para usar autolimpieza después de 600 minutos de uso del generador de vapor. El generador de vapor puede usarse 3 veces más antes de que deba activarse la función de autolimpieza. Si no inicia la

Funcionamiento (cont.)

autolimpieza después del tercer recordatorio, el sistema se bloquea. Es necesario iniciar la autolimpieza para volver a usar el vapor.

NOTA: Al activar la función de autolimpieza, el cabezal de vapor descarga agua.

Cuidado y limpieza

Para obtener los mejores resultados, tenga presente lo siguiente al limpiar su producto KOHLER:

- Siempre pruebe la solución de limpieza en un área oculta antes de aplicarla a toda la superficie.
- Limpie con un paño las superficies, y enjuague completa e inmediatamente con agua después de haber aplicado algún limpiador. Enjuague y seque las superficies cercanas donde hayan caído salpicaduras.
- No deje mucho tiempo los limpiadores en las superficies.
- Utilice una esponja humedecida, o un paño suave y húmedo. Para limpiar las superficies nunca utilice materiales abrasivos, como cepillos o estropajos.

Para obtener información detallada de limpieza y de productos a considerar, visite www.kohler.com/clean. Para solicitar información sobre cuidado y limpieza, llame al 1-800-456-4537.

Resolución de problemas

NOTA: Para resolver problemas del sistema DTV+, consulte la guía en la página del producto controlador K-99695 en us.kohler.com.

NOTA: Para consultar información sobre piezas de repuesto, visite la página de su producto en kohler.com/serviceparts.

Esta guía de resolución de problemas está diseñada únicamente como ayuda general. Si tiene preguntas con respecto al servicio y a la instalación, llame a 1-800-4KOHLEER.

Resolución de problemas (cont.)

Síntomas	Causas probables	Acción recomendada
1. Aparece Error 0140.	A. El nivel de agua en el tanque está demasiado bajo (la luz verde de estado en el generador de vapor está iluminada).	A. Revise el tamiz de la entrada de agua y límpielo si es necesario. Asegúrese de que la válvula de suministro de agua esté abierta y de que se esté suministrando agua al generador de vapor.
	B. El límite de temperatura del tanque ha sido excedido (la luz de estado verde en el generador de vapor está apagada).	B. Comuníquese con el Centro de Atención al Cliente mediante la información en la página posterior de este manual.
	C. Los componentes internos del generador de vapor no están funcionando correctamente.	C. Comuníquese con el Centro de Atención al Cliente mediante la información en la página posterior de este manual.
2. Aparece Error 0120.	A. La temperatura en el cuarto de vapor ha excedido el nivel máximo permisible.	A1. Restablezca suministro eléctrico al generador de vapor y ventile el cuarto de vapor para que salga el exceso de calor.
		A2. Cambie de lugar el sensor de temperatura para alejarlo del cabezal de vapor o de cualquier otra fuente de calor.
		A3. Llame al Centro de Atención al Cliente mediante la información en la página posterior de este manual.

Resolución de problemas (cont.)

Síntomas	Causas probables	Acción recomendada
3. Aparece Error 0104.	A. El sensor de temperatura no está conectado.	A. Conecte el sensor de temperatura.
	B. El sensor de temperatura está dañado.	B. Comuníquese con el Centro de Atención al Cliente mediante la información en la página posterior de este manual.
4. Aparece Error 0408.	A. Ha ocurrido un error de comunicación.	A. Restablezca el sistema en la interface del usuario.
5. Las luces en el adaptador están apagadas.	A. El suministro eléctrico al generador de vapor es inadecuado (la luz verde de estado en el generador de vapor está apagada).	A. Aplique el suministro eléctrico adecuado al generador de vapor. De ser necesario, use el kit de prueba que se incluye para asegurar que el generador de vapor esté funcionando correctamente.
	B. La interface del usuario no está recibiendo suministro eléctrico del generador de vapor (la luz verde de estado en el generador de vapor está iluminada).	B. Use el kit de prueba incluido y las instrucciones para identificar el origen del problema.
	C. La interface del usuario está dañada (la luz verde de estado en el generador está iluminada).	C. Comuníquese con el Centro de Atención al Cliente mediante la información en la página posterior de este manual.
6. La luz "GEN TEST" está centelleando en rojo.	A. Ha ocurrido un error en el generador de vapor.	A. Revise el código de error en la interface del usuario. Vea el código de error correspondiente en este documento.

Resolución de problemas (cont.)		
Síntomas	Causas probables	Acción recomendada
7. La luz "TEMP SENSOR" está centelleando en rojo.	A. El sensor de temperatura no está conectado.	A. Conecte el sensor de temperatura.
	B. El sensor de temperatura está dañado.	B. Comuníquese con el Centro de Atención al Cliente mediante la información en la página posterior de este manual.
8. La luz "DATA LINK" está centelleando en rojo.	A. Todavía no se establece una conexión al controlador.	A. Espere a que se establezca la conexión.
	B. No se puede establecer una conexión al controlador.	B. Desconecte y vuelva a conectar el cable que conecta el adaptador al controlador. Revise si el cable está dañado y cámbielo de ser necesario.
	C. Ha ocurrido un error.	C1. Revise el código de error en la interface del usuario. Vea el código de error correspondiente en este documento. C2. Restablezca suministro eléctrico al generador de vapor y al controlador. C3. Restablezca el sistema en la interface del usuario.
9. El menú de vapor desaparece después de solicitar vapor.	A. Los cables entre los generadores de vapor y el adaptador están instalados incorrectamente.	A1. Vuelva a instalar los cables negros y/o blancos entre los generadores de vapor y el adaptador, de acuerdo a las instrucciones en la guía de instalación.

Resolución de problemas (cont.)		
Síntomas	Causas probables	Acción recomendada
		A2. Llame al Centro de Atención al Cliente mediante la información en la página posterior de este manual.
10. El indicador no muestra la función de vapor.	A. El suministro eléctrico al generador de vapor es inadecuado (la luz verde de estado en el generador de vapor está apagada).	A1. Aplique el suministro eléctrico adecuado al generador de vapor. Si es necesario use el kit de prueba, que se incluye, para asegurar que el generador de vapor esté funcionando correctamente.
		A2. Llame al Centro de Atención al Cliente mediante la información en la página posterior de este manual.
	B. El adaptador está dañado (la luz verde de estado en el generador de vapor está iluminada).	B1. Use el kit de prueba incluido y las instrucciones para identificar el origen del problema.
		B2. Llame al Centro de Atención al Cliente mediante la información en la página posterior de este manual.
11. Agua del cabezal de vapor.	A. Funcionamiento normal.	A1. Es normal la presencia de una pequeña cantidad de agua descargada del cabezal de vapor justo antes, durante y justo después del uso de vapor.

Resolución de problemas (cont.)		
Síntomas	Causas probables	Acción recomendada
		A2. Es normal que salga agua del cabezal de vapor durante el ciclo de autolimpieza.
	B. Las líneas de suministro de agua están conectadas incorrectamente.	B. Revise la guía de instalación del generador de vapor y vuelva a instalar las líneas en los lugares apropiados.
	C. Los componentes internos del generador de vapor no están funcionando correctamente.	C1. Cierre el suministro de agua al generador de vapor. Si es posible, vacíe el tanque. Abra lentamente la válvula de suministro de agua para rellenar el generador de vapor.
		C2. Llame al Centro de Atención al Cliente mediante la información en la página posterior de este manual.
12. No sale vapor después de 5 minutos de haber activado el vapor.	A. Ha ocurrido un error.	A. Vea si hay mensajes de error en la interface del usuario. Si aparece un mensaje de error, consulte la resolución de problemas para el mensaje de error.
	B. Ya se ha alcanzado la temperatura preseleccionada.	B. Confirme que la temperatura preseleccionada sea más alta que la temperatura actual del cuarto de vapor. Si lo desea, aumente la temperatura preseleccionada.

Resolución de problemas (cont.)

Síntomas	Causas probables	Acción recomendada
	C. El suministro eléctrico al generador de vapor es inadecuado (la luz verde de estado en el generador de vapor está apagada).	C1. Aplique el suministro eléctrico adecuado al generador de vapor. De ser necesario, use el kit de prueba que se incluye para asegurar que el generador de vapor está funcionando correctamente.
		C2. Llame al Centro de Atención al Cliente mediante la información en la página posterior de este manual.
	D. Los cables entre los generadores de vapor y el adaptador están instalados incorrectamente.	D. Vuelva a instalar los cables negros y/o plateados entre los generadores de vapor y el adaptador, de acuerdo a las instrucciones en la guía de instalación.
	E. La línea de vapor o el cabezal de vapor están bloqueados.	E. Revise que no haya obstrucciones en el cabezal de vapor o en la línea de vapor. Repare si es necesario.
	F. El generador de vapor está dañado.	F1. Use el kit de prueba incluido para revisar el funcionamiento del generador de vapor.
F2. Llame al Centro de Atención al Cliente mediante la información en la página posterior de este manual.		

Resolución de problemas (cont.)

Síntomas	Causas probables	Acción recomendada
13. El vapor dejó de salir.	A. Ha ocurrido un error.	A. Vea si hay mensajes de error en la interface del usuario. Si aparece un mensaje de error, consulte la resolución de problemas para el mensaje de error.
	B. Se llegó al límite de tiempo de la sesión o se llegó a la temperatura preseleccionada.	B. Vuelva a iniciar el temporizador de la sesión o aumente la temperatura preseleccionada para que el vapor vuelva a producirse.

USA/Canada: 1-800-4KOHLER

México: 001-800-456-4537

kohler.com

THE BOLD LOOK
OF **KOHLER**®

©2018 Kohler Co.

1381955-2-A