

### FEATURES

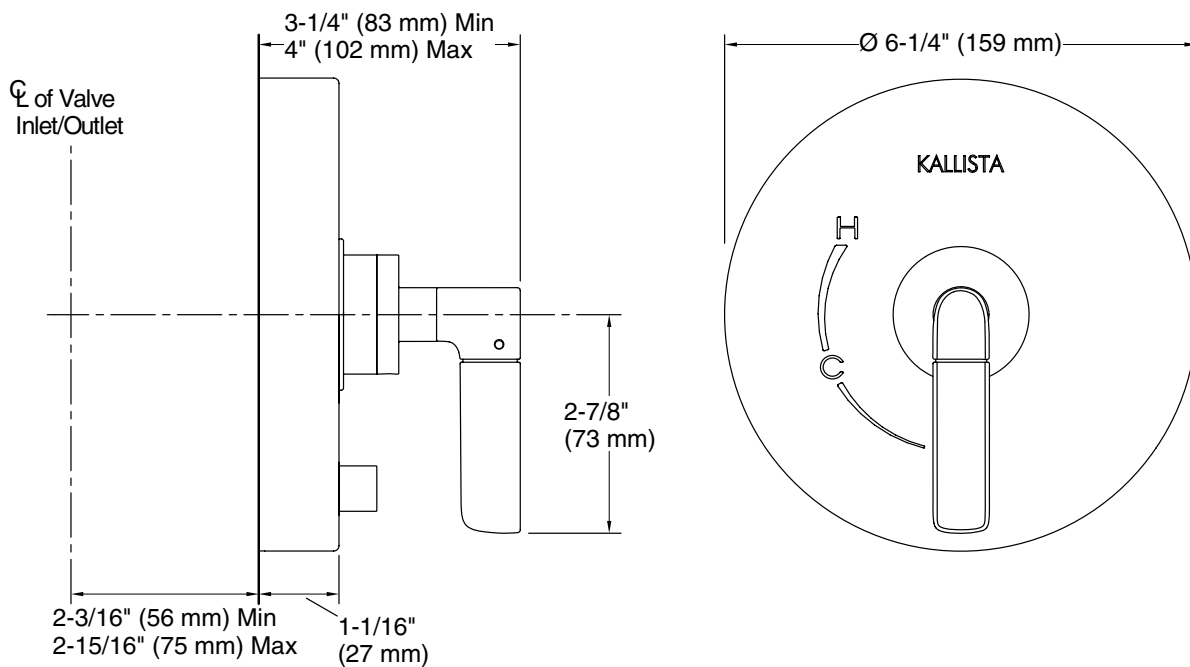
- Brass construction for durability and reliability
- Pressure-balancing technology maintains water temperature within +/-3 degrees Fahrenheit
- High-temperature limit stop helps eliminate scalding
- Complements transitional and contemporary designs as well as One™ collection
- For project/hospitality specifications only

### CODES/STANDARDS APPLICABLE

Specified model meets or exceeds the following:

- ASME A112.18.1/CSA B125.1
- ADA
- CSA B651
- OBC

# P23333



SPECIFIED MODEL			
Model	Description	Finishes	
P23333-LV	One Nazaré Pressure Balance Trim with Diverter	<input type="checkbox"/> CP Polished Chrome	<input type="checkbox"/> SN Polished Nickel
Required Rough-In			
P29305-00	Pressure Balance with Diverter Rough-in	<input type="checkbox"/> NA	
P29305-WS	Pressure Balance with Diverter Rough-in with Stops	<input type="checkbox"/> NA	

We reserve the right to make revisions without notice in the design of products or in packaging unless this right has specifically been waived at the time the order is accepted.