

### FEATURES

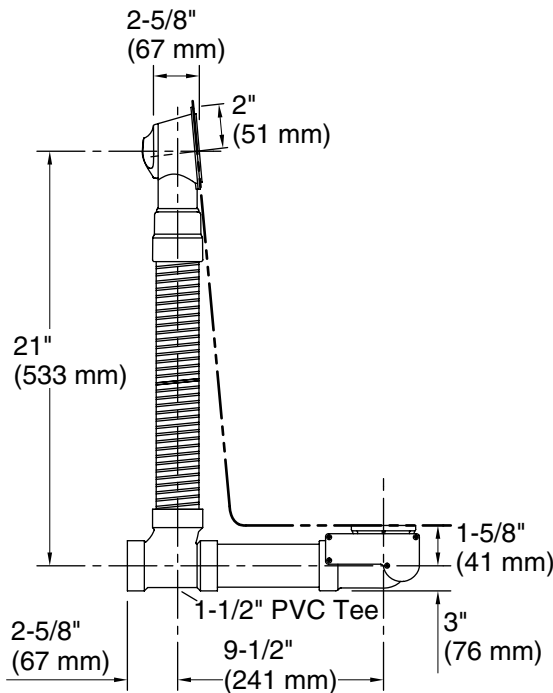
- For baths 14" (356 mm) to 21" (533 mm) deep from the center of the bath overflow outlet to the center of the bath drain outlet
- 30" (762 mm) length external cable
- Includes a tee, drain ell, and overflow ell with attached 1-1/2" OD Pipe
- Flexible overflow joint conforms to various bath angles
- No internal linkages to minimize the potential for clogging
- Metal construction control handle and stopper
- Flexible overflow neck for easy installation to fit various bath angles
- Allows multiple installation methods (through the floor, along the floor)

### CODES/STANDARDS APPLICABLE

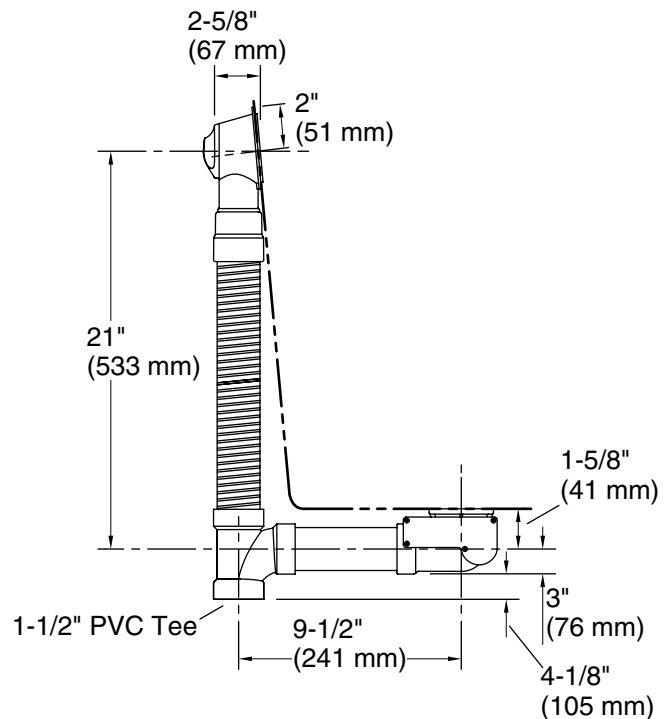
Specified model meets or exceeds the following:

- ASME A112.18.2/CSA B125.2

# P21932



**Above-the-Floor**



**Through-the-Floor**

### SPECIFIED MODEL

Model	Description	Finishes			
P21932-00	Basic Drain Assembly	<input type="checkbox"/> NA			
Recommended Accessories					
P21930	Drain Trim Kit-Modern	<input type="checkbox"/> CP Polished Chrome	<input type="checkbox"/> AF French Gold	<input type="checkbox"/> PB Polished Brass	<input type="checkbox"/> BL Matte Black
		<input type="checkbox"/> SN Polished Nickel	<input type="checkbox"/> BN Brushed Nickel	<input type="checkbox"/> BV Brushed Bronze	
P21931	Drain Trim Kit-Traditional	<input type="checkbox"/> CP Polished Chrome	<input type="checkbox"/> AF French Gold	<input type="checkbox"/> PB Polished Brass	<input type="checkbox"/> BL Matte Black
		<input type="checkbox"/> SN Polished Nickel	<input type="checkbox"/> BN Brushed Nickel	<input type="checkbox"/> BV Brushed Bronze	

We reserve the right to make revisions without notice in the design of products or in packaging unless this right has specifically been waived at the time the order is accepted.