

23774T-7 Dual Shower UI
25374T-ZZ Body Spray UI

BEFORE YOU BEGIN

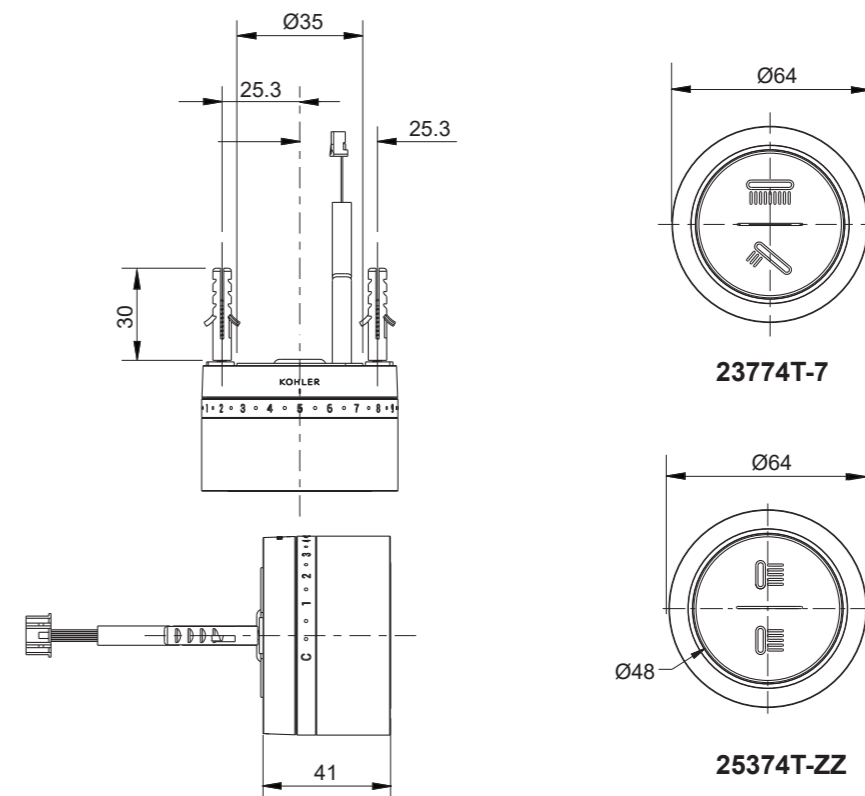
All information is based on the latest product information available at the time of publication. Kohler Co. reserves the right to make changes in product characteristics, packaging, or availability at any time without notice.

Please leave these instructions for the consumer. They contain important information.

NOTES:

1. Observe all plumbing, electrical, and building codes.
2. Isolate the electrical and water supplies before commencing installation.
3. DO NOT modify or extend the cables supplied with the product.
4. When possible, install the valve prior to installing the interface.
5. Ambient Temperature: 1°C - 40°C; Maximum Relative Humidity: 95% non-condensing; Supply Voltage: 12 Vdc SELV(Safety Extra-Low Voltage) 2W max.

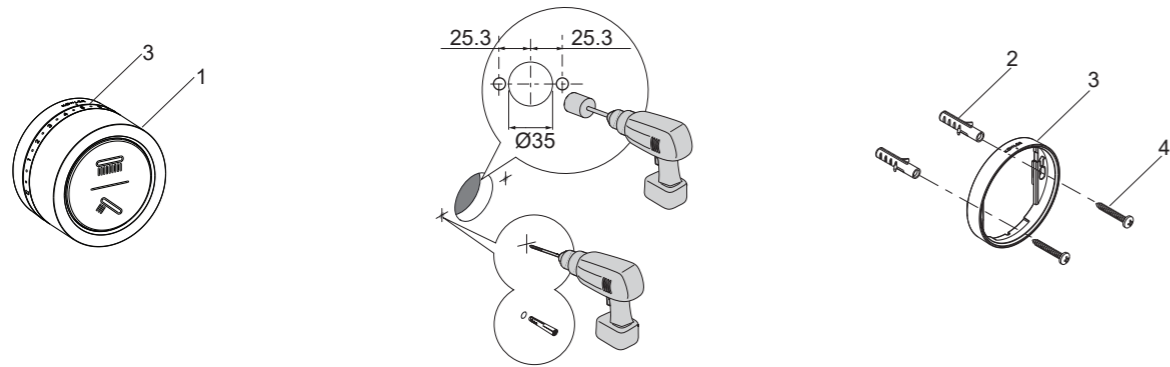
ROUGH-IN DIMENSIONS



INSTALLATION

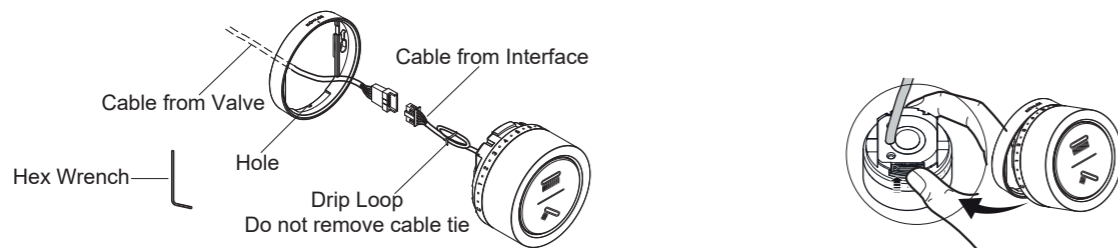
- Press the buckle at the back of the interface to uninstall the backplate(3). Place the backplate at the position on the wall where you intend to install the interface(1). Make sure that the backplate is level, keep "KOHLER" logo upwards.
- Mark the positions of the fixing holes on the wall. Drill the holes for the interface cable as per the dimensions and the diameter of anchors(2).

Caution! Be aware of hidden pipes or cables. For solid walls, drill the fixing holes for the backplate with a 6mm drill and insert the anchors.



- Fit the backplate to the wall with the fixing screws(4). Make sure that the backplate is level, keep "KOHLER" logo upwards. Route the cable from the valve through the wall. Connect the cable at the back of the interface to the cable that comes from the valve as shown.
- Locate the top of the interface in the backplate and press down to secure in position.

Notes: Insert one end of a hex wrench into the hole on the backplate to remove the button, replace it if needed during maintenance.



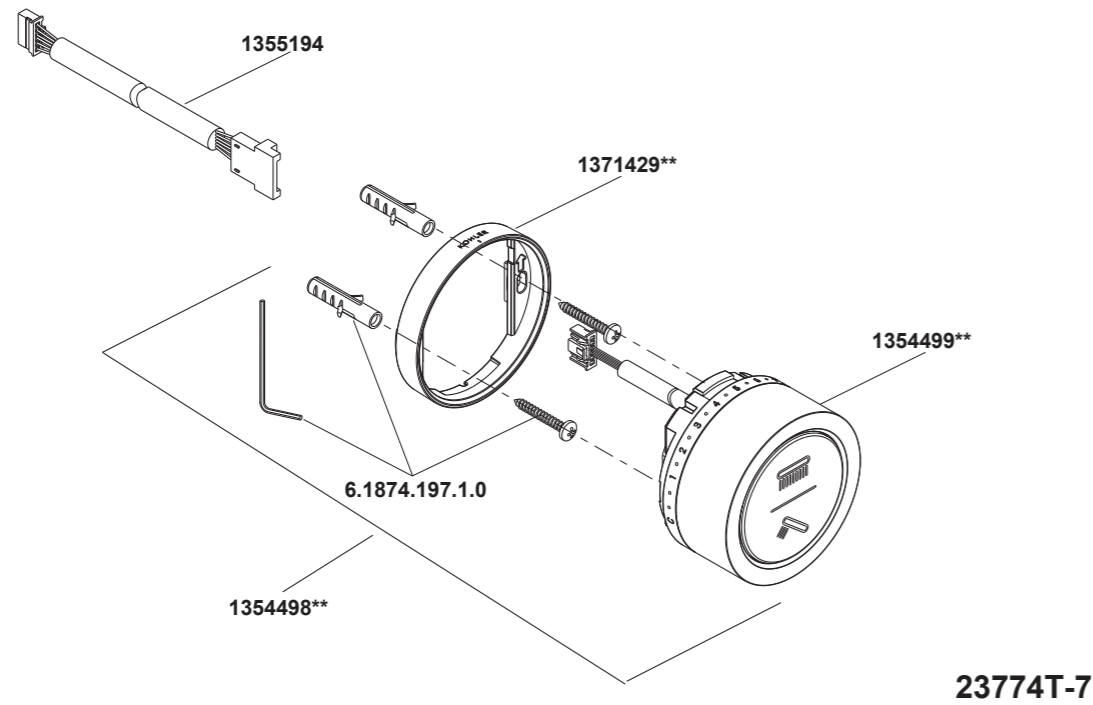
COMPLETE THE INSTALLATION

NOTES: Do not plug in the power cord until all interface cables are connected.

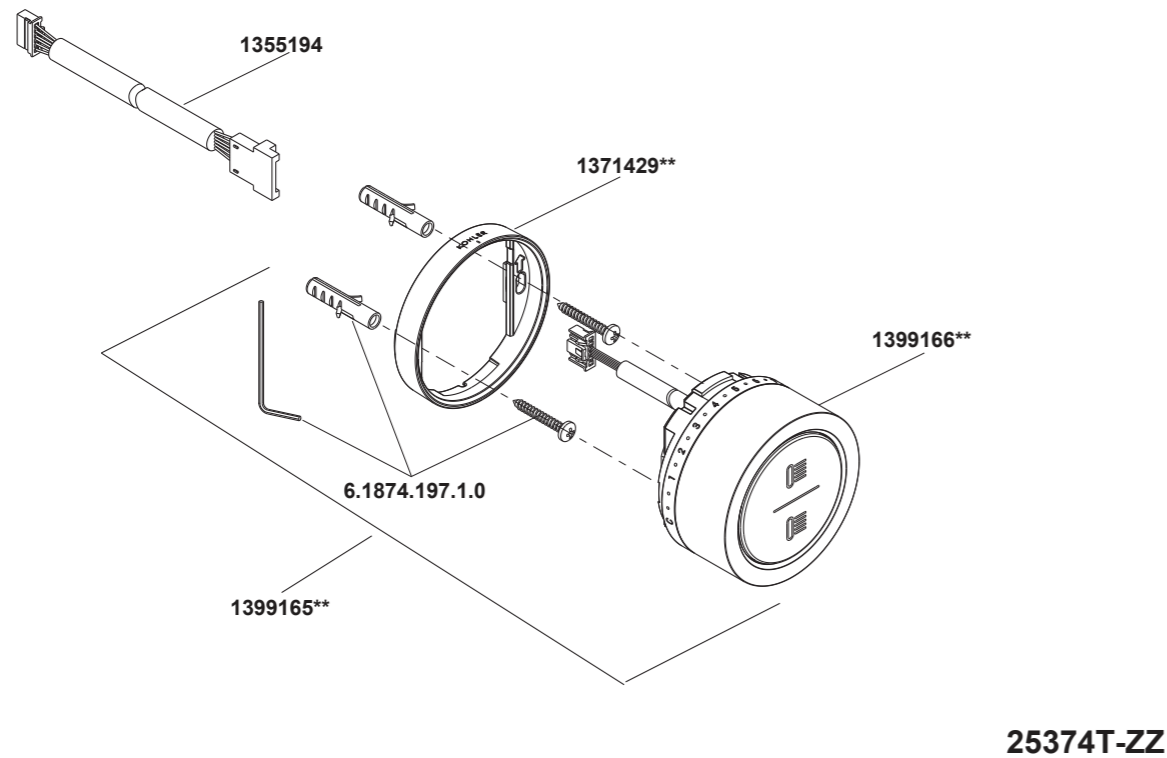
NOTES: Make drip loops in all cables and cords.

- Route the interface cable in the wall from the valve location to the interface installation location.
- Connect the interface cable to the valve.
- Verify there is power to the electrical outlet.
- Plug the power cord into the outlet.

23774T-7 Dual Shower UI
25374T-ZZ Body Spray UI



23774T-7



25374T-ZZ

**Color code must be specified when ordering.

INSTALLATION CHECKOUT

- Make sure all the connections are tightened.
- Turn on the water supply to the valve.
- Press the icon on the interface. The interface screen will be lit and the shower should be turned on.
- Check all connections for leaks and make any adjustments as needed.

OPERATION INSTRUCTIONS

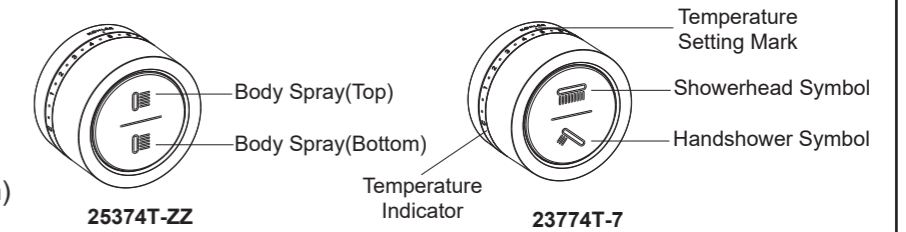
How to Operate the Interface

Showerhead Symbol - (Top Button)

Turn showerhead On/Off.

Handshower Symbol - (Bottom Button)

Turn handshower On/Off.

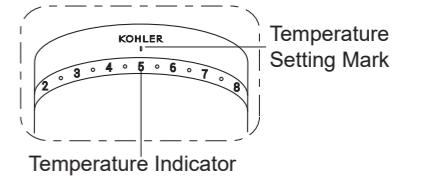


NOTES: Showerhead and handshower can be used at the same time. For 25374T-ZZ, pressing the top and bottom symbol can turn on/off the related body spray.

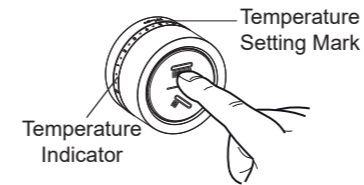
Rotary movement selects showering temperature. The larger the number which the temperature setting mark is aligned, the higher the temperature. "C" is for full cold water, "H" is for pre-set Max temperature.

NOTES: The factory default maximum temperature is set to 45°C. And the default maximum time of water outflow is 30 minutes, it will be turned off automatically after 30minutes.

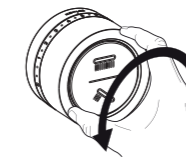
When you turn on the product and water begins to flow, the temperature indicator light will begin to flash to show the product is warming up. Once the preselected outlet temperature has been reached, the indicator light will stop flashing.



SETTINGS

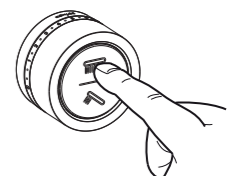


When the shower is in the off position, hold down the showerhead button for 10 seconds, the lights will pulse slow to indicate setting mode.



Adjust temperature indicator according to the table below to set desired maximum temperature. The scale on the indicator which the temperature setting mark is aligned represents the selected maximum temperature. **Caution!** Make sure that the maximum outlet temperature is suitable and safe for all users.

Temp Indicator Position	Temp (°C)
C	Exit No Change
1 - 3	41
4 - 6	45
7 - 9	48
H	Exit No Change



Press the showerhead button to set the maximum temperature. The temperature indicator light will flash three times to confirm the setting has been completed.

Notes: For 25374T-ZZ, please follow all the setting steps through pressing top body spray symbol.

TROUBLESHOOTING

WARNING: Risk of electric shock. Disconnect power before performing any maintenance. When disconnected, the product will no longer be electrically live, which will eliminate the risk of electric shock.

CAUTION: Risk of personal injury. The valve may contain hot water; be careful when draining any residual water.

NOTES: Turn off the power and water supply to the valve before performing any maintenance to the valve.

It is recommended that any valve maintenance should be performed by a Kohler Co. Authorized Service Representative.

This troubleshooting guide is for general aid only. For service and installation issues or concerns, call 800-820-2628.

Troubleshooting Table

Symptoms	Probable Cause	Recommended Action
1. No Lights on interface.	A. Not connected to valve. B. No power to valve. C. Faulty user interface.	A. Check connections, connect if needed. B. Check power supply, connect if needed. C. Contact your Kohler Co. Authorized Service Representative.
2. Interface Button Flashing (2 times a second).	A. Stuck button on interface. B. Intermittent connection to valve. C. Digital Mixing Valve fault. D. Wrong interface connected.	A. Contact your Kohler Co. Authorized Service Representative. B. Check connections, connect if needed. C. Contact your Kohler Co. Authorized Service Representative. D. Contact your Kohler Co. Authorized Service Representative.
3. Temperature Indicator and Interface, button flashing (2 times a second).	A. Over temperature error	A. Contact your Kohler Co. Authorized Service Representative.
4. All Interface Button Flashing (2 times a second) & Temperature Indicator and Interface button flashing (2 times a second)		A. Turn off the mains power to the product & reboot after 10 seconds. If the fault is not rectified, then Contact Customer Services.

CLEANING INSTRUCTIONS

All Finishes: Clean the finish with mild soap and warm water. Wipe entire surface completely dry with clean soft cloth. Many cleaners may contain chemicals, such as ammonia, chlorine, toilet cleaner etc. which could adversely affect the finish and are not recommended for cleaning.

Do not use abrasive cleaners or solvents on Kohler faucets and fittings.

Statistics of Contents of Toxic or Hazardous Substances or Elements

Part name	Toxic or Hazardous Substance or Elements					
	Lead (Pb)	Mercury (Hg)	Cadmium (Cd)	Hexavalent Chromium (Cr(VI))	Polybrominated biphenyls (PBB)	Polybrominated Diphenyl Ethers (PBDE)
Interface Assy	×	○	○	○	○	○
Connection Assy	×	○	○	○	○	○
Mounting Assy	○	○	○	○	○	○

○: Indicates that the substance in the material composition is below the high limits of the current requirements in GB/T 26572.

×: Indicates that at least one of the homogeneous substance in the material composition is above the high limits of the current requirements in GB/T 26572.

Note: the information provided is based on the supplier data and Kohler inspection results. The product is designed not to hurt the environment. Under current technology, all hazardous materials have been used in the smallest amounts possible. Kohler will strive to reduce the use of these hazardous materials used in this product.



The product "service life for environment protection" is 10 years; Kohler Company will specify product service life based on product characteristics. The product "service life for environment protection" is only effective when the product is used as described in the product specification.