

23775T-7 Bath Filler And Handshower UI

BEFORE YOU BEGIN

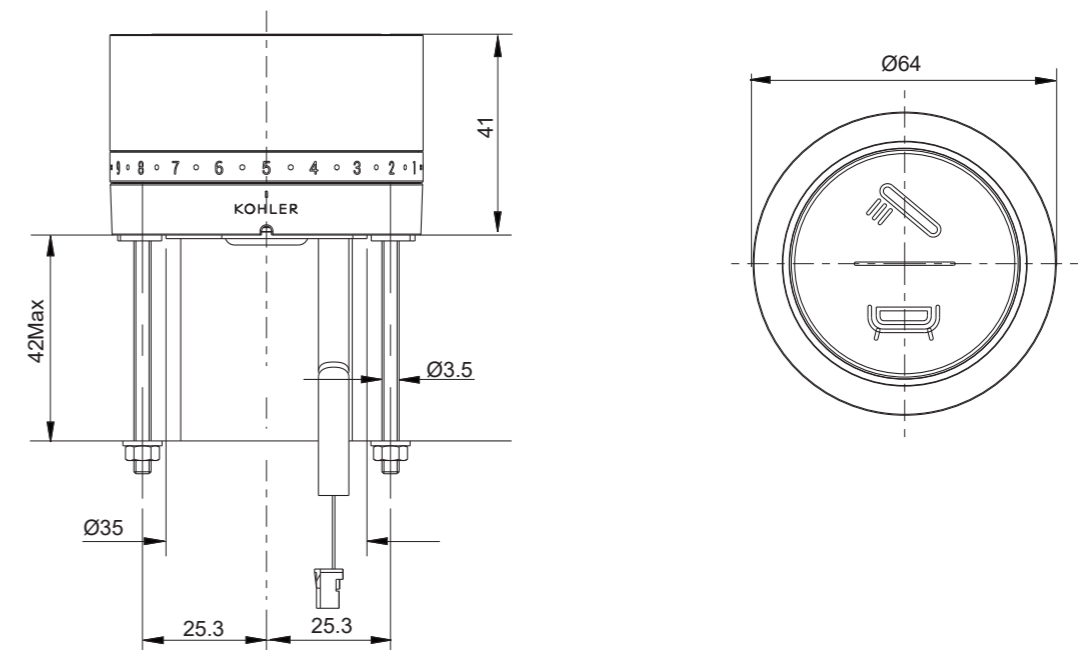
All information is based on the latest product information available at the time of publication. Kohler Co. reserves the right to make changes in product characteristics, packaging, or availability at any time without notice.

Please leave these instructions for the consumer. They contain important information.

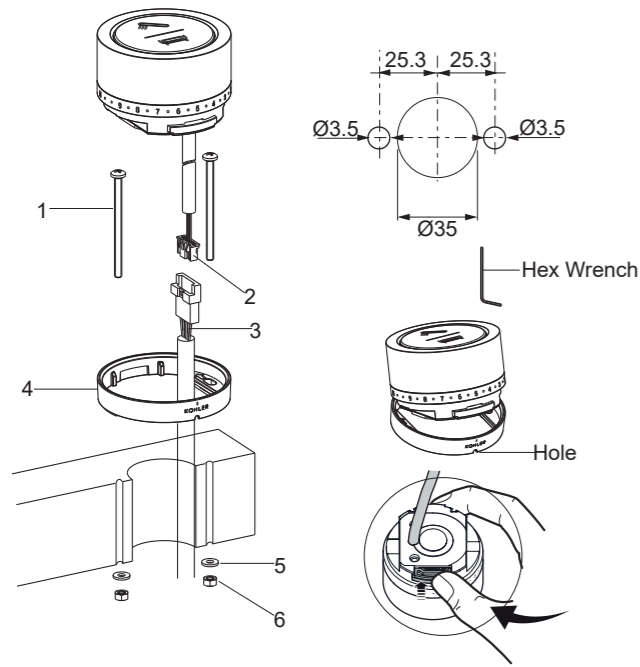
NOTES:

1. Observe all plumbing, electrical, and building codes.
2. Isolate the electrical and water supplies before commencing installation.
3. DO NOT modify or extend the cables supplied with the product.
4. When possible, install the valve prior to installing the interface.
5. Ambient Temperature: 1°C - 40°C; Maximum Relative Humidity: 95% non-condensing; Supply Voltage: 12 Vdc SELV(Safety Extra-Low Voltage) 2W max.

ROUGH-IN DIMENSIONS



INSTALLATION



□ Press the buckle at the back of the interface to uninstall the backplate(4). Place the backplate at the position where you intend to install the interface. Make sure that the backplate is level, and keep “KOHLER” logo pointing front.

□ Mark the positions of the fixing holes on the bathtub. Drill the holes for the interface cable per the dimensions.

□ Fit the backplate to the bathtub with the fixing screws(1). Make sure that the backplate is level, and keep “KOHLER” logo pointing front. Tighten the nuts(6) with washers(5) to secure the backplate from underside.

□ Connect the cable(2) at the back of the interface to the cable(3) that comes from the valve.

□ Locate the top of the interface in the backplate and press down to secure in position.

Notes: Insert one end of a hex wrench into the hole on the backplate to remove the button, replace it if needed during maintenance.

COMPLETE THE INSTALLATION

NOTES: Do not plug in the power cord until all interface cables are connected.

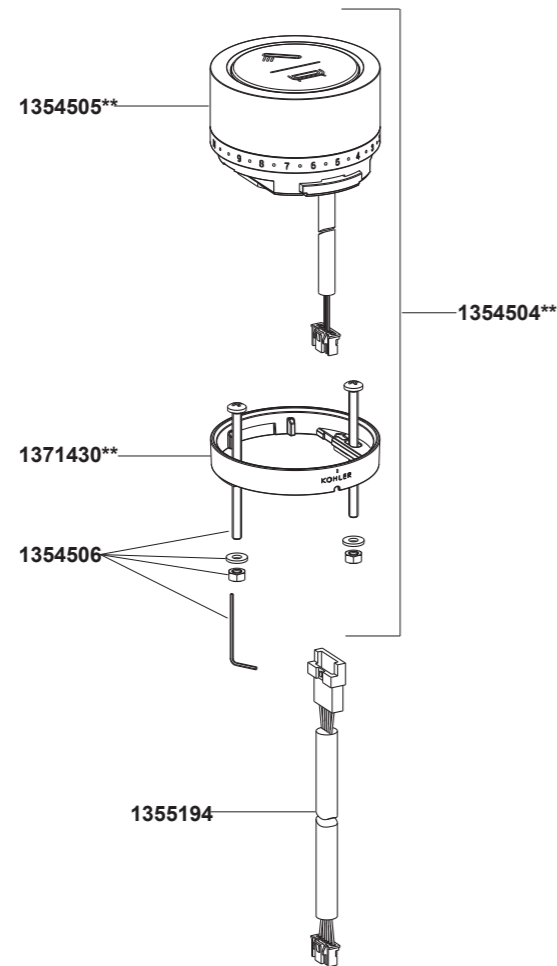
NOTES: Make drip loops in all cables and cords.

- Route the interface cable in the wall from the valve location to the interface installation location.
- Connect the interface cable to the valve.
- Verify there is power to the electrical outlet.
- Plug the power cord into the outlet.

INSTALLATION CHECKOUT

- Make sure all the connections are tightened.
- Turn on the water supply to the valve.
- Press the icon on the interface. The interface screen will be lit and the shower should be turned on.
- Check all connections for leaks and make any adjustments as needed.

23775T-7 Bath Filler And Handshower UI



**Color code must be specified when ordering.

OPERATION INSTRUCTIONS

How to Operate the Interface

Handshower Symbol - (Top Button)
Turn handshower On/Off.

Bath Spout Symbol - (Bottom Button)
Turn bath spout On/Off.

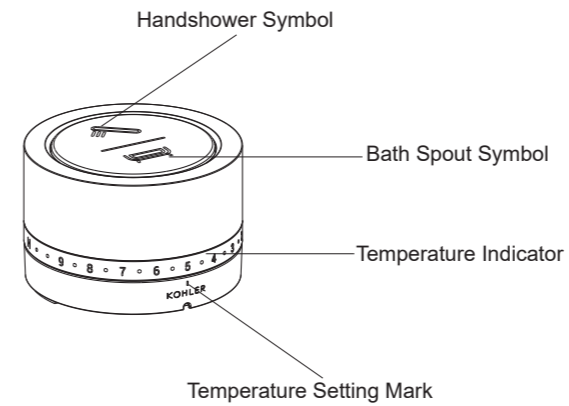
NOTES: Handshower and bath spout can not be used at the same time, turn on one outlet, the other outlet will be turned off.

Rotary movement selects showering temperature. The larger the number which the temperature setting mark is aligned, the higher the temperature. "C" is for full cold water, "H" is for pre-set Max temperature.

NOTES: Press the bath spout symbol will start the bathfill mode, the water temperature and the bathfill time are pre-set by default. Adjust the temperature indicator for desired temperature if needed.

NOTES: The factory default maximum temperature is set to 45°C. And the default maximum time of water outflow for handshower is 30 minutes, it will be turned off automatically after 30minutes.

When you turn on the product and water begins to flow, the temperature indicator light will begin to flash to show the product is warming up. Once the pre-selected outlet temperature has been reached, the indicator light will stop flashing.



SETTINGS

Maximum Temperature Setting

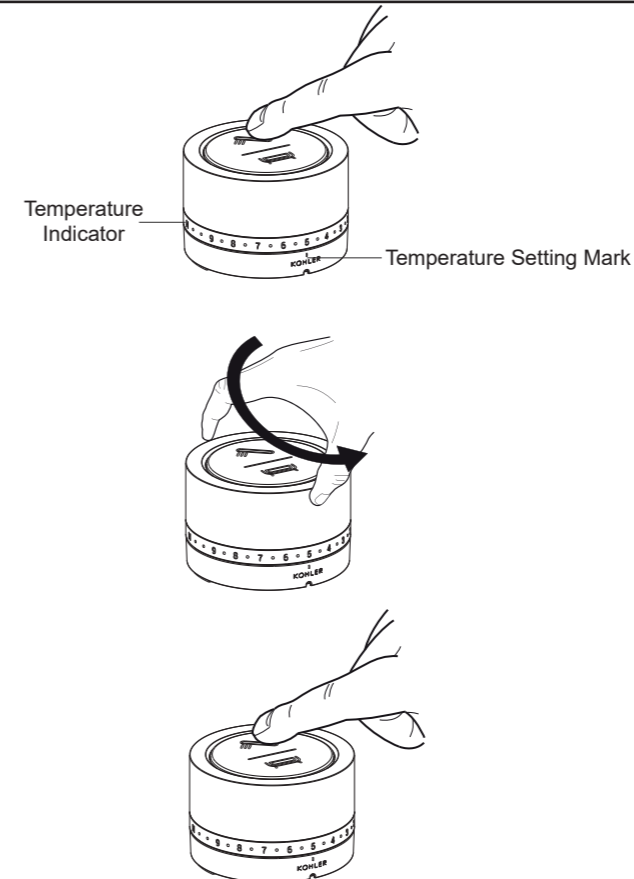
When the shower is in the off position, hold down the handshower button for 10 seconds, the lights will pulse slow to indicate setting mode.

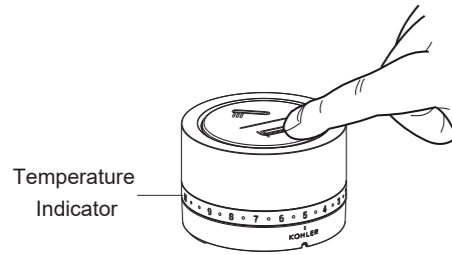
Adjust temperature indicator according to the table below to set desired maximum temperature. The scale on the indicator which the temperature setting mark is aligned represents the selected maximum temperature.

Caution! Make sure that the maximum outlet temperature is suitable and safe for all users.

Temp Indicator Position	Temp (°C)
C	Exit No Change
1 - 3	41
4 - 6	45
7 - 9	48
H	Exit No Change

Press the handshower button to set the maximum temperature. The temperature indicator light will flash three times to confirm the setting has been completed.





Bath Fill Preset

The water temperature and bath filling can be preset as needed, which brings users an one-button start bath experience. The setting steps are as follows:
Push down the plug in the bath.

Hold down the Bath Symbol Button (bottom half) for 5~10 Seconds approx. until the Bath Symbol Button flashes. Press the Bath Symbol Button to start the bath filling.

Rotate the interface to adjust the temperature indicator to set the temperature. On reaching the ideal fill level and desired temperature, press the Bath Symbol Button to stop the water, the temperature indicator will flash three times to confirm and save the Bath Fill Preset.

NOTES: The preset fill duration will affect the water volume in the bathtub. If the bath filling is not the desired water volume, the user needs to reset it.

Note! Factory Default Bath Fill Preset is 5 minutes duration at 42°C Inlet Temperature.

Bath Fill Preset temperature will calculate the average temperature over the Preset fill duration & take into account adjustments made to the User Interface rotary temperature dial during this time period.

NOTES: Press the handshower symbol button(top half) can exit the setting.

TROUBLESHOOTING

WARNING: Risk of electric shock. Disconnect power before performing any maintenance. When disconnected, the product will no longer be electrically live, which will eliminate the risk of electric shock.

CAUTION: Risk of personal injury. The valve may contain hot water; be careful when draining any residual water.

NOTES: Turn off the power and water supply to the valve before performing any maintenance to the valve. It is recommended that any valve maintenance should be performed by a Kohler Co. Authorized Service Representative.

This troubleshooting guide is for general aid only. For service and installation issues or concerns, call 800-820-2628.

Troubleshooting Table

Symptoms	Probable Cause	Recommended Action
1. No Lights on interface.	A. Not connected to valve. B. No power to valve. C. Faulty user interface.	A. Check connections, connect if needed. B. Check power supply, connect if needed. C. Contact your Kohler Co. Authorized Service Representative.
2. Interface Button Flashing (2 times a second).	A. Stuck button on interface. B. Intermittent connection to valve. C. Digital Mixing Valve fault. D. Wrong interface connected.	A. Contact your Kohler Co. Authorized Service Representative. B. Check connections, connect if needed. C. Contact your Kohler Co. Authorized Service Representative. D. Contact your Kohler Co. Authorized Service Representative.

Troubleshooting Table(cont.)

Symptoms	Probable Cause	Recommended Action
3. Temperature Indicator and Interface, button flashing (2 times a second).	A. Over temperature error	A. Contact your Kohler Co. Authorized Service Representative.
4. All Interface Button Flashing (2 times a second) & Temperature Indicator and Interface button flashing (2 times a second)		A. Turn off the mains power to the product & reboot after 10 seconds. If the fault is not rectified, then Contact your Kohler Co. Authorized Service Representative.

CLEANING INSTRUCTIONS

All Finishes: Clean the finish with mild soap and warm water. Wipe entire surface completely dry with clean soft cloth. Many cleaners may contain chemicals, such as ammonia, chlorine, toilet cleaner etc. which could adversely affect the finish and are not recommended for cleaning.

Do not use abrasive cleaners or solvents on Kohler faucets and fittings.

Statistics of Contents of Toxic or Hazardous Substances or Elements

Part name	Toxic or Hazardous Substance or Elements					
	Lead (Pb)	Mercury (Hg)	Cadmium (Cd)	Hexavalent Chromium (Cr(VI))	Polybrominated biphenyls (PBB)	Polybrominated Diphenyl Ethers (PBDE)
Interface Assy	×	○	○	○	○	○
Connection Assy	×	○	○	○	○	○
Mounting Assy	○	○	○	○	○	○

○: Indicates that the substance in the material composition is below the high limits of the current requirements in GB/T 26572.

×: Indicates that at least one of the homogeneous substance in the material composition is above the high limits of the current requirements in GB/T 26572.

Note: the information provided is based on the supplier data and Kohler inspection results. The product is designed not to hurt the environment. Under current technology, all hazardous materials have been used in the smallest amounts possible. Kohler will strive to reduce the use of these hazardous materials used in this product.



The product "service life for environment protection" is 10 years; Kohler Company will specify product service life based on product characteristics. The product "service life for environment protection" is only effective when the product is used as described in the product specification.