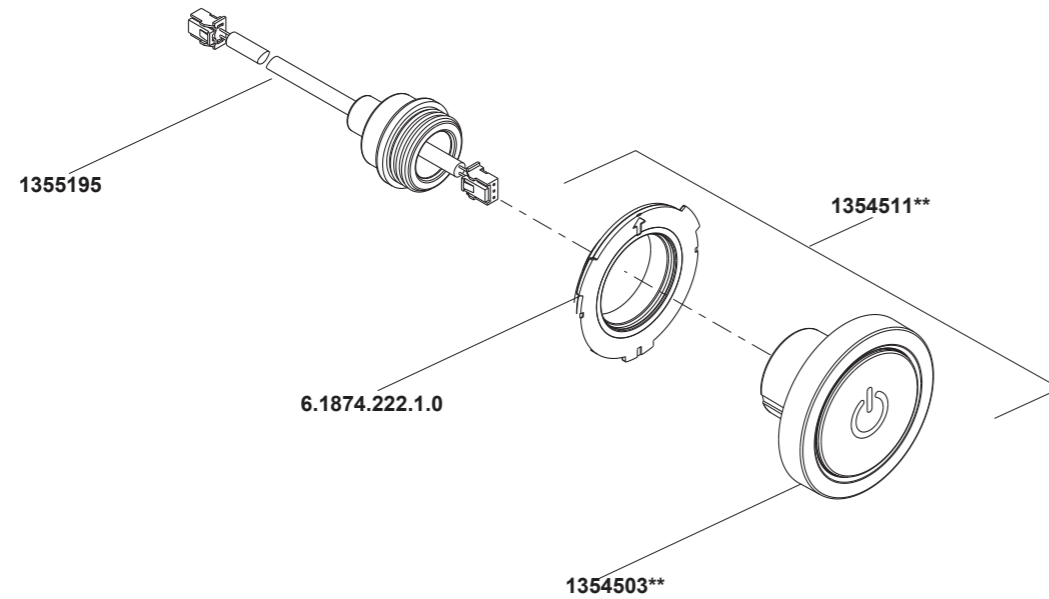


23778T Remote Control



**Color code must be specified when ordering.

23778T Remote Control

BEFORE YOU BEGIN

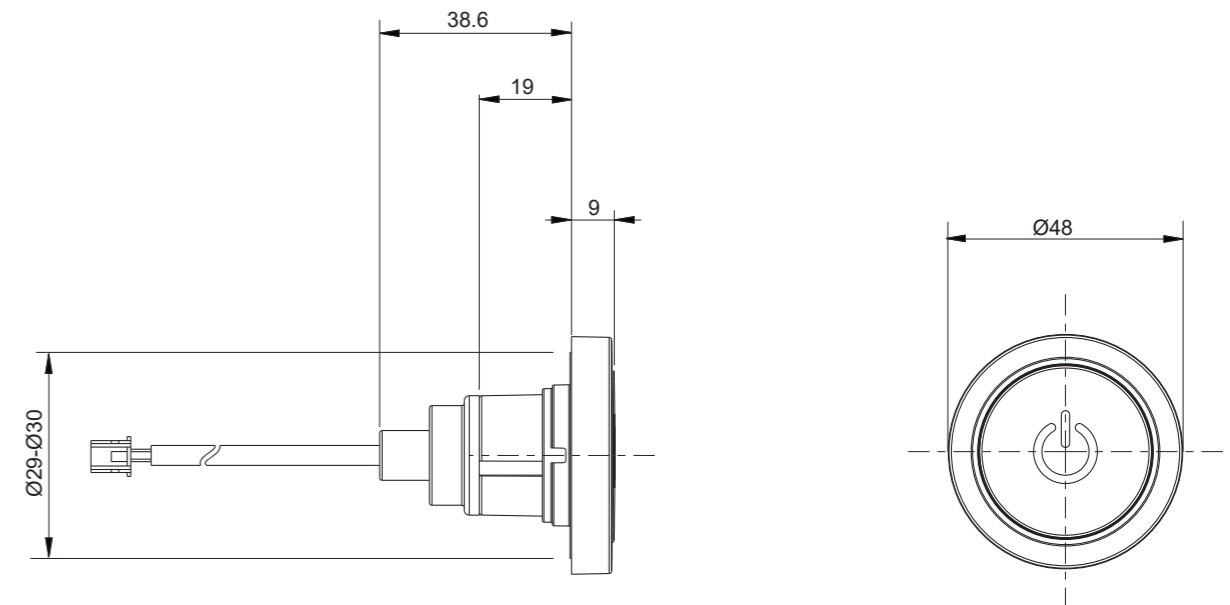
All information is based on the latest product information available at the time of publication. Kohler Co. reserves the right to make changes in product characteristics, packaging, or availability at any time without notice.

Please leave these instructions for the consumer. They contain important information.

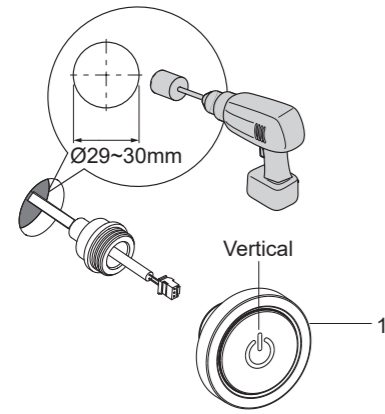
NOTES:

1. Observe all plumbing, electrical, and building codes.
2. Isolate the electrical and water supplies before commencing installation.
3. DO NOT modify or extend the cables supplied with the product.
4. When possible, install the valve prior to installing the remote control.
5. Ambient Temperature: 1°C - 40°C; Maximum Relative Humidity: 95% non-condensing; Supply Voltage: 3.3 Vdc SELV(Safety Extra-Low Voltage) 2mW max.

ROUGH-IN DIMENSIONS



INSTALLATION

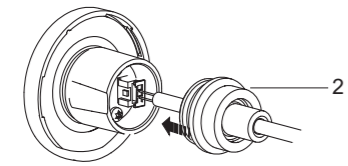


□ Decide on a suitable location for the remote control(1). Drill a 29-30mm diameter hole to a minimum depth of 50mm. It can be installed up to 10 metres away from the valve.

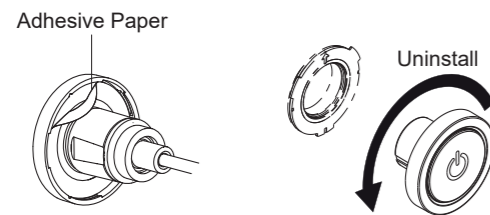
□ Using the cleaning wipe clean the surface around the mounting hole. Route the cable from the valve through the wall, connect the cable of the remote control to the cable that comes from valve.

□ Push the rubber grommet(2) into place.

□ Remove the paper from the adhesive back. Install the remote control in position, make sure the icon on the remote control is vertical as shown, and press firmly to secure.



NOTES: The remote control cannot be adjusted when it is fitted. Make sure to test fitment before removing the tape. If required, the ON/OFF remote button can be removed from the backplate by rotating anticlockwise.



Press the remote control outside the showering enclosure, the outlet can be turned on/off.

COMPLETE THE INSTALLATION

NOTES: Do not plug in the power cord until all the cables are connected.

NOTES: Make drip loops in all cables and cords.

- Route the cable in the wall from the valve location to the remote control installation location.
- Connect the remote control cable to the valve.
- Verify there is power to the electrical outlet.
- Plug the power cord into the outlet.

INSTALLATION CHECKOUT

- Make sure all the connections are tightened.
- Turn on the water supply to the valve.
- Press remote control, the outlet should be turned on.
- Check all connections for leaks and make any adjustments as needed.

CLEANING INSTRUCTIONS

All Finishes: Clean the finish with mild soap and warm water. Wipe entire surface completely dry with clean soft cloth. Many cleaners may contain chemicals, such as ammonia, chlorine, toilet cleaner etc. which could adversely affect the finish and are not recommended for cleaning.

Do not use abrasive cleaners or solvents on Kohler faucets and fittings.

Statistics of Contents of Toxic or Hazardous Substances or Elements

Part name	Toxic or Hazardous Substance or Elements					
	Lead (Pb)	Mercury (Hg)	Cadmium (Cd)	Hexavalent Chromium (Cr(VI))	Polybrominated biphenyls (PBB)	Polybrominated Diphenyl Ethers (PBDE)
Remote Control Assy	×	○	○	○	○	○
Connection Assy	×	○	○	○	○	○
Mounting Assy	○	○	○	○	○	○

○: Indicates that the substance in the material composition is below the high limits of the current requirements in GB/T 26572.

×: Indicates that at least one of the homogeneous substance in the material composition is above the high limits of the current requirements in GB/T 26572.

Note: the information provided is based on the supplier data and Kohler inspection results. The product is designed not to hurt the environment. Under current technology, all hazardous materials have been used in the smallest amounts possible. Kohler will strive to reduce the use of these hazardous materials used in this product.



The product "service life for environment protection" is 10 years; Kohler Company will specify product service life based on product characteristics. The product "service life for environment protection" is only effective when the product is used as described in the product specification.