

### 98699T-B Universal Mounting Box

#### BEFORE YOU BEGIN

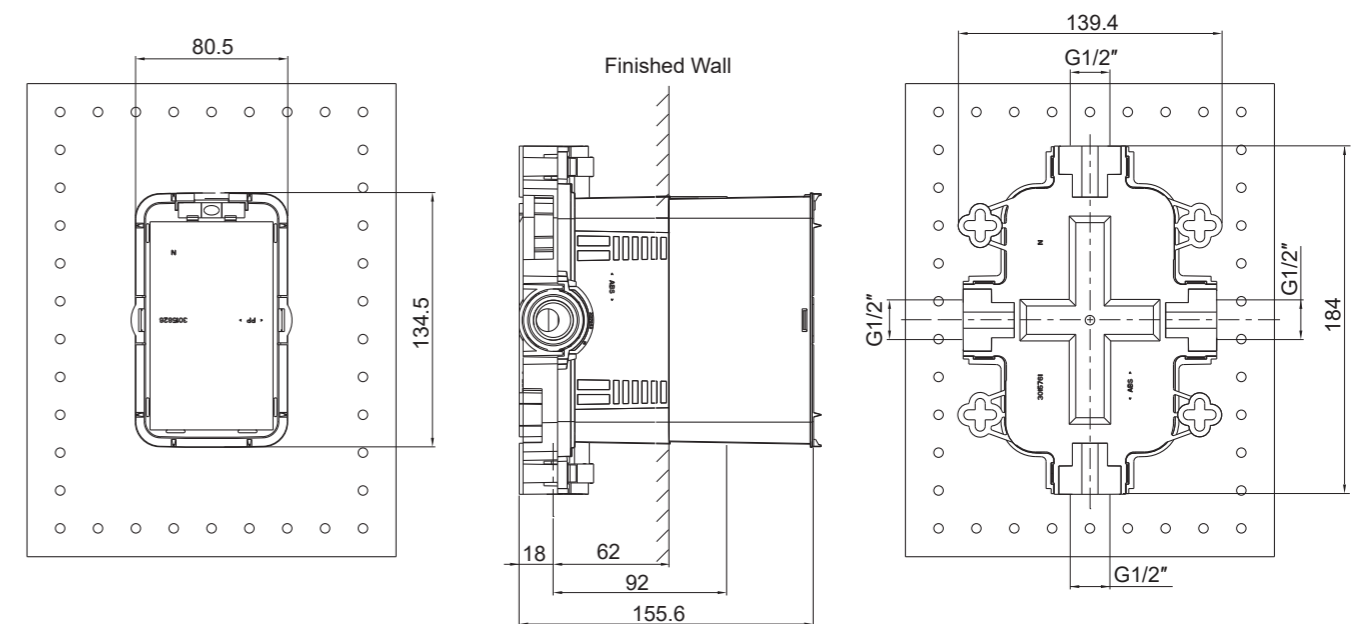
All information is based on the latest product information available at the time of publication. Kohler Co. reserves the right to make changes in product characteristics, packaging, or availability at any time without notice.

Please leave these instructions for the consumer. They contain important information.

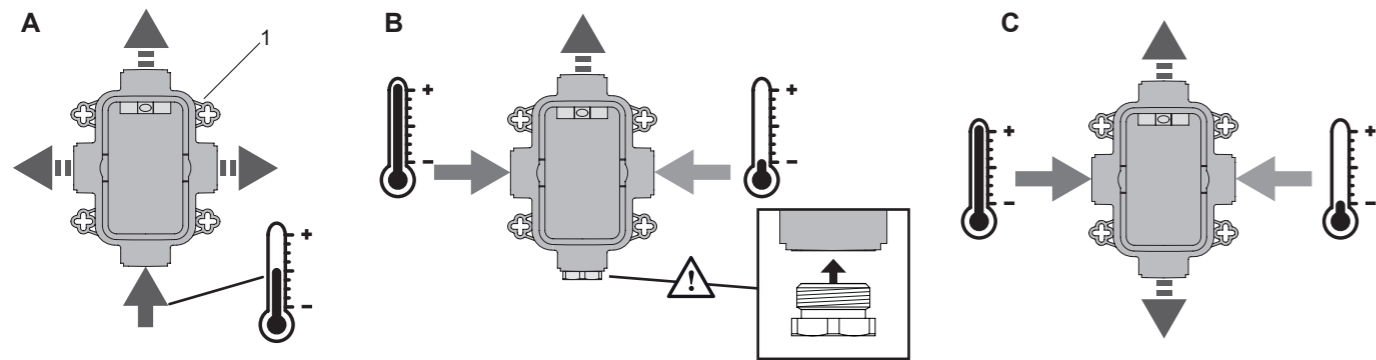
#### NOTES:

1. Inspect the supply tubing for damage. Replace as necessary.
2. Flush the water supply pipes thoroughly to remove debris.
3. Shut off the water supplies to the fitting.
4. Observe local plumbing codes.
5. Check for leaks before covering the pipes, repair as needed.
6. Inlet and outlet threads of the mounting box are G1/2".

#### ROUGH-IN DIMENSIONS



## INSTALLATION



Select one solution from A, B, C according to the need. Determine a suitable location on the wall to install the mounting box kit(1). Ensure the bubble level in the mounting box kit is upwards.

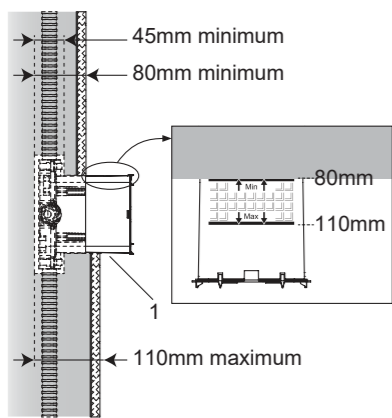


Fig.1

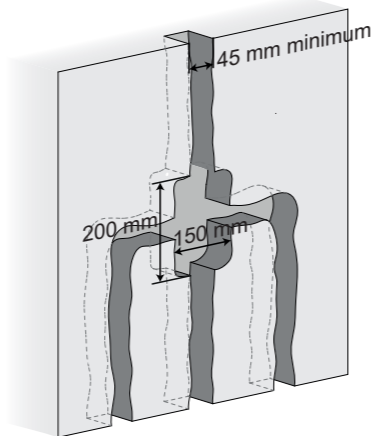


Fig.2

As figure 1 shown, the distance between the bottom of the mounting box kit and the finished wall is 80mm~110mm. The figure 2 shows the specific size of the groove in the wall. If the depth of the groove is more than 150mm, please purchase 98701T-NA. For this product, ensure the depth is 80mm~110mm.

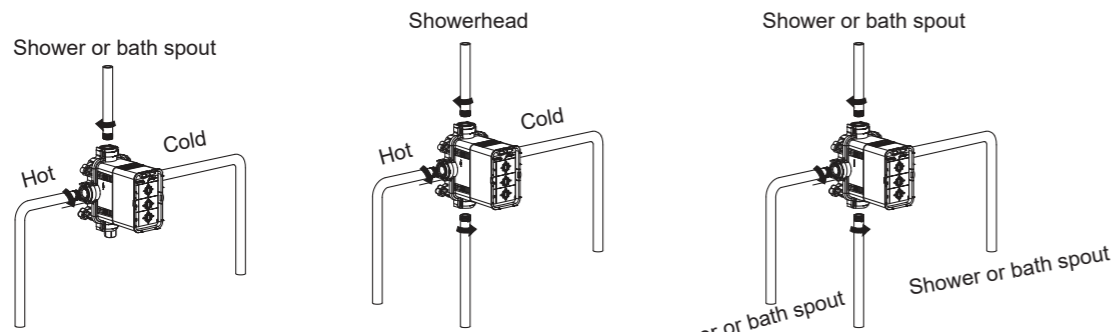


Fig.3

Fig.4

Fig.5

Select connected way according to your need.

For single outlet(Fig.3): Connect G1/2" water supply to mounting box kit. The left plumbing is for hot water supply. Connect shower or bath spout on the top. **NOTE:** Insert the plug on the bottom.

For dual outlets(Fig.4): Connect G1/2" water supply to mounting box kit. The left plumbing is for hot water supply. Connect showerhead on the top. Connect bath spout or handspray on the bottom.

For three outlets(Fig.5): Connect G1/2" water supply on the bottom. Connect shower or bath spout on the other three connections.

Apply enough tape or sealants to all connections. Install temporary nipples for shower and bath outlets. **NOTE:** Ensure the mounting box kit is vertical to the wall. The bubble level in the mounting box kit is horizontal. During installation, do not damage the mounting box kit.

If the pipes can not support the mounting box kit, please install it on the wall or frame.

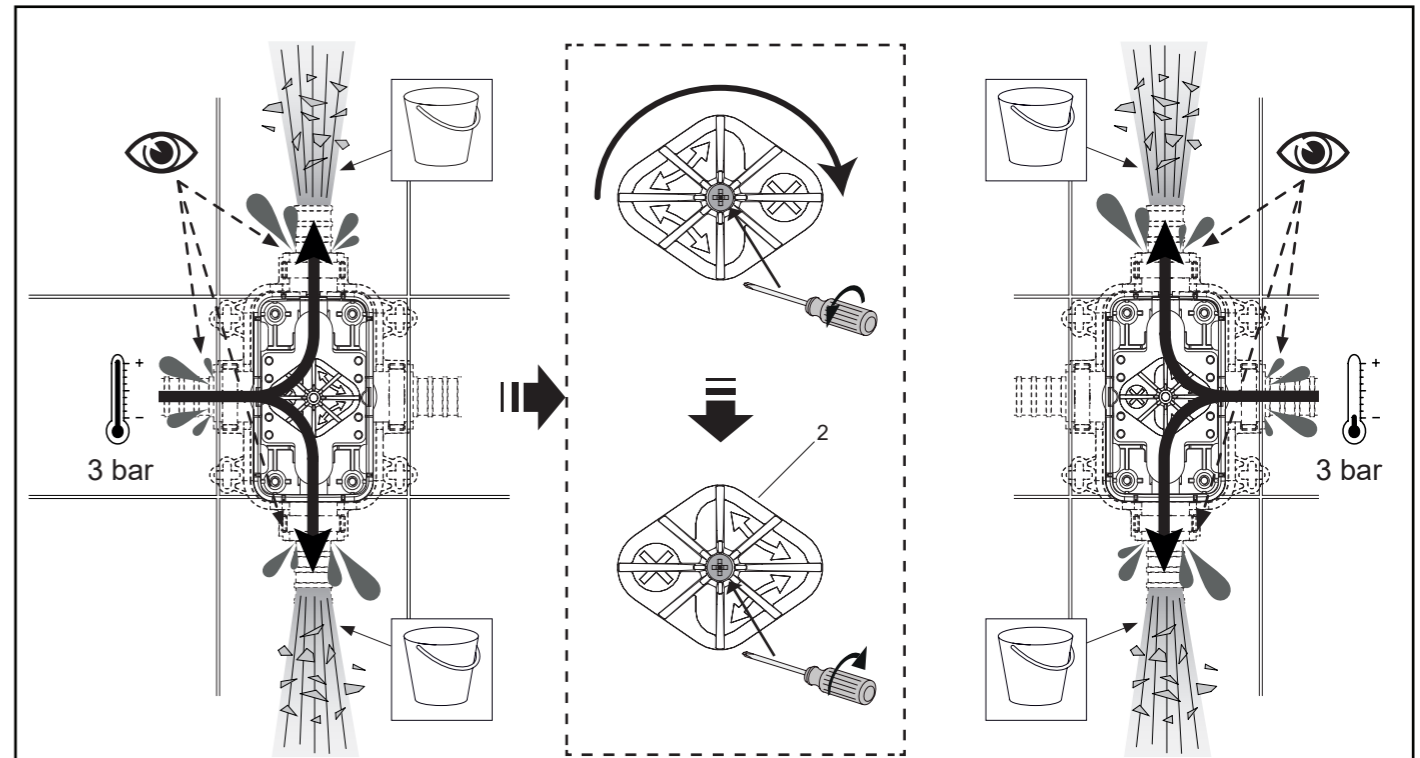


Fig.6

Once the installation is completed, rinse and apply water pressure test to the mounting box. Turn on the left water supply(3 bar), give pressure on the right water supply, check for leaks. Rotate the protect cover kit(2) of the mounting box kit 180 degrees by tool. Tighten the protect cover kit. Turn on the right water supply(3 bar), give pressure on the left water supply, check for leaks.

Apply cement around the mounting box kit. Stick the gasket(3) on the wall through the mounting box kit if needed.

When the finished wall is completed, apply glass glue to the gap between the mounting box kit and the finished wall.

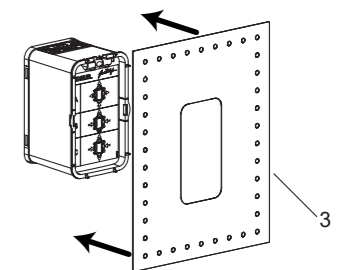


Fig.7

## INSTALLATION CHECKOUT

Ensure that all connections are locked. Turn on the main water supply and drain, and check for leaks. Repair as needed.

## CLEANING INSTRUCTIONS

All Finishes: Clean the finish with mild soap and warm water. Wipe entire surface completely dry with clean soft cloth. Many cleaners may contain chemicals, such as ammonia, chlorine, toilet cleaner etc, which could adversely affect the finish and are not recommended for cleaning.

Do not use abrasive cleaners or solvents on Kohler faucets and fittings.