

## User Maintenance

Always read the **IMPORTANT SAFETY INFORMATION** in your shower user guide.

### Cleaning

Many household and commercial cleaners, including hand and surface cleaning wipes contain abrasives and chemical substances that can damage plastics, plating and printing and should not be used. These finishes should be cleaned with a mild washing up detergent or soap solution, and then wiped dry using a soft cloth.

### De-scaling the Showerhead and Inspecting the Hose

**Important!** Keeping the Showerhead and Hose clean and free from blockage will make sure your shower performs to its optimum. The showerhead **MUST** be regularly cleaned and the hose **MUST** be regularly inspected to ensure there is no internal/external collapse or blockage that could reduce the water flow.

**Warning!** Failure to keep the showerhead nozzles clear or inspect the hose for blockage or internal/external collapse can restrict the flow rate from the showerhead. This can cause damage to the shower or may result in the temperature delivered to the user rising to unsafe levels with a risk of scalding.

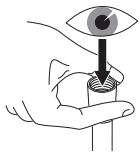
**You MUST ALWAYS** check the temperature before using the shower.



Use your thumb or a soft cloth to wipe any limescale from the soft nozzles.



Unscrew the hose from the showerhead and the shower outlet.



Inspect the hose.

## Guarantee

The Mira Shower Fittings have been designed for domestic use only, Mira Showers guarantee the fittings against any defect in materials or workmanship for a period of one year from the date of purchase.

For non-domestic installations, Mira Showers guarantee the fittings against any defect in materials or workmanship for a period of one year from the date of purchase.

For terms and conditions, refer to the back cover of this guide.

## Customer Service

### Guarantee

Your product has the benefit of our manufacturer's guarantee which starts from the date of purchase.

Within the guarantee period we will resolve defects in materials or workmanship, free of charge, by repairing or replacing parts or product as we may choose.

**This guarantee is in addition to your statutory rights and is subject to the following conditions:**

- The product must be installed and maintained in accordance with the instructions given in this user guide.
- Replacement under this guarantee does not extend the original expiry date. The guarantee on any replacement parts or product ends at the original expiry date.

### The guarantee does not cover:

- Non product faults (such as damage or performance issues arising from incorrect installation, improper use, inappropriate cleaning, lack of maintenance, build up of limescale, frost damage, corrosion, system debris or blocked filters) or where no fault has been found with the product.
- Compensation for loss of use of the product or consequential loss of any kind.
- Damage or defects caused if the product is repaired or modified by persons not authorised by us or our appointed representative.

### What to do if something goes wrong

If your product does not work correctly refer to this manual for fault diagnosis and check that it is installed and commissioned in accordance with our instructions.

If this does not resolve the issue, contact us for help and advice.



**Helpdesk Service** - Our Customer Services Team is comprehensively trained and can offer help and advice, spare parts and accessories. Please provide your model name or number and date of purchase.



### Showers Website ([www.mirashowers.co.uk](http://www.mirashowers.co.uk))

From our website you can download additional user guides, diagnose faults, purchase our full range of accessories and popular spares and refer to our FAQs.



**Spares and Accessories** - We hold the largest stocks of genuine Mira spares and accessories. Contact us for a price or visit our website to purchase items from our accessory range and popular spares.

### To Contact Us



**0800 001 4040**



Fax: 01 242 282595



E-mail: Visit [www.mirashowers.co.uk/contactus](http://www.mirashowers.co.uk/contactus)



Mira Customer Services  
Dept, Cromwell  
Road, Cheltenham,  
Gloucestershire, GL52 5EP

### To Contact Us: Eire Only



**01 531 9337**



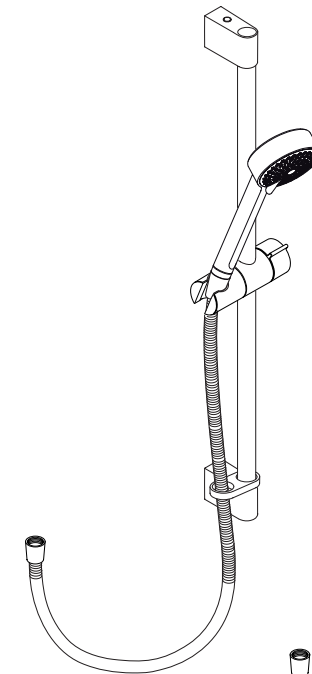
E-mail: [CustomerServiceEire@mirashowers.com](mailto:CustomerServiceEire@mirashowers.com)

Mira is a registered trade mark of Kohler Mira Limited.  
The company reserves the right to alter product specifications without notice.

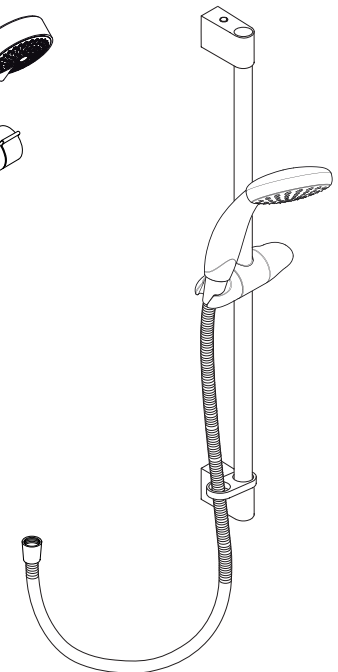


**mira**  
SHOWERS

## Mira Beat and Nectar Easy Fit Shower Fittings Installation and User Guide



Mira Beat



Mira Nectar

**For SPARES, ADVICE or REPAIRS please call us free on 0800 001 4040 (UK only)**

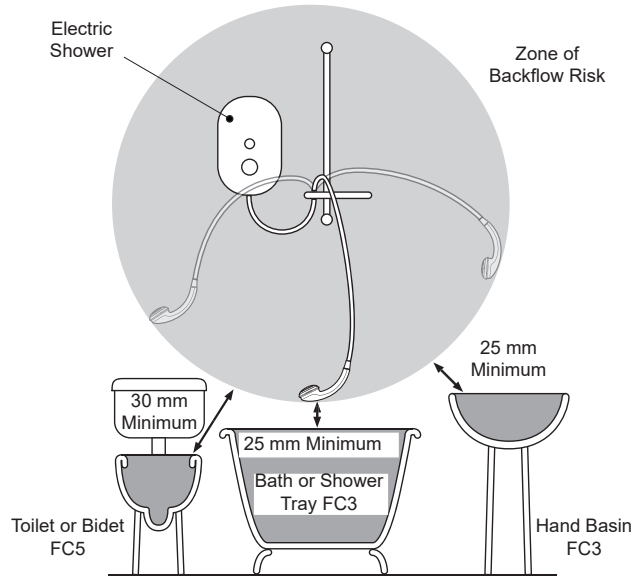
These instructions must be left with the user

**mira**  
SHOWERS

## General

1. Make sure that the shower fittings are installed by a competent installer.
2. Installations must comply with Water Regulations (Bye-Laws, Scotland), and any other Local Regulations and Building Regulations in force at the time of installation.
3. The shower fittings should be positioned at a convenient height for all the family. Position the fittings to spray across rather than towards the opening of the cubicle and also away from the shower control. Avoid layouts where the shower hose will be sharply kinked. This may reduce the life of the hose.
4. A hose retaining ring is supplied to prevent the showerhead from dropping below the spill over level of the bath or shower, which could lead to contamination from back-siphonage.  
The position of the shower and shower fittings must provide a minimum gap of 25 mm between the showerhead and the spill over level of any bath, shower tray or basin and 30 mm between the showerhead and the spill over level of any toilet or bidet.
5. Do not fit any form of flow control in the outlet pipe work if the shower fittings are installed in conjunction with a product that requires the fittings to act as a vent (e.g. an electric shower).
6. Wall screws and wall plugs are supplied with this product.

**Special consideration should be given to the fixing arrangements when installing onto a dry lined, stud partition, shower cubicle or laminated panel wall structures. Installers may wish to obtain alternative proprietary cavity fixings, or choose other options, however, these methods of fixing are beyond the scope of this guide.**



Hose retaining ring fitted and shower fittings fixed at a suitable height preventing dirty water backflow

## Installation

1. We recommend that the slide bar is installed with the ends flush. Mark the wall fixing positions and drill two holes to suit the wall fixings.

**Caution! Do not drill into cables or pipes in the wall.**  
**Note: Installation fixing centres are 630 mm for the 660 mm slide bar and 520 mm for the 550 mm slide bar.**

2. Install the wall plugs and the mounting brackets and secure with the wall screws.

**Note: Ensure locking peg orientated correctly.**

**Note: Check for vertical alignment before tightening. The mounting brackets are slotted to aid this alignment. Then fully tighten.**

3. Install the clamp bracket, the hose retaining ring (smallest hole) and the slide bar supports to the slide bar.

**Note: Orientate hole in line with locking peg on mounting bracket.**

4. Ensure an equal length of slide bar protrudes from the top and bottom slide bar support (or flush with the end of the slide bar for new installations) and push onto mounting bracket. Ensure it clicks into place.

**Warning! Ensure that the locking peg clicks in and is fully engaged in the hole in the slide bar support.**

5. Install the end caps, push fit into both ends of the slide bar.

**Note: Slide bar support removal. Using a suitable tool, push and hold down the locking peg through the hole in the slide bar support and pull off.**

### Hose and Showerhead Installation

1. Fit a hose seal into the conical nut and screw onto the outlet of the shower.

**Caution! DO NOT over tighten.**

2. Feed the hose through the hose retaining ring.

3. Fit a hose seal into the conical nut and screw onto the showerhead.

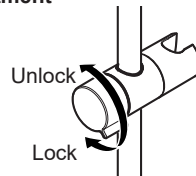
**Caution! DO NOT over tighten.**

4. Place the showerhead assembly into the clamp bracket assembly.

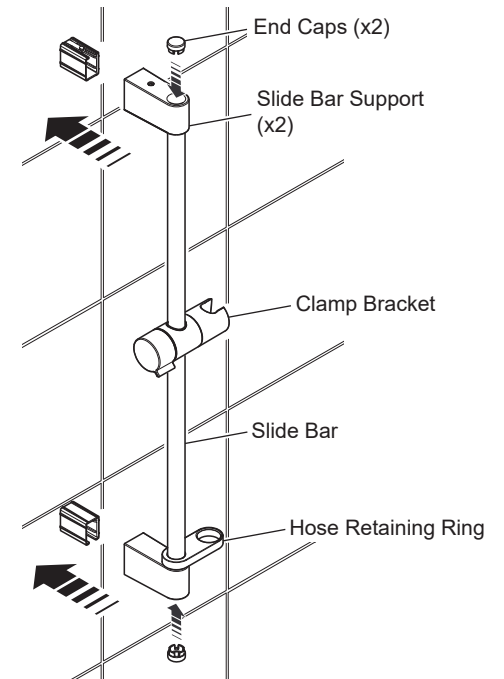
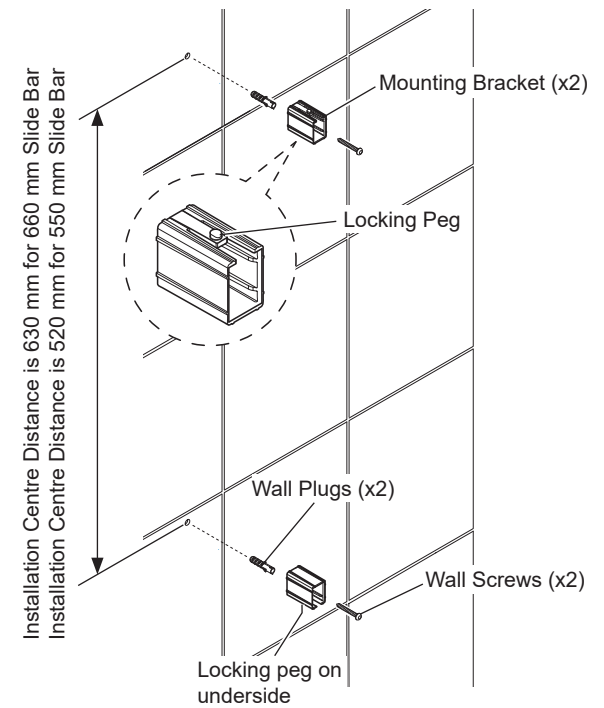
5. Only use the supplied handset with this product.

## User Instructions

### Clamp Bracket Adjustment



**Warning! Slide bar must not be used as a grab rail.**



**Caution! DO NOT force assembly on to the mounting brackets, re-align slide bar support if required.**