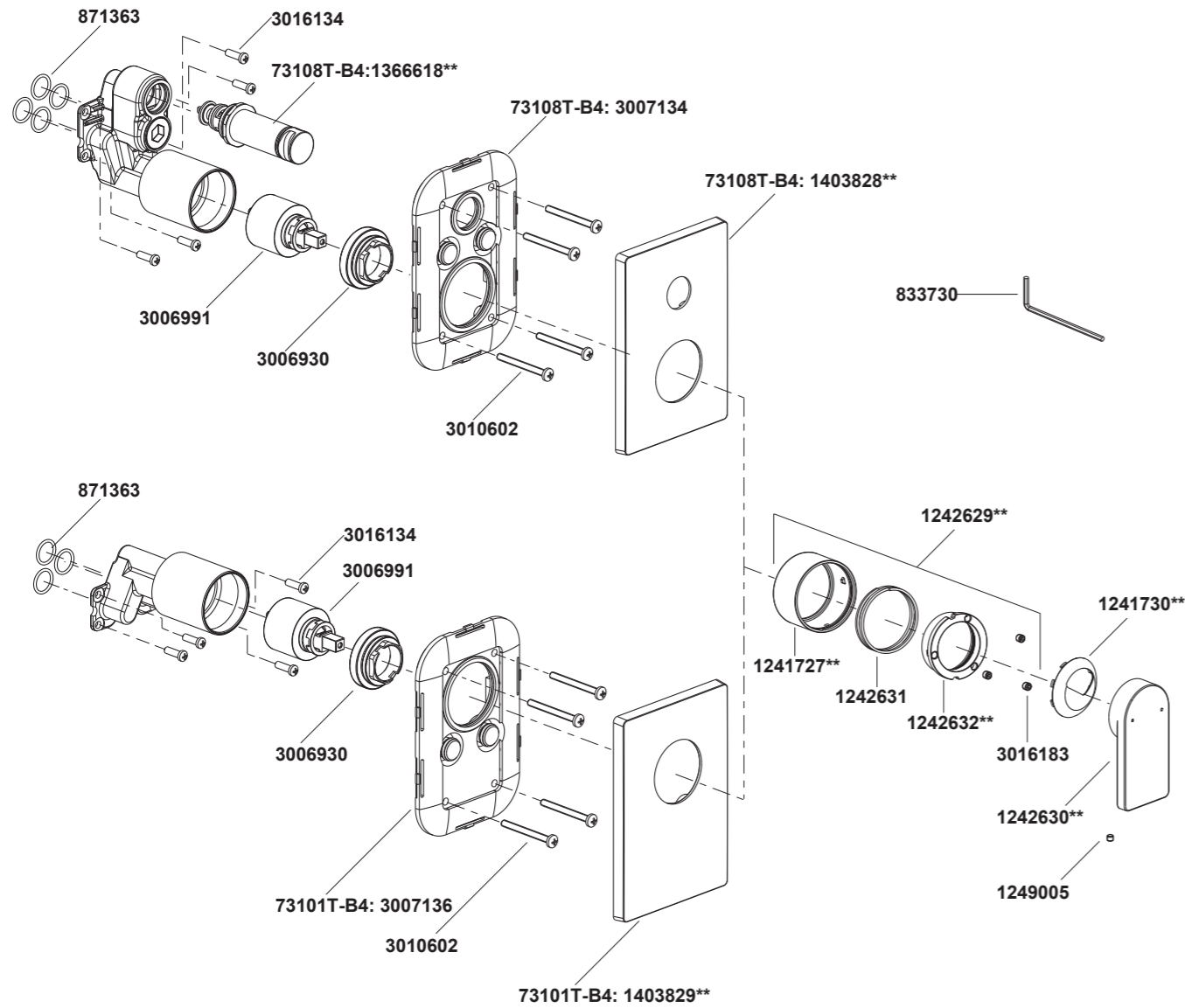


- 73101T-B4 Recessed Shower Trim And Valve- Composed
- 73108T-B4 Recessed Bath Shower Trim And Valve- Composed



**Color code must be specified when ordering.
NOTE: For all Asia pacific regions (excluding China) add SP (SPxxxxxx**) in front of the part number when ordering.

- 73101T-B4 Recessed Shower Trim And Valve- Composed
- 73108T-B4 Recessed Bath Shower Trim And Valve- Composed

BEFORE YOU BEGIN

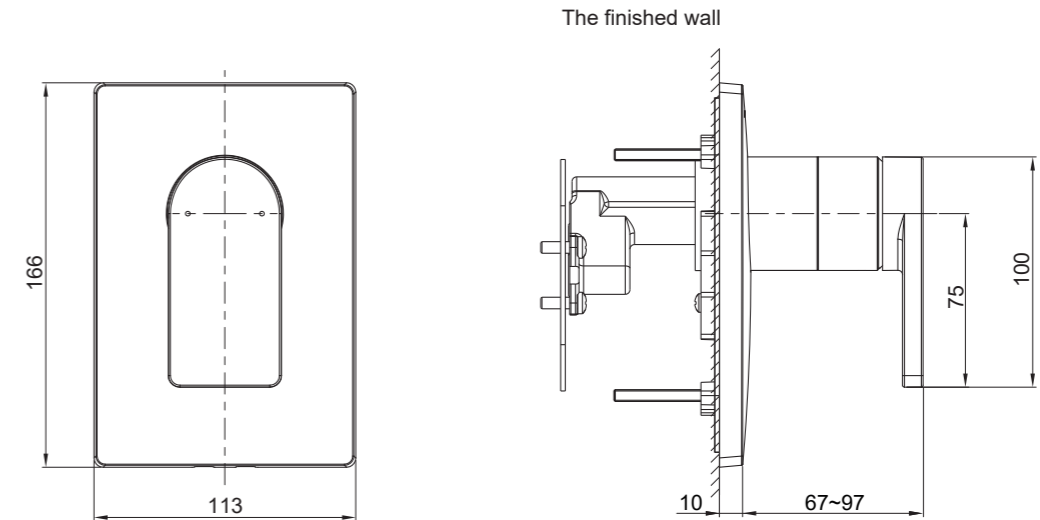
All information is based on the latest product information available at the time of publication. Kohler Co. reserves the right to make changes in product characteristics, packaging, or availability at any time without notice.

Please leave these instructions for the consumer. They contain important information.

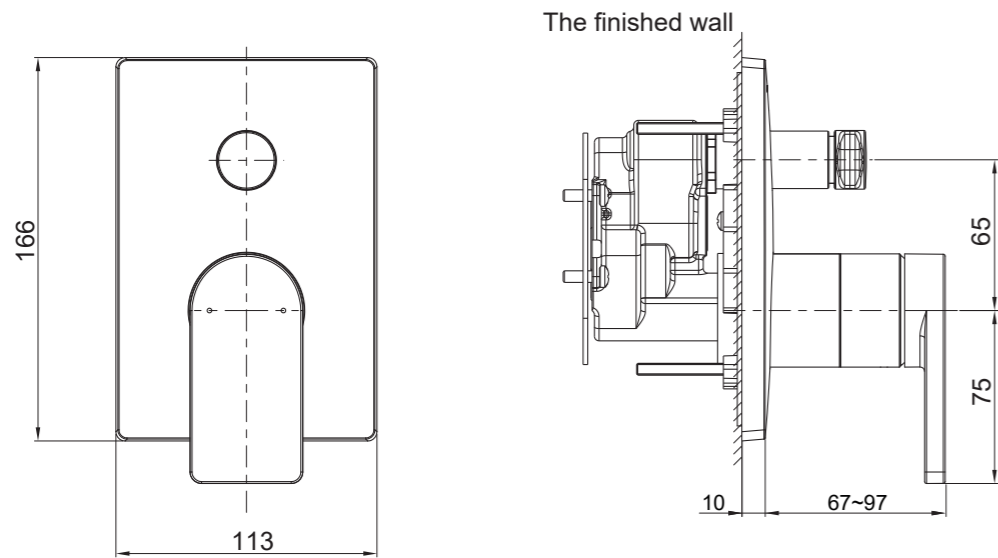
NOTES:

1. Flush the water supply pipes thoroughly to remove debris.
2. Inspect the supply tubing for damage and leakage. Replace and maintain as necessary.
3. Observe local plumbing codes. Shut off the main water supply.
4. Check for leaks before covering the pipes, repair as needed.
5. Please ensure only apply water pressure test on the product, and empty the air in pipe and faucet thoroughly before the test. Please ensure test pressure below 0.8MPa(8bar) and test duration within 30 minutes.

ROUGH-IN DIMENSIONS

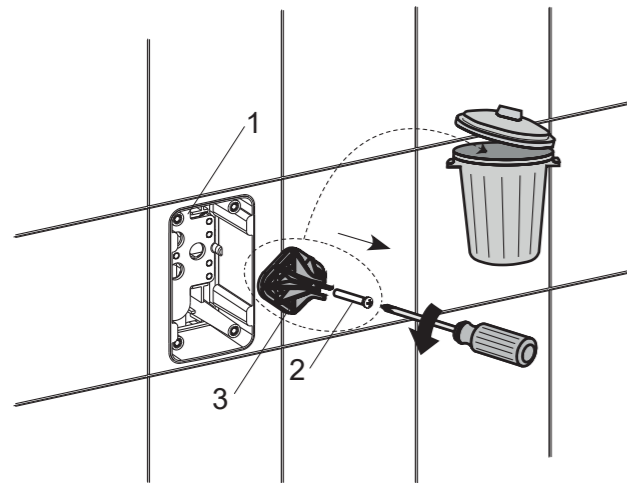


73101T-B4



73108T-B4

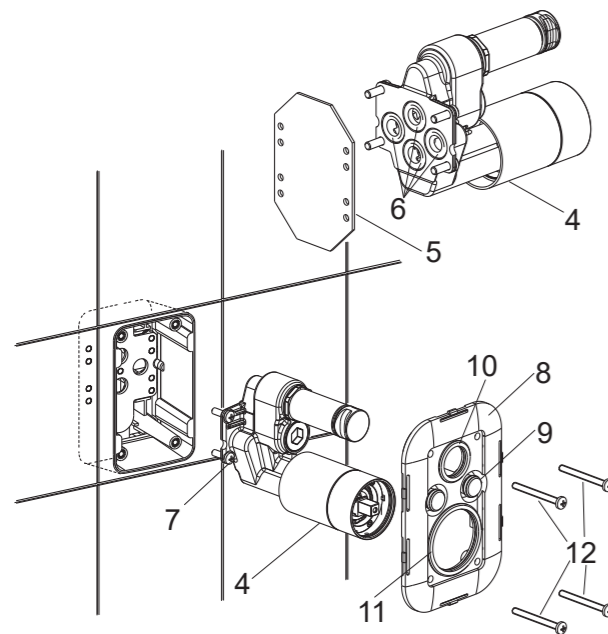
INSTALLATION



①

NOTE: Install mounting box kit(1) according to the rough-in dimensions of 98699T-B-NA.

Cut the protrudent part of the mounting box kit out of the finished wall. Unscrew the screw(2), remove the protect cover kit(3).

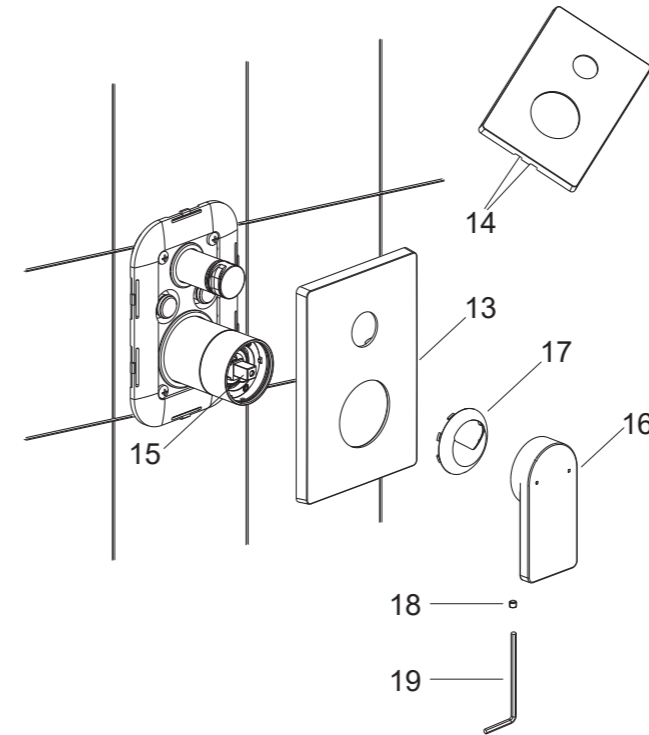


②

Remove the protection(5) on the valve kit(4). **NOTE:** Don't drop the o-rings(6).

The holes on the bottom of the valve kit should be aligned with the holes in the mounting box. Install the valve kit into the mounting box kit, tighten the screws(7).

Slide the cover kit(8) onto the valve with the plugs(9) facing outside (**NOTE:** Don't squeeze out the rings 10,11). Push it against the wall. Secure it with the screws(12).

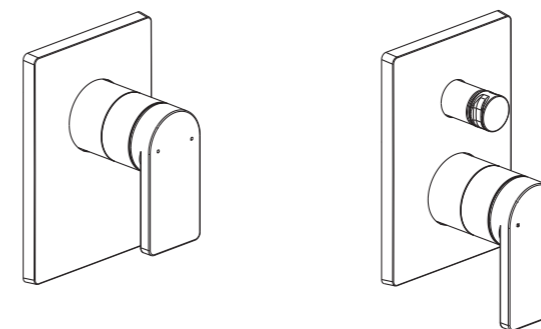


③

Slide the faceplate(13) onto the cover kit with slots(14) downwards. Push it against the wall. For ease of installation, push up the valve stem(15) for about 12° degrees.

Make sure the bulge on bonnet(17) align with the slots in the sleeve assy. Press the bonnet into the sleeve assy.

Preassemble the screw(18) into the handle(16). Install the handle on the valve stem with the handle downward. Tighten the screw from the bottom hole of sleeve to secure the handle by hex wrench(19).



73101T-B4

73108T-B4

④

The illustration shown is the correct position of the handle in the off position.

INSTALLATION CHECKOUT

Ensure that all coupling nuts are tight.

Ensure that the handle is in the off position.

Turn on the main water supply, and check for leaks. Repair as needed.

CLEANING INSTRUCTIONS

All Finishes: Clean the finish with mild soap and warm water. Wipe entire surface completely dry with clean soft cloth. Many cleaners may contain chemicals, such as ammonia, chlorine, toilet cleaner etc, which could adversely affect the finish and are not recommended for cleaning.

Do not use abrasive cleaners or solvents on Kohler faucets and fittings.