



Record your model number: _____

1413577-IN2

⚠ WARNING: Risk of scalding. High water temperature can cause severe burns. Set the valve water temperature at or below 120°F (49°C). Refer to the temperature adjustment instructions for the valve.

2A. Cut away the foam guard.

5A. Press the stems to pop them to the extended position.

11A. Tighten the setscrews using the provided 2.5 mm hex wrench.

13A. **Maximum Temperature Adjustment:** Turn the handle to the 37°C position.

13B. Rotate the stem and test the water temperature. Set between 36°C and 38°C.

13C. Reinstall the stem extension and handle, aligned with the 37°C position.

14A. **Clean the Screens:** Remove the trim parts.

14B. Remove the cartridges. Note the hot and cold positions for reinstallation.

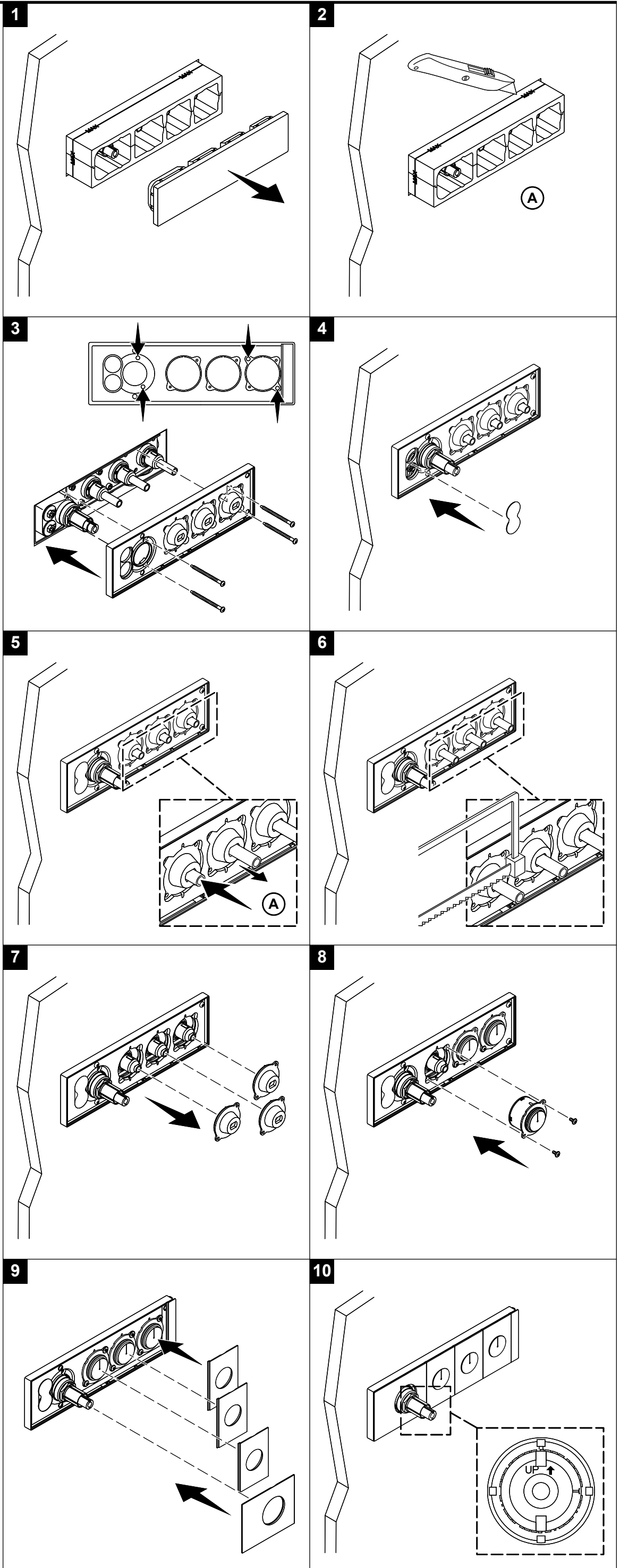
14C. Rinse debris from the screens, then reinstall all parts.

Need help? Contact our Customer Care Center.

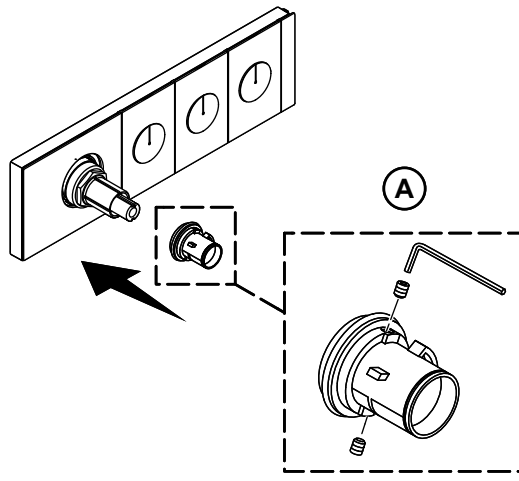
• Email: indiacustomer@kohler.com

• Call: 1800-103-2244

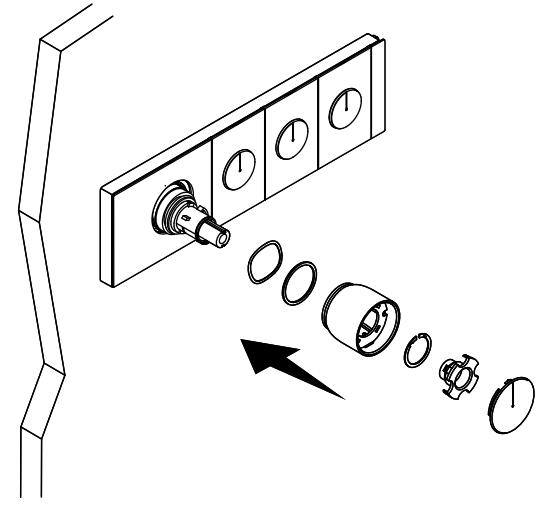
This product is covered under the **KOHLER® India Faucet, Sanitaryware and Bathing Products Limited Warranty**, found at kohler.co.in/warranty.



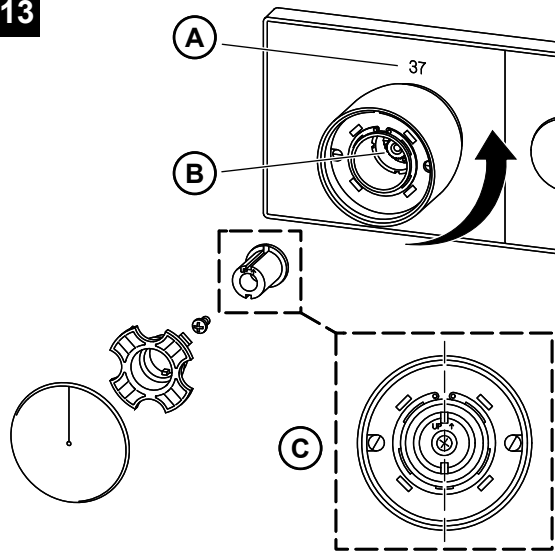
11



12



13



14

