

BEFORE YOU BEGIN

- All information is based on the latest product information available at the time of publication. Kohler China Ltd. reserves the right to make changes in product characteristics, packaging, or availability at any time without notice.
- These instructions contain important care, cleaning, and warranty information-**please leave these instructions for the consumer.**
- Make sure that the bath and the finished wall material are completely and correctly installed prior to installing your shower door. Prepare waterproof layer to wall and floor of the showering area. It is not allowed for any presence of electric switches and sockets. Make sure the floor drain runs smoothly.
- Before starting the door installation, lay out and identify all the parts. Use the exploded view illustrated on page 2 for reference.
- For the installation method of customized shower with different dimensions, please refer to this instructions.
- The product complies with QB 2584-2007.

⚠ CAUTION: Risk of injury or product damage.
Tempered glass cannot be cut, drilled or knocked by hard object. Make sure corner area of the glass refraining from knocking so as to cause personal injury due to broken glass.

ATTENTION: Please install this door on Kohler receptors or curbs(Not included). If the curb is not Kohler-branded, please note its top width should be more than 80mm.

IMPORTANT: The shower door requires a flat vertical finished wall. The squareness of the wall is recommended no more than 3 mm/m. KOHLER Company won't take responsibility of the installation quality.

Do not use the enclosure for at least 24 hours.
安装后 24 小时内请勿使用淋浴房。



安装之前

- 说明书中所有的资料是按最新出版的产品资料编写而成。科勒中国有限公司保留任何时候无须通知即可改变产品特性、包装或产品可供类型的权利。
- 说明书包括重要的安装、清洁及保养方面的内容, **请把这些资料交给用户阅读, 保管。**
- 确保在安装淋浴房之前已经完整正确地安装了浴室和完工墙面材料。淋浴区墙地面应做防水处理, 并不得布置有电器开关、插座。确保地面排水通畅。
- 在进行淋浴房安装之前, 请拿出、排列并确认所有的零部件。请参考第 2 页上所示的分解图。
- 对尺寸与本标准产品不同的定制淋浴房, 参照本说明书进行安装。
- 本产品符合 QB 2584-2007。

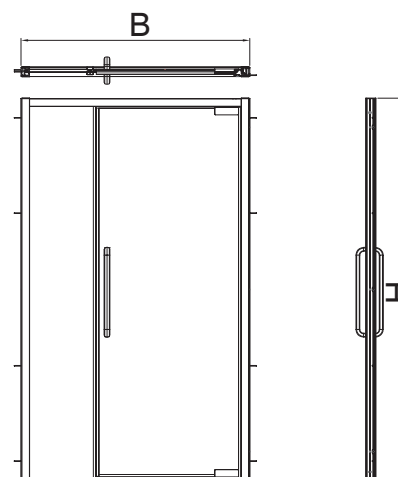
⚠ 警告: 可能有人员伤害或者产品损坏的危险。
钢化玻璃不能进行切割, 钻孔或硬物敲击。搬移或安装过程中, 小心确保玻璃边、角部位不受撞击, 以防爆裂伤人。

建议: 将本产品安装在科勒淋浴盆或挡水条上(需另行购买)。如自备挡水条, 建议顶面宽度尺寸大于 80mm。

重要事项: 淋浴房需要安装在平坦垂直的墙面上。墙面的垂直度推荐在正负 3mm/m 以内。如果超出此范围, 科勒公司将不保证淋浴房的完美使用。

ROUGHING-IN

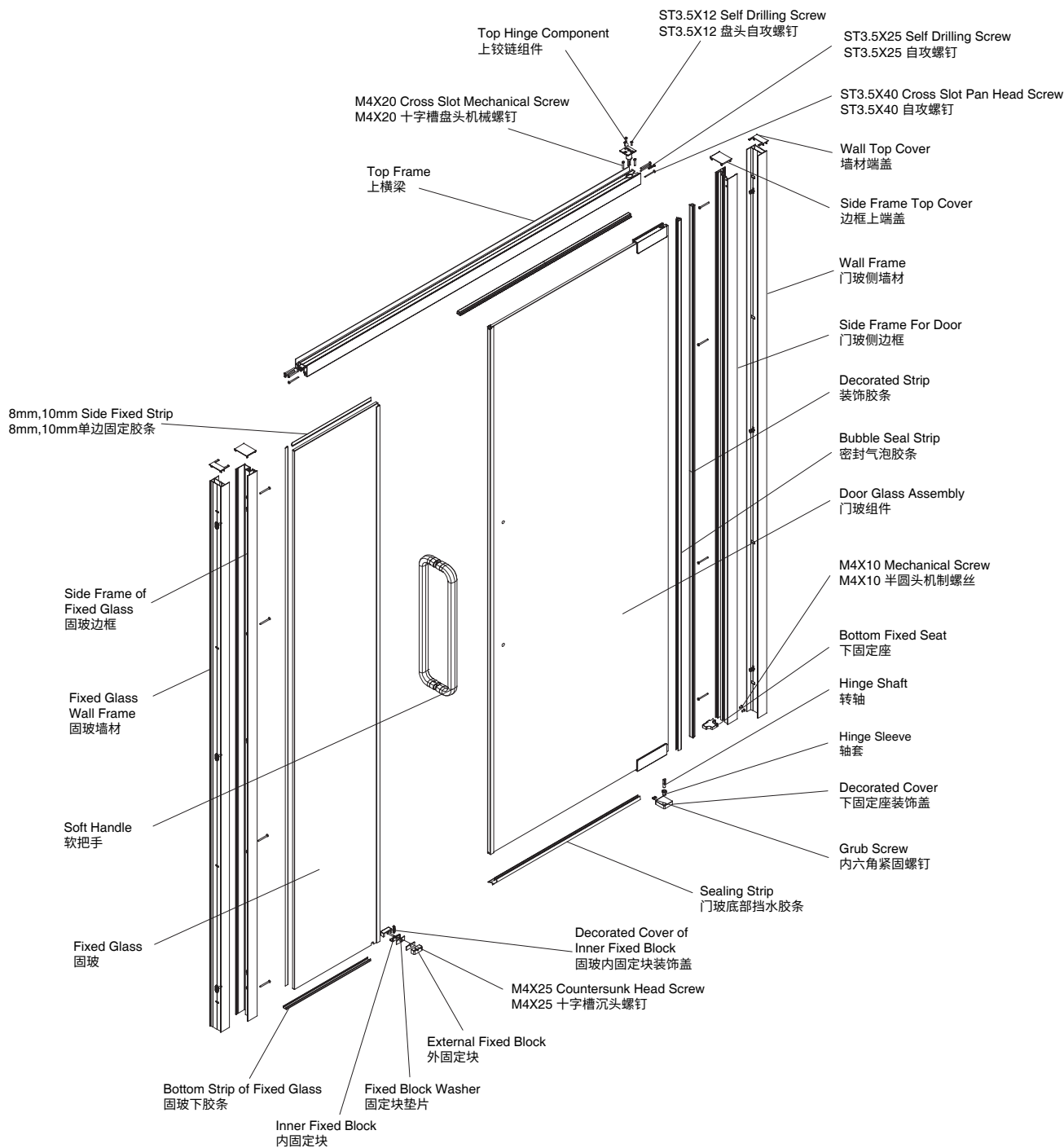
尺寸图



Unit: mm
单位: 毫米

SKU	B	H
K-701644T	900-1600	1850-2200
K-701648T		

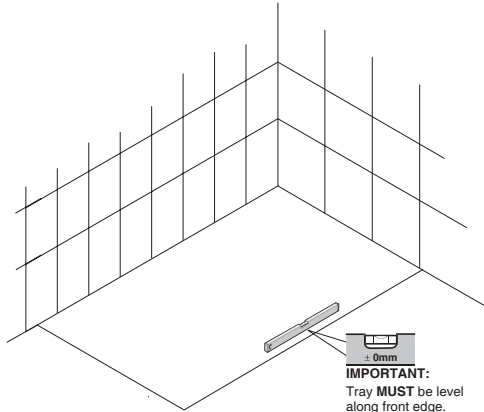
ZHONGSHAN KOHLER SHOWER CO., LTD. NO13-1, XINGYE ROAD, ZHONGSHAN TORCH DEVELOPMENT ZONE, ZHONGSHAN, GUANGDONG, CHINA POST CODE: 528437
中山科勒卫浴有限公司 广东省中山市中山火炬开发区兴业路 13-1 号 邮编: 528437



	X1	Wall Frame 门玻侧墙材
	X1	Side Frame For Door 门玻侧边框
	X1	Top Frame 上横梁
	X1	Fixed Glass Wall Frame 固玻墙材
	X1	Side Frame of Fixed Glass 固玻边框
	X1	Soft Handle 软把手
	X1	Top Hinge Component 上铰链组件
	X1	Bottom Fixed Seat 下固定座
	X1	Decorated Cover 下固定座装饰盖
	X2	Side Fixed Strip 单边固定胶条
	X1	Sealing Strip 门底挡水胶条
	X2	Decorated Strip 装饰胶条
	X1	Seal Strip 密封胶条
	X1	Bottom Strip of Fixed Glass 固玻下胶条
	X1	Hinge Shaft 转轴
	X1	Hinge Sleeve 轴套

	X1	Decorated Cover Of Inner Fixed Block 固玻内固定块装饰盖
	X1	Inner Fixed Block 内固定块
	X2	Fixed Block Washer 固定块垫片
	X1	External Fixed Block 外固定块
	X2	Wall Top Cover 墙材上端盖
	X2	Side Frame Top Cover 边框上端盖
	X16	Pan Screw ST3.5X40, 圆头螺丝ST3.5X40
	X3	Screw GB/T 845 ST3.5X12 十字圆头不锈钢自攻螺丝ST3.5X12
	X2	Screw GB/T 845 ST3.5X25 十字圆头不锈钢自攻螺丝ST3.5X25
	X2	M4X20 Cross Slot Mechanical Screw M4X20 十字槽盘头机械螺钉
	X2	M4X10 Cross Slot Mechanical Screw M4X10 半圆头机制螺丝
	X1	M4X25 Countersunk Head Screw M4X25 十字槽沉头螺钉
	X2	M5X6 Grub Screw M5X6 内六角紧固螺钉(预装在下固定座装饰盖)
	X8	Hollow Wall Anchor, Nylon 膨胀套
	X1	Screw Key 2.5mm 内六角扳手

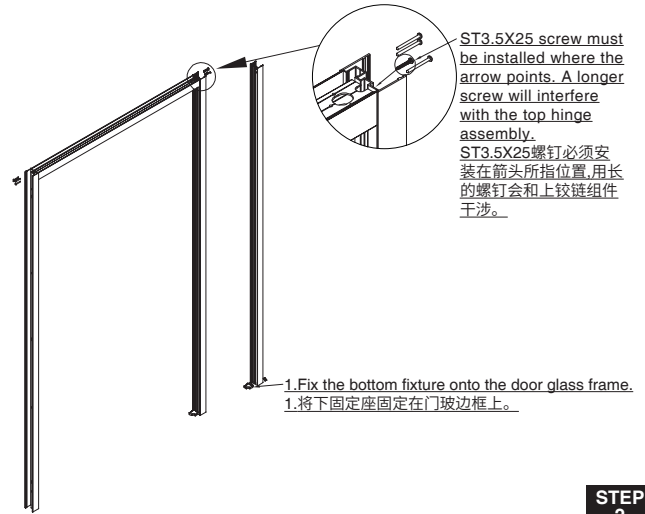
1. The installation area shall be 20cm higher than the door glass.
 2. When a floor drain is present, the floor flatness shall not exceed 1mm per meter.
 3. The seal, if any, shall be adjusted to a horizontal state.
1. 淋浴房安装区域的空间高度, 要比淋浴房高20厘米才能正常安装。
2. 对于配地漏使用的淋浴房地面平面度要求, 每米长度不能超过1mm。
3. 对于配挡水条安装的淋浴房, 要求将挡水条调至水平状态。



IMPORTANT:
Tray **MUST** be level along front edge.
重要:
底盘必须水平。

STEP 1

1. Fix the bottom fixture onto the door glass frame.
 2. Assemble the top frame and the left and right frames (note the installation position of ST3.5X25 screw).
1. 将下固定座固定在门玻边框上。
2. 组装门玻上横梁和左右边框 (注意ST3.5X25螺钉的安装位置)。

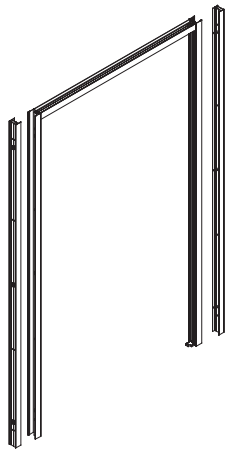


ST3.5X25 screw must be installed where the arrow points. A longer screw will interfere with the top hinge assembly.
ST3.5X25螺钉必须安装在箭头所指位置, 用长的螺钉会和上铰链组件干涉。

1. Fix the bottom fixture onto the door glass frame.
1. 将下固定座固定在门玻边框上。

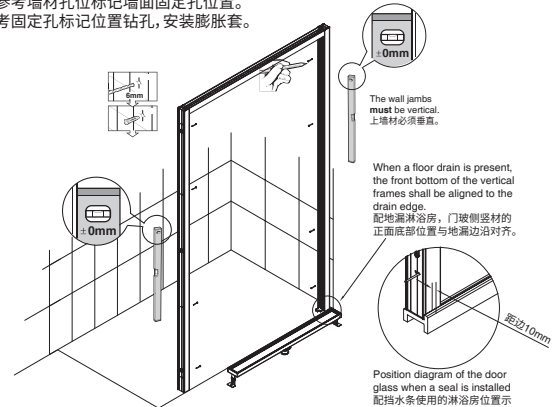
STEP 2

1. Insert the left and right wall jambs into the left and right frames respectively (pass the adjusting screws through the gourd holes in the frames and slide the jambs downward to insert them into the frames).
 2. Adjust the adjusting screws to minimize the clearance between the wall jambs and the frames.
1. 将左右两边的墙材扣入左右边框 (墙材调节螺钉穿过竖材上的葫芦孔, 往下滑动扣入竖材)。
2. 调整边框上的调节螺钉, 将墙材和竖材的距离调到最小。



STEP 3

1. Place the frames at the installation positions. Make sure the outer edge of the door glass is aligned to the drain edge, if any (see the figure below). Then mark the drilling positions on the wall by reference to the holes in the wall jambs.
 2. When a seal is installed, place the frame assembly inside the seal 10mm from its outer edge (see the figure below). Then mark the drilling positions on the wall by reference to the holes in the wall jambs.
 3. Drill holes into the wall at the marked positions. Install the expansion fastener.
1. 将淋浴房边框放入安装位置, 配地漏使用的淋浴房安装时, 淋浴房外侧与地漏边沿对齐 (参考下图); 然后参考墙材孔位标记墙面固定孔位置。
2. 配挡水条的淋浴房, 将淋浴房框架放置在挡水条台阶内侧, 距离外边10mm (参考下图), 然后参考墙材孔位标记墙面固定孔位置。
3. 参考固定孔标记位置钻孔, 安装膨胀套。



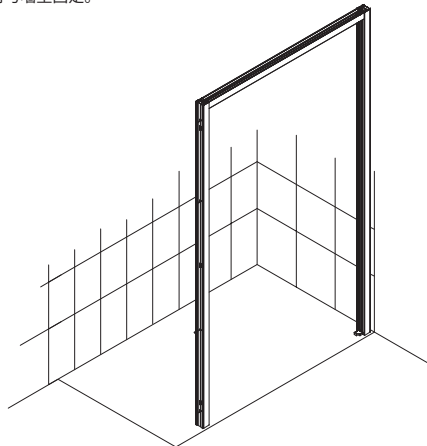
The wall jambs must be vertical.
上墙材必须垂直。

When a floor drain is present, the front bottom of the vertical frames shall be aligned to the drain edge.
配地漏淋浴房, 门玻侧竖材的正面底部位置与地漏边沿对齐。

Position diagram of the door glass when a seal is installed
配挡水条使用的淋浴房位置示意图。

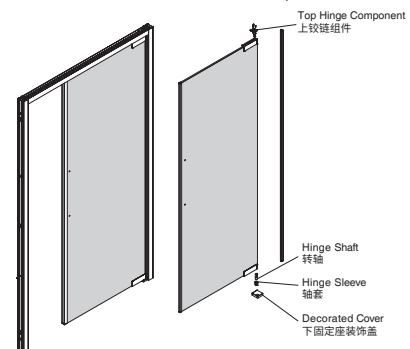
STEP 4

1. Fix the frame at one side onto the wall.
 2. Adjust the adjusting screws on the left and right frames so that the frames and jambs are at the proper positions.
 3. Fix the frame at the other side onto the wall.
1. 将淋浴房边框一侧先与墙壁固定。
2. 调整淋浴房左右两侧边框的调节螺钉, 调整好边框和墙材的位置。
3. 将另一侧墙材与墙壁固定。



STEP 5

1. Assemble the decorated cover, hinge sleeve and hinge shaft together. Insert the assembly into the bottom hinge. Then move the door glass to insert the decorated cover into the bottom fixture.
 2. Hold the door glass upright. Insert the limiting hinge assembly into the top hinge from the top frame. When the door glass hangs down due to gravity, pre-tighten the limiting hinge assembly with a screw.
 3. Install the waterproof seal at the door glass side. Properly adjust the door glass. Tighten the limiting hinge assembly and the decorated cover.
1. 将下固定座装饰盖, 轴套, 轴安装在一起, 套入门玻下铰链, 然后移动门玻将下固定座装饰盖套入下固定座。
2. 扶正门玻, 将限位铰链组件, 从上横梁插入门玻上铰链, 门玻自然下垂, 用螺钉预锁紧限位铰链组件。
3. 安装门玻侧挡水胶条, 调整好门玻的位置, 锁紧限位铰链组件, 锁紧下固定座装饰盖。

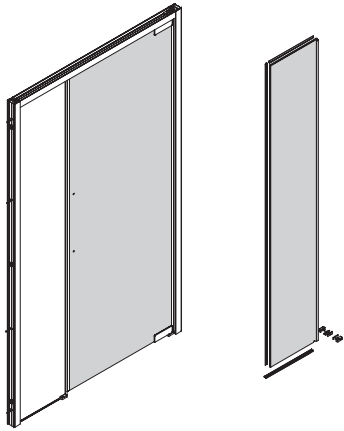


Top Hinge Component
上铰链组件

Hinge Shaft
转轴
Hinge Sleeve
轴套
Decorated Cover
下固定座装饰盖

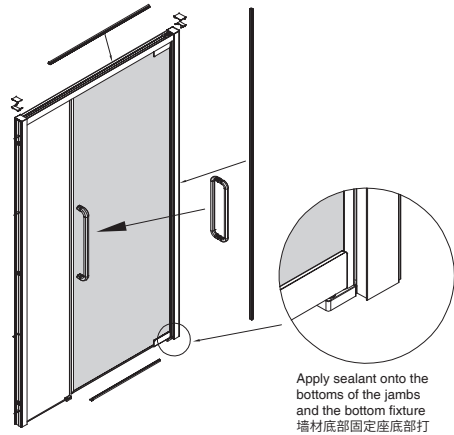
STEP 6

1. Install the seal onto the panel glass bottom. The insert the panel glass into the frame.
2. Properly adjust the position of the panel glass and install the side seal onto the top frame and the jambs.
3. Install the bottom bumper block of the panel glass.
 1. 将固玻安装上固玻底部胶条，装入固玻边框。
 2. 调整好固玻的位置，安装固玻与上横梁，墙材的单边胶条。
 3. 安装好固玻下定位块。



STEP
7

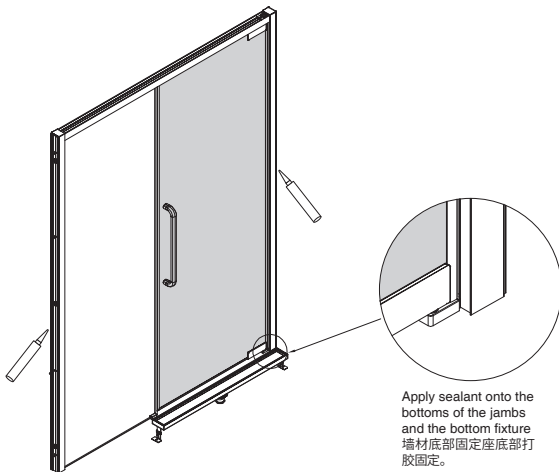
1. Install the handle.
2. Install the waterproof seal at bottom of the door glass. Install decorated seals onto the top frame and the left and right frames.
3. Install end caps on top of the left and right jambs and frames.
 1. 安装门把手。
 2. 安装门玻底部挡水胶条，上横梁，竖材装饰胶条。
 3. 安装左右两边上部墙材和竖材的端盖。



Apply sealant onto the bottoms of the jambs and the bottom fixture
墙材底部固定座底部打胶固定。

STEP
8

1. Apply sealant onto both sides of the left and right jambs and also onto the edges of the bottom fixture.
2. If a seal is installed, apply sealant onto its bottom edges.
 1. 墙材两侧与底部固定座边沿打胶固定。
 2. 带挡水条淋浴房，在挡水条底部边沿打胶固定。



Apply sealant onto the bottoms of the jambs and the bottom fixture
墙材底部固定座底部打胶固定。

STEP
9