

BEFORE YOU BEGIN

- All information is based on the latest product information available at the time of publication. Kohler China Ltd. reserves the right to make changes in product characteristics, packaging, or availability at any time without notice.
- These instructions contain important care, cleaning, and warranty information-**please leave these instructions for the consumer.**
- Make sure that the bath and the finished wall material are completely and correctly installed prior to installing your shower door. Prepare waterproof layer to wall and floor of the showering area. It is not allowed for any presence of electric switches and sockets. Make sure the floor drain runs smoothly.
- Before starting the door installation, lay out and identify all the parts. Use the exploded view illustrated on page 2 for reference.
- For the installation method of customized shower with different dimensions, please refer to this instructions.
- The product complies with QB 2584-2007.

⚠ CAUTION: Risk of injury or product damage.
Tempered glass cannot be cut, drilled or knocked by hard object. Make sure corner area of the glass refraining from knocking so as to cause personal injury due to broken glass.

ATTENTION: Please install this door on Kohler receptors or curbs(Not included). If the curb is not Kohler-branded, please note its top width should be more than 80mm.

IMPORTANT: The shower door requires a flat vertical finished wall. The squareness of the wall is recommended no more than 3 mm/m. KOHLER Company won't take responsibility of the installation quality.

Do not use the enclosure for at least 24 hours.
安装后 24 小时内请勿使用淋浴房。



安装之前

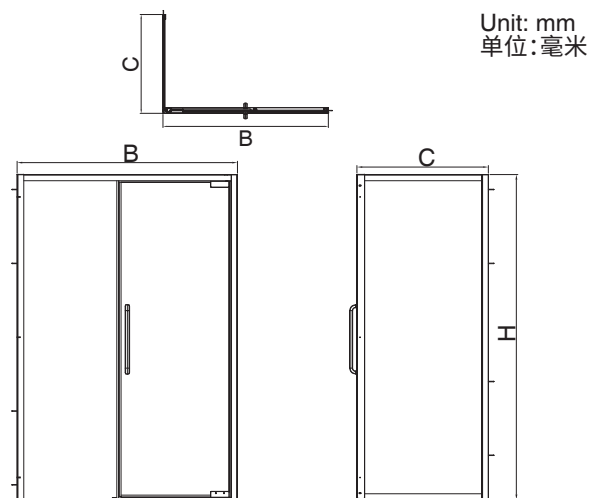
- 说明书中所有的资料是按最新出版的产品资料编写而成。科勒中国有限公司保留任何时候无须通知即可改变产品特性、包装或产品可供类型的权利。
- 说明书包括重要的安装、清洁及保养方面的内容, **请把这些资料交给用户阅读, 保管。**
- 确保在安装淋浴房之前已经完整正确地安装了浴室和完工墙面材料。淋浴区墙地面应做防水处理, 并不得布置有电器开关、插座。确保地面排水通畅。
- 在进行淋浴房安装之前, 请拿出、排列并确认所有的零部件。请参考第 2 页上所示的分解图。
- 对尺寸与本标准产品不同的定制淋浴房, 参照本说明书进行安装。
- 本产品符合 QB 2584-2007。

⚠ 警告: 可能有人伤害或者产品损坏的危险。
钢化玻璃不能进行切割, 钻孔或硬物敲击。搬移或安装过程中, 小心确保玻璃边、角部位不受撞击, 以防爆裂伤人。

建议: 将本产品安装在科勒淋浴盆或挡水条上(需另行购买)。如自备挡水条, 建议顶面宽度尺寸大于 80mm。

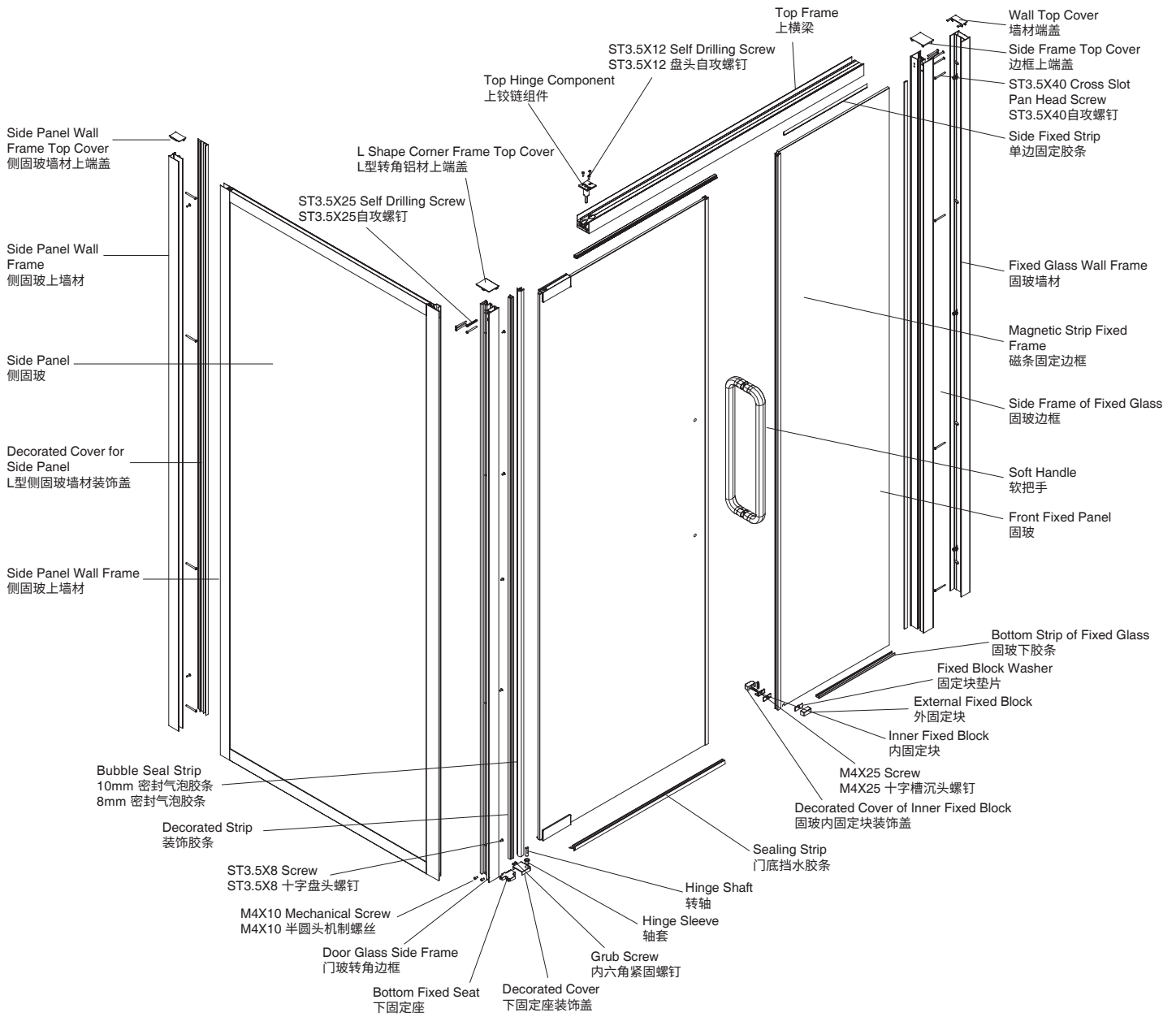
重要事项: 淋浴房需要安装在平坦垂直的墙面上。墙面的垂直度推荐在正负 3mm/m 以内。如果超出此范围, 科勒公司将不保证淋浴房的完美使用。

ROUGHING-IN 尺寸图



SKU	B	C	H
K-701646T	900-1450	250-1100	1850-2200
K-701650T			

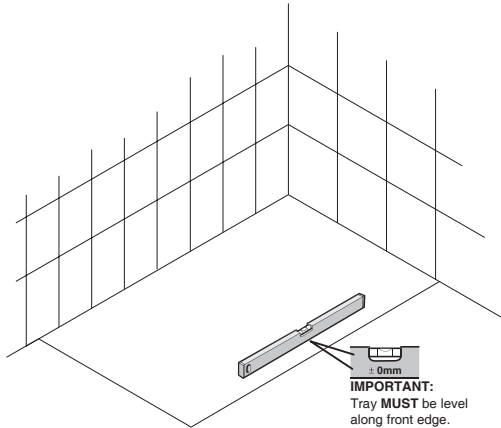
ZHONGSHAN KOHLER SHOWER CO., LTD. NO13-1, XINGYE ROAD, ZHONGSHAN TORCH DEVELOPMENT ZONE, ZHONGSHAN, GUANGDONG, CHINA POST CODE: 528437
中山科勒卫浴有限公司 广东省中山市中山火炬开发区兴业路 13-1 号 邮编: 528437



	X1	Wall Frame 固玻墙材
	X1	Side Frame of Fixed Glass 固玻边框
	X1	Top Frame 上横梁
	X1	Door Glass Side Frame 门玻转角边框
	X1	Side Frame of Fixed Glass 固玻边框
	X2	Magnetic Strip Fixed Frame 磁条固定边框
	X1	Soft Handle 软把手
	X1	Top Hinge Component 上铰链组件
	X1	Top Fixed Seat 上固定座
	X1	Bottom Fixed Seat 下固定座
	X1	Decorated Cover 下固定座装饰盖
	X1	Hinge Shaft 转轴
	X1	Hinge Sleeve 轴套
	X1	Decorated Cover of Inner Fixed Block 固玻内固定块装饰盖
	X1	Inner Fixed Block 内固定块
	X2	Fixed Block Washer 固定块垫片
	X1	External Fixed Block 外固定块
	X1	Wall Top Cover 墙材上端盖

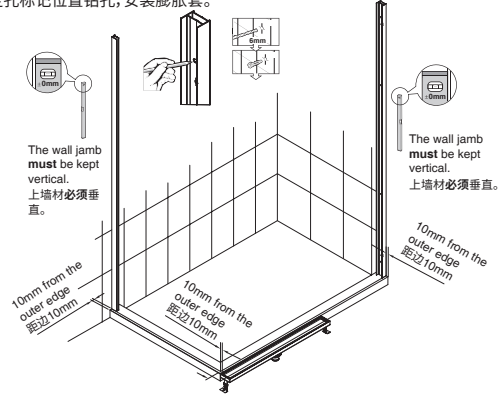
	X2	Side Frame Top Cover 边框上端盖
	X1	L Shape Corner Frame Top Cover L型转角铝材上端盖
	X1	Side Panel Wall Frame Top Cover 侧固玻墙材上端盖
	X1	Seal Strip 密封胶条
	X2	Side Fixed Strip 单边固定胶条
	X1	Bottom Strip of Fixed Glass 固玻下胶条
	X1	Sealing Strip 门底挡水胶条
	X3	Decorated Strip 装饰胶条
	X16	Pan Screw ST3.5X40 圆头螺丝ST3.5X40
	X5	Screw GB/T 845 ST3.5X12 十字圆头不锈钢自攻螺丝ST3.5X12
	X2	Screw GB/T 845 ST3.5X25 十字圆头不锈钢自攻螺丝ST3.5X25
	X4	Screw GB/T 845 ST3.5X25 十字圆头不锈钢自攻螺丝ST3.5X25
	X2	M4X10 Cross Slot Mechanical Screw M4X10 半圆头机制螺丝
	X1	M4X25 Countersunk Head Screw M4X25 十字槽沉头螺钉
	X2	M5X6 Grub Screw M5X6 内六角紧固螺钉(预装在下固定座装饰盖)
	X8	Hollow Wall Anchor Nylon 膨胀套
	X1	Screw Key 2.5mm 内六角扳手

1. The installation area shall be 20cm higher than the door glass.
 2. When a floor drain is present, the floor flatness shall not exceed 1mm per meter.
 3. The seal, if any, shall be adjusted to a horizontal state.
1. 淋浴房安装区域的空间高度, 要比淋浴房高20厘米才能正常安装。
 2. 对于配地漏使用的淋浴房地面平整度要求, 每米长度不能超过1mm, 地漏和门坡在同一侧。
 3. 对于配挡水条安装的淋浴房, 要求将挡水条调至水平状态。



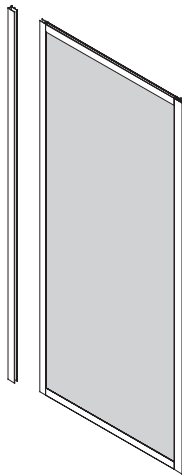
STEP 1

1. When a seal is installed, place the frame assembly inside the seal 10mm from its outer edge. Mark the drilling positions by reference to the holes in jambs of the door glass and the side panel glass.
 2. When no seal is installed, position the jambs of the door glass along the floor drain edge and position the jambs of the side panel inside the door glass 10mm from the outer edge. Mark the drilling positions.
 3. Drill holes into the wall at the marked positions. Install the expansion fastener.
1. 带挡水条的淋浴房, 参照淋浴房挡水条边沿从外往里偏移10mm, 参照正面和侧面上墙材孔位标记钻孔位置。
 2. 对于不带挡水条的淋浴房, 正面墙材靠着地漏边沿定位, 侧面墙材按照淋浴房下单宽度往里偏移10mm, 标记打孔位置。
 3. 参考固定孔标记位置钻孔, 安装膨胀套。



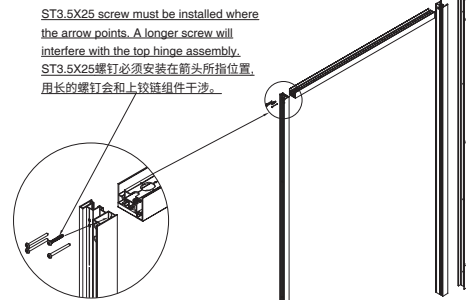
STEP 2

1. Fix the wall jamb of the side panel glass (the wall jamb of the door glass is not fixed now).
 2. Insert the side panel glass into the wall jamb.
1. 先固定侧固玻上墙材 (注意正面墙材先不固定)。
 2. 将侧固玻装入侧固玻墙材。



STEP 3

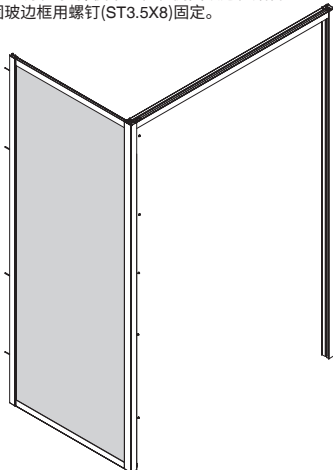
1. Fix the bottom fixture onto the door glass frame.
 2. Assemble the top frame and the left and right frames (note the installation position of ST3.5X25 screw).
 3. Insert the jamb at the other side into the frame (pass the adjusting screws through the gourd holes in the frames and slide the jambs downward to insert them into the frames); Adjust the adjusting screws to minimize the clearance between the wall jambs and the frames.
1. 将下固定座固定在门玻边框上 (参考下图)。
 2. 组装上横梁和左右边框 (注意ST3.5X25螺钉的安装位置)。
 3. 将一侧墙材扣入边框 (墙材上的调节螺钉穿过竖材上的葫芦孔, 往下滑动扣入竖材); 调整边框上的调节螺钉, 将墙材和竖材的距离调到最小。



1. Fix the bottom fixture onto the door glass frame.
1. 将下固定座固定在门玻边框上。

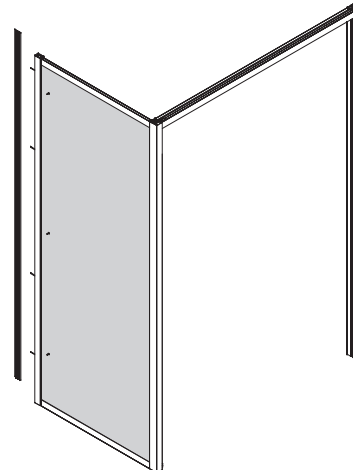
STEP 4

1. Fix the frame and the jamb at the wall side onto the wall.
 2. Adjust the adjusting screws on the side frames and jambs of the door glass so that the center post is pressed against the side frame of the side panel glass.
 3. Fix the center post and the side frame of the side panel glass together using screws (ST3.5x8).
1. 将正面靠墙侧边框和墙材与墙壁固定。
 2. 调整正面边框墙材上的调节螺钉, 使中立柱和侧固玻边框贴合。
 3. 将正面中立柱和侧固玻边框用螺钉(ST3.5X8)固定。



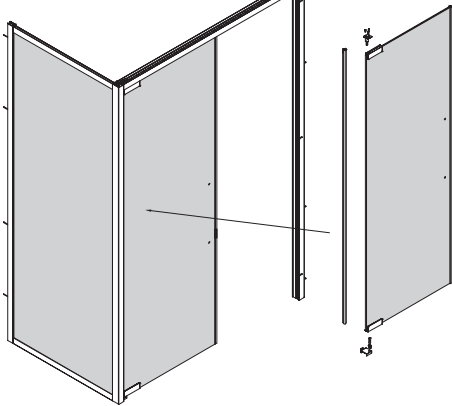
STEP 5

1. Drill a $\Phi 3.0$ mm bottom hole by reference to the hole in the side jamb.
 2. Fix the side jamb and the vertical frame together using screws (ST3.5x12). Then assemble the decorated cover onto the jamb.
1. 参照侧墙材上的孔位钻直径3.0mm的底孔。
 2. 用螺钉(ST3.5X12)将侧固玻墙材和固玻竖材锁定, 然后组装侧固玻墙材装饰盖。



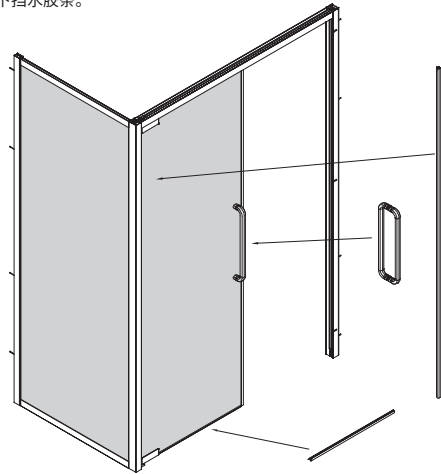
STEP 6

1. Assemble the decorated cover, hinge sleeve and hinge shaft together. Insert the assembly into the bottom hinge. Then move the door glass to insert the decorated cover into the bottom fixture.
 2. Hold the door glass upright. Insert the limiting hinge assembly into the top hinge from the top frame. When the door glass hangs down due to gravity, pre-tighten the limiting hinge assembly with a screw.
1. 将下固定座装饰盖、轴套、轴安装在一起，套入门玻下铰链，然后移动门玻将下固定座装饰盖套入下固定座。
2. 扶正门玻，将限位铰链组件，从上横梁插入门玻上铰链，门玻自然下垂，用螺钉预锁紧限位铰链组件。



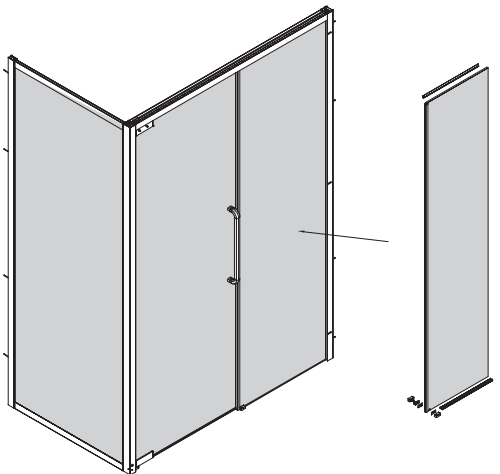
STEP 7

1. Install the handle. Install decorated seals onto the top frame, vertical frames and corner frame.
 2. Install the waterproof seal at the door glass side. Properly adjust the door glass. Tighten the limiting hinge assembly and the decorated cover.
 3. Install the waterproof seal at bottom of the door glass.
1. 安装门把手。安装上横梁、竖材、转角边框上的装饰胶条。
2. 安装门玻侧挡水胶条，调整好门玻的位置，锁紧限位铰链组件，锁紧下固定座装饰盖。
3. 安装门玻下挡水胶条。



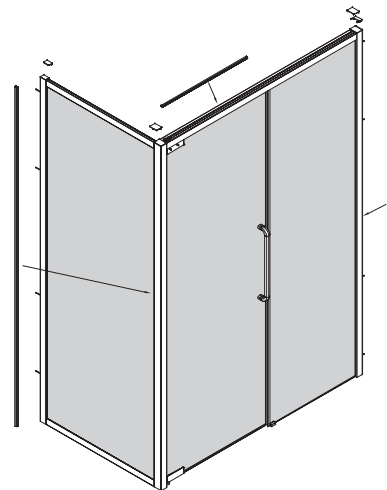
STEP 8

1. Install the seal at bottom of the panel glass. Insert the panel glass into the vertical frame.
 2. Install the seal on the top and side of the panel glass.
 3. Install the bottom bumper block of the panel glass.
1. 安装固玻底部胶条，将固玻装入竖材。
2. 安装固玻顶部和侧边紧固胶条。
3. 安装固玻底部定位件。



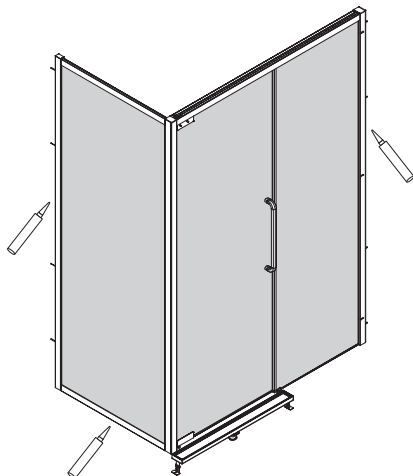
STEP 9

1. Install the end caps onto the top of the side panel glass jamb, corner jamb and vertical frame.
 2. Install decorated seals onto the top frame, vertical frames and corner frame.
1. 安装侧固玻墙材、转角墙材和竖材顶部端盖。
2. 安装上横梁、竖材、转角边框上的装饰胶条。



STEP 10

1. Apply sealant onto both sides of the left and right jambs and also onto the edges of the bottom fixture.
 2. If a seal is installed, apply sealant onto its bottom edges.
1. 墙材两侧与底部固定座边沿打胶固定。
2. 带挡水条淋浴房，在挡水条底部边沿打胶固定。



STEP 11