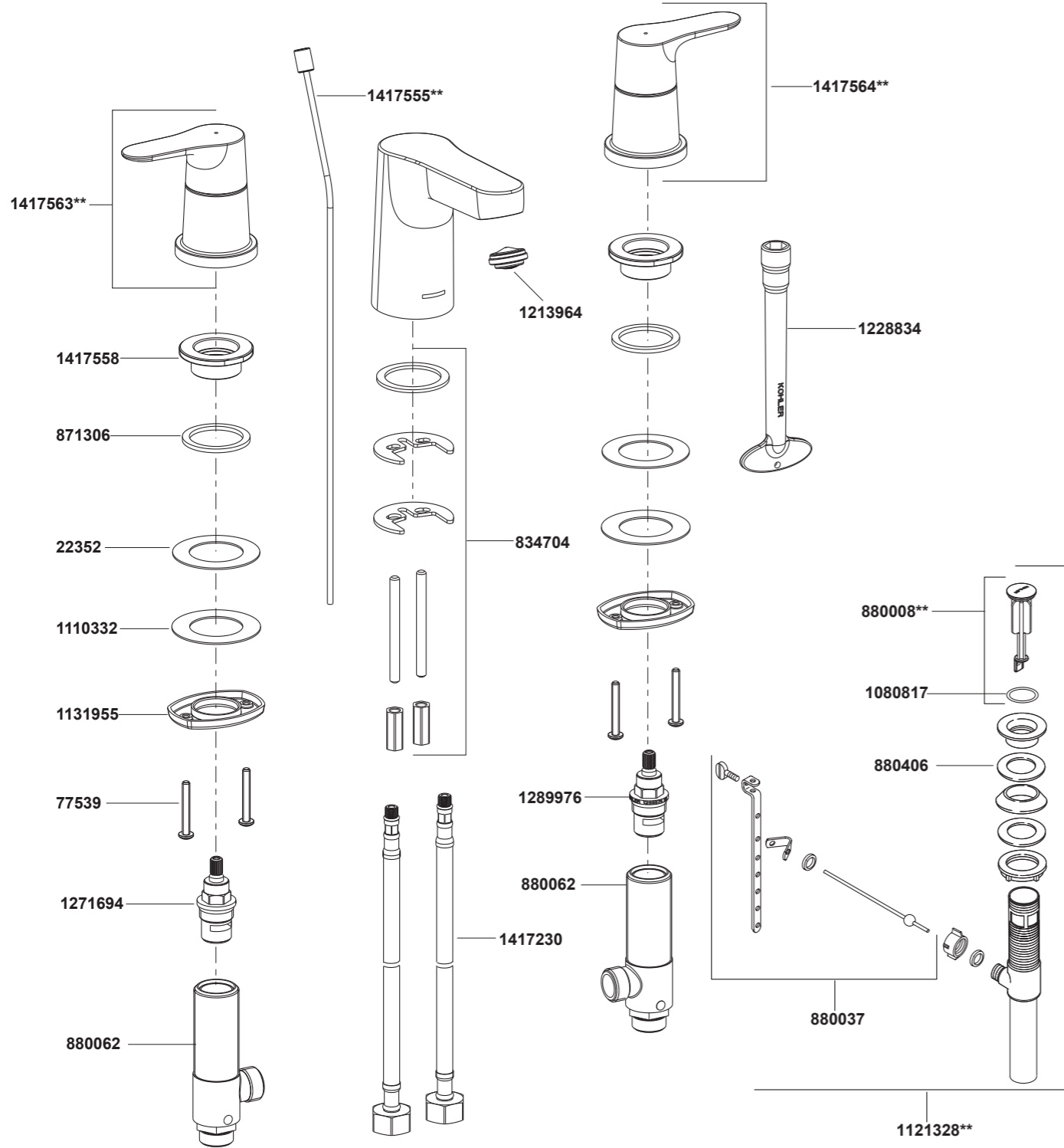


33065T-4 8" 脸盆龙头



**订购时请说明颜色编号
**Color code must be specified when ordering

33065T-4 8" 脸盆龙头

安装之前

所有的资料是按最新出版的产品资料编写而成。科勒公司保留任何时候不经通知即可改变产品特性、包装或产品可供类型的权利。

说明书包括重要的安装、保养及清洁方面的内容，请把这些资料交给用户阅读。

注意事项：

1. 一定要先彻底冲洗供水管以清除管道中的杂质。
2. 尽可能在安装脸盆之前安装水龙头。
3. 检查供水管有无损坏和漏水。如需要，进行替换和维修。
4. 遵守当地管路安装条例。
5. 切断供水管路。

BEFORE YOU BEGIN

All information is based on the latest product information available at the time of publication. Kohler Co. reserves the right to make changes in product characteristics, packaging, or availability at any time without notice.

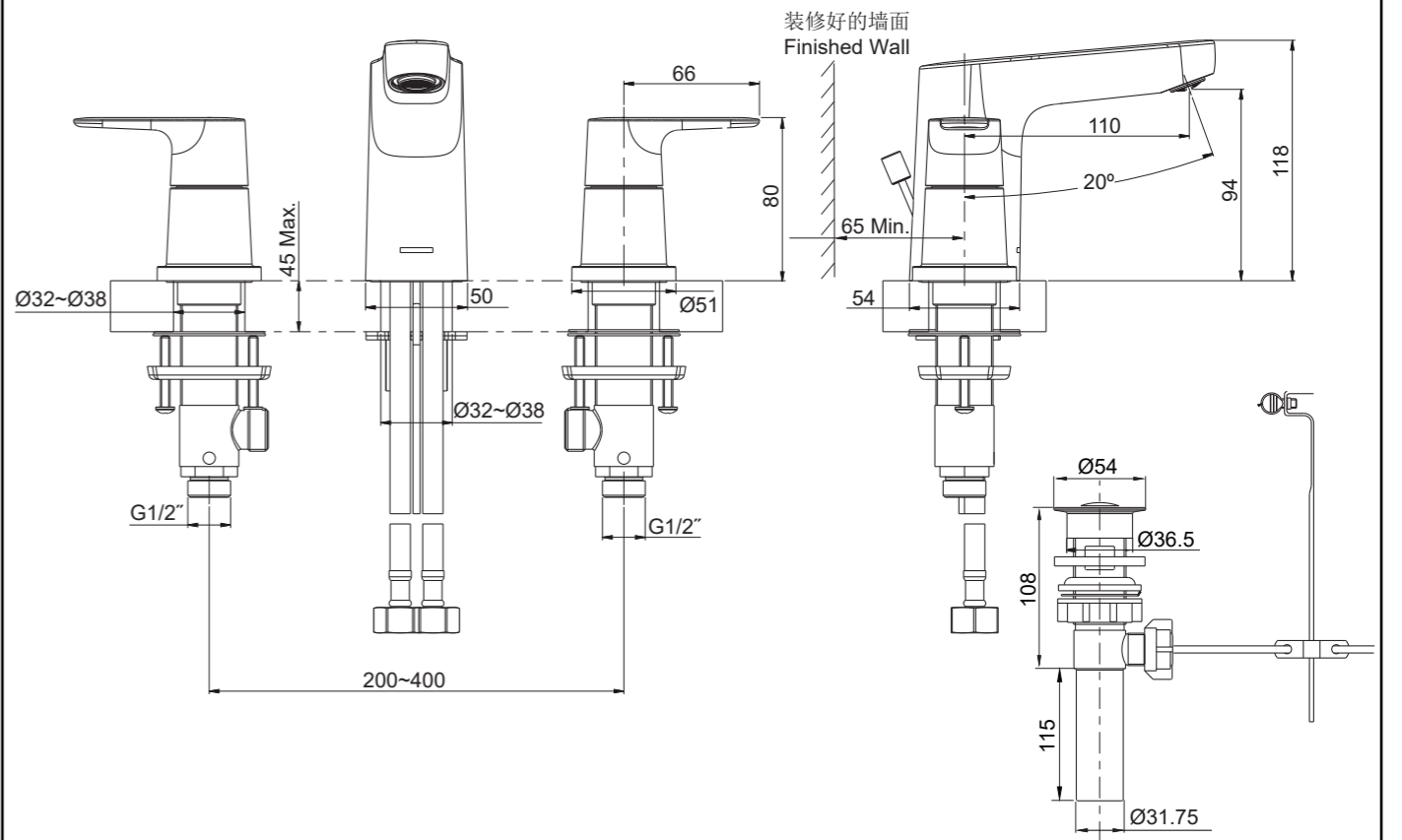
Please leave these instructions for the consumer. They contain important information.

NOTES:

1. Flush the water supply pipes thoroughly to remove debris.
2. If possible, install this faucet before installing the lavatory.
3. Inspect the supply tubing for damage and leakage. Replace and maintain as necessary.
4. Observe local plumbing codes.
5. Shut off the water supplies to the fitting.

安装尺寸

ROUGH-IN DIMENSIONS

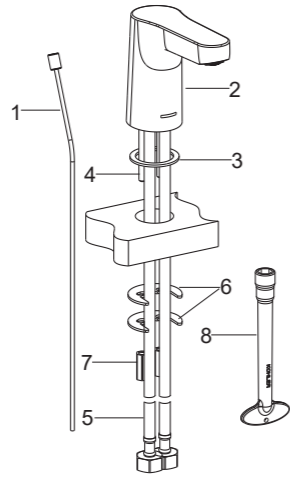


安装步骤

如何安装出水口

将提拉杆(1)插入出水口(2)后侧孔中, 将固定螺杆(4)拧到水龙头底部, 把垫片(3)通过软管(5)和固定螺杆(4)放入水龙头底部槽中, 将软管和固定螺杆插入脸盆中孔。

调整出水口位置, 使出水口朝向正前方。从脸盆下方把垫片(6, 橡胶垫片放在上面)套在固定螺杆上, 将螺母(7)旋到螺杆上, 用扳手(8)锁紧螺母以固定出水口组件。



INSTALLATION

How to Install Spout

Insert lift rod(1) into the hole at the rear of spout assembly(2). Install mounting studs(4) into the bottom of the faucet. Put the washer(3) into the bottom groove of the faucet through hoses(5) and studs(4). Insert hoses and studs into the central hole of lavatory.

Position the spout to keep it facing front. From underside of lavatory, fit washers(6, rubber washer is on the top) onto the studs. Screw the nuts(7) onto the studs. Tighten nuts to secure spout with tool(8).

如何安装阀体和把手

将螺母(11)与橡胶垫片(12)从阀体组件(17)上取下。确保垫片(13)、钢垫(14)和安装环(15)依次装在阀体上。

从脸盆下方将阀体组件装入脸盆安装孔。**注意:**面向龙头时, 有红色标记的阀体组件装在左侧, 与热水源连接。

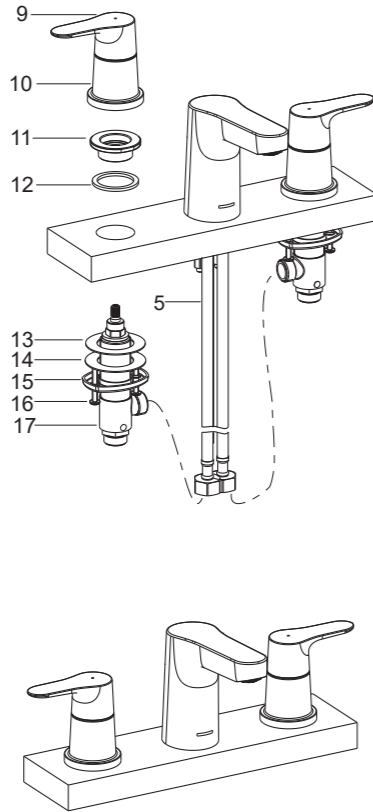
将橡胶垫片(12)装到螺母(11)底部凹槽中, 从脸盆上方将螺母旋到阀体组件(17)。

根据软管安装需要, 适当调整阀体出水口朝向。拧紧螺钉(16)以固定阀体组件。

将软管(5)连接到阀体出水口。

确保阀芯处于关闭状态, 将把手组件(10)安装到螺母(11)上并旋紧, 调整把手(9)至图示方向。**注意:**带有红色圆点的把手装在左侧。

阀处于关闭位置把手的状态如图示。



How to Install Valve Bodies and Handles

Remove the nut(11) and rubber washer(12) from each valve body(17). Ensure the washer(13), steel washer(14) and threaded ring(15) on the valve body.

From underside of the lavatory, insert valve body into the mounting hole. **NOTE:** The valve body with red mark should be installed on the left and connected with hot water supply.

Put rubber washer(12) into the bottom groove of the nut(11). Tighten the nut onto valve body(17) from the upside of the lavatory.

Adjust the outlets of side bodies for hose installation as needed. Tighten screws(16) to secure the side bodies.

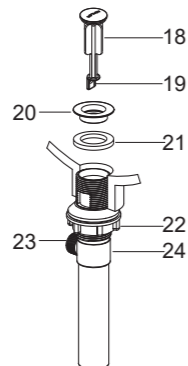
Attach hoses(5) to the side bodies.

Install and tighten handle kits(10) onto the nuts(11) with the valve closed. Adjust the position of handles(9) as shown. **NOTE:** The handle kit with red mark should be installed on the left side.

The illustration shows handles are in the off position.

如何安装排水器

将止水塞(18)、法兰盘(20)及垫片(21)从排水本体(24)上取下。把排水本体组件从脸盆下方插入到脸盆中, 排水杆洞口(23)朝后方。把法兰盘带垫片旋入排水本体中, 从下方用手拧紧锁紧螺母(22)。



How to Install the Drain

Remove stopper(18), flange(20) and washer(21) from drain body(24). Insert drain body kit into the lavatory from underside, make sure the drain lever hole(23) facing the back of the lavatory. Screw the flange with washer onto the drain body. Hand-tighten the locknut(22) from underside of lavatory.

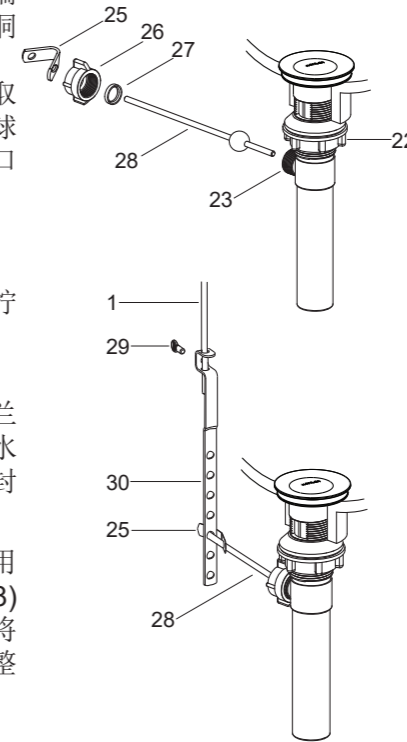
注意: 如果需要, 可直接在法兰盘(20)底面沿周围涂一圈密封油灰, 或其他密封剂, 而不使用垫片(21)。把止水塞(18)放入排水本体中, 调整止水塞末端的洞口(19)使其靠近并对正排水杆的洞口。

将固定螺母(26)和“V”形夹(25)取下, 把塑料垫圈(27)及固定螺母装在球杆(28)上, 把球杆组件插入排水杆洞口中并穿过止水塞, 拧紧固定螺母。

确保球杆(28)指向脸盆后方, 用扳手拧紧排水本体上的锁紧螺母(22)。

注意: 在锁紧螺母拧紧后, 如果法兰盘使用密封油灰, 则不可以调整排水本体的位置, 否则会破坏油灰的密封性。同时去除多余油灰。

把手捻螺丝(29)装到联杆(30)上。用“V”形夹(25)将联杆连接到球杆(28)上。将提拉杆(1)插入联杆的孔中, 将球杆下推至排水组件全开位置, 调整提拉杆位置。拧紧手捻螺丝(29)。



NOTE: If needed, apply a ring of plumbers putty around the underside of the drain flange(20), instead of using washer(21). Place stopper(18) into drain body aligning the flat side of stopper hole(19) with the drain lever hole.

Remove the retaining nut(26) and “V”-clip(25). Fit plastic washer(27) and retaining nut onto the ball lever(28). Insert the ball lever assembly into the drain lever hole and through the stopper hole. Tighten the retaining nut.

Be sure that the ball lever(28) points to the back of the lavatory, tighten locknut(22) on the drain body by wrench.

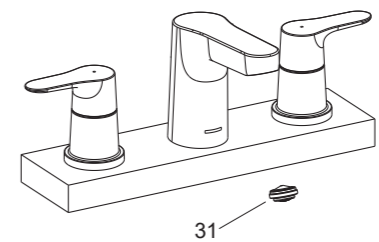
NOTE: Do not reposition the drain if plumbers putty applied after the locknut is tightened, or you may break the putty seal. Wipe away excess plumbers putty.

Assemble thumb screw(29) to link(30), and link it onto ball lever(28) with “V”-clip(25). Slide lift rod(1) through the hole of link. Push the ball lever down to the full open position. Adjust the position of lift rod as needed. Tighten thumb screw(29).

安装结果检查

检查并确保所有的衔接螺母都已拧紧, 确保把手在关的位置。打开排水器和主要供水源, 检查并修理有漏水的接口。

用硬币拆下起泡器组件(31)。打开水龙头冷热水, 让水流出约一分钟以清除杂质。冲洗起泡器组件, 关闭水龙头, 重新装回起泡器组件。



INSTALLATION CHECKOUT

Ensure that all connections are tight. Ensure that the handles are in the off position. Turn on the drain and main water supply, and check for leaks. Repair as needed.

Remove the aerator kit(31) with a coin. Turn on the faucet. Run hot and cold water through the faucet for about one minute to remove any debris. Remove any debris from the aerator kit. Shut off the faucet. Reinstall the aerator kit.

使用说明

顺时针旋转右边把手为冷水, 逆时针旋转左把手为热水。

清洗说明

适用于所有加工处理过的表面: 以中性肥皂水清洗镀层表面, 再以干净的软布彻底擦干整个表面, 许多清洁剂, 比如氨水、去污粉及洁厕灵等, 会对电镀表面造成伤害, 切忌使用。

有磨损性的清洁用具或清洁剂也不可适用于科勒牌的水龙头及其配件上。

HANDLE OPERATION

Turn the right handle clockwise for cold water, turn the left handle counter-clockwise for hot water.

CLEANING INSTRUCTIONS

All Finishes: Clean the finish with mild soap and warm water. Wipe entire surface completely dry with clean soft cloth. Many cleaners may contain chemicals, such as ammonia, chlorine, toilet cleaner etc. which could adversely affect the finish and are not recommended for cleaning.

Do not use abrasive cleaners or solvents on Kohler faucets and fittings.