

EX27028T-9 挂墙式恒温花洒龙头  
EX27029T-9 挂墙式恒温浴缸花洒龙头

#### 安装之前

所有的资料是按最新出版的产品资料编写而成。科勒公司保留任何时候不经通知即可改变产品特性、包装或产品可供类型的权利。

说明书包括重要的安装、保养及清洁方面的内容，请把这些资料交给用户阅读。

##### 注意事项：

1. 最小供水压力：0.05MPa(0.5bar)。
2. 推荐冷热供水的静态压力：0.3MPa(3bar)。
3. 如果供水压力大于0.5MPa(5bar)，安装减压阀。
4. 热供水温度最低：50°C；最高：80°C。
5. 推荐的热供水温度：65°C。
6. 温度的设定基本范围为：20°C到49°C。
7. 安全限位温度：37°C。
8. 最高混合温度：49°C。
5. 花洒最高工作温度及环境温度：60°C。请特别注意花洒同花洒连接的臂管须远离浴霸，否则可能损坏花洒及其密封件，甚至对使用者造成伤害。

#### BEFORE YOU BEGIN

All information is based on the latest product information available at the time of publication. Kohler Co. reserves the right to make changes in product characteristics, packaging, or availability at any time without notice.

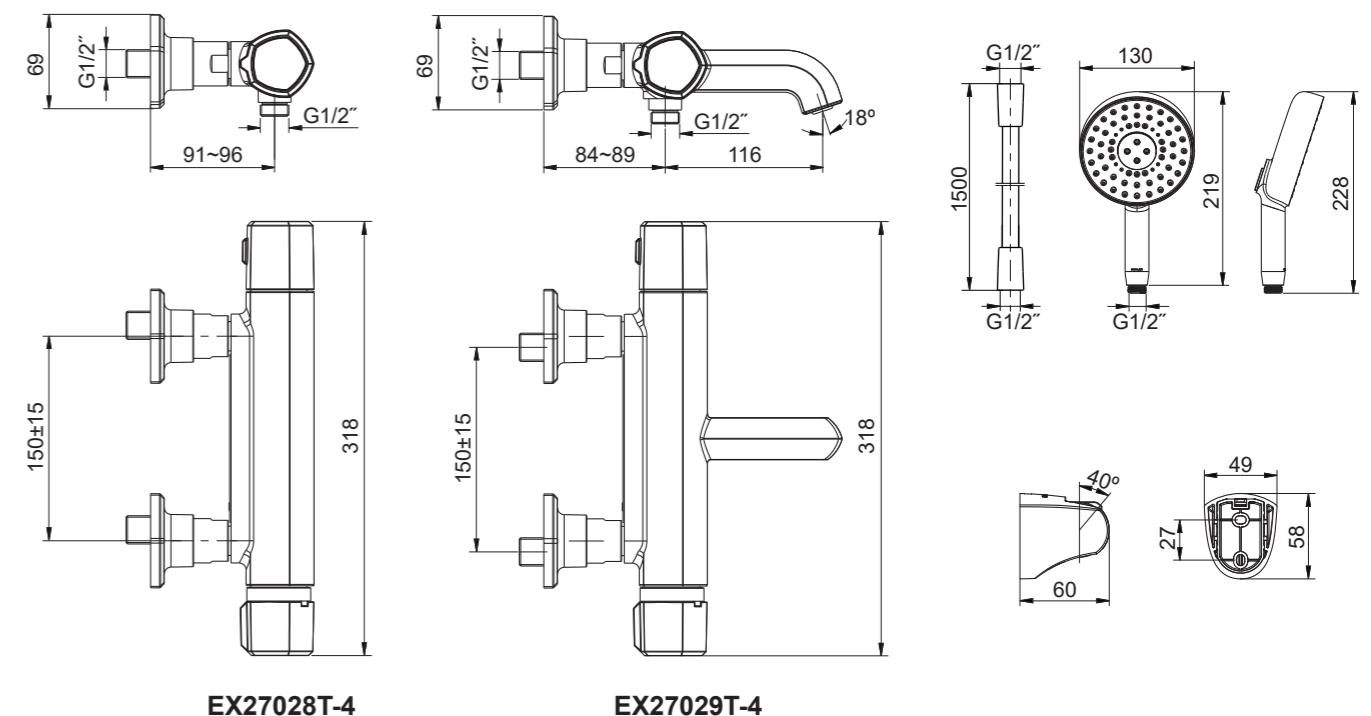
Please leave these instructions for the consumer. They contain important information.

##### NOTES:

1. Minimum supply pressures: 0.05MPa(0.5bar).
2. Recommended supply static pressures: 0.3MPa(3bar) on hot and cold water.
3. Supply pressure greater than 0.5MPa(5bar): install a pressure reducer.
4. Hot water temperatures, minimum: 50°C, maximum:80°C.
5. Recommended hot water temperature: 65°C (energy-saving).
6. Setting range, approximately: 20°C to 49°C.
7. Safety stop at: 37°C.
8. Maximum mixed water temperature: 49°C.
9. The highest environment temperature for handshower & showerhead is 60°C. Please keep handshower, showerhead and shower arm away from heater, or it may become damaged and cause injury to the user.

#### 安装尺寸

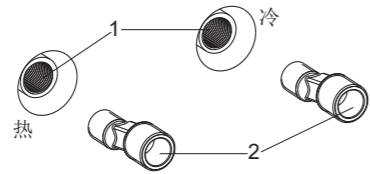
#### ROUGH-IN DIMENSIONS



## 安装步骤

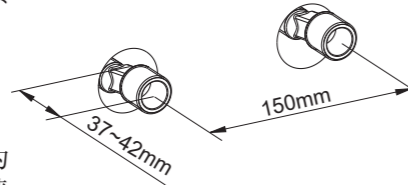
### 如何安装水龙头

为使安装顺利，G1/2"内螺纹管道配件(1)应已装好，预留150mm的间距，保持水平。管道配件要垂直并不能突出装修好的墙面。热供水管装在左边。



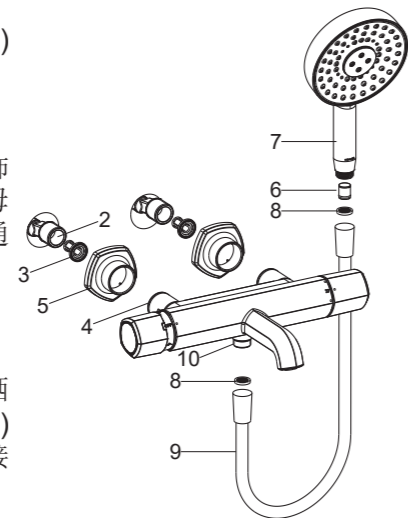
彻底冲洗供水管，以清除管路中的杂质。

使用合适的螺纹密封膏，安装两个接头(2)到冷热供水管。



调节两个接头，使其中心距离为150mm，并保持同一水平线，凸出墙面37~42mm。

把滤网(3)放入接头(2)内。把装饰罩(4)套在螺母(5)上。



把螺母旋到接头上并旋紧。后推装饰罩使其紧贴墙壁。**注意：**在锁紧螺母时，须用带状扳手或用软布垫在普通扳手和螺母之间，以保护镀层表面。

根据需要，将单向阀(6)塞入手持花洒(7)进水口。将垫片(8)分别装进软管(9)两端。用软管连接手持花洒与龙头接头(10)。

## INSTALLATION

### How to Install the Faucet

To perform installation, installer must provide G1/2" female supply fittings(1), spaced 150mm apart and horizontally. The supply fittings should be vertical and not beyond the finished wall. Hot supply pipe must be located on the left.

Flush the water supply pipes thoroughly to remove debris.

Use appropriate thread sealants on threads of offset connectors. Install two offset connectors(2) into the HOT and COLD supply pipes.

Adjust the center-to-center distance between the connectors to 150mm horizontally. They should extend 37~42mm beyond the finished wall.

Put the filters(3) into the connectors(2). Slide the escutcheons(4) onto the nuts(5).

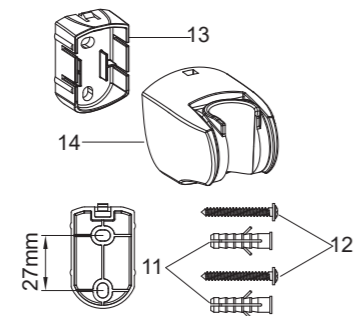
Thread the nuts to the connectors. Push the escutcheons until they are against the finished wall. **NOTE:** When tighten the nuts, use strap wrench or soft cloth between product and regular wrench to protect the finish.

Insert the check valve(6) into the handshower(7) if needed. Put the washer(8) into the hose(9). Connect the handshower and faucet outlet(10) with hose.

### 如何安装托架

在墙面选一合适的位置来安装托架。

根据孔距在墙面标记钻孔的位置，依据胀塞(11)直径打孔，安装胀塞。



旋紧螺钉(12)，使底座(13)，平面朝上)固定紧贴墙壁。将托架(14)扣在底座上，使凸台嵌入豁口。

把手持花洒挂在托架上。

### How to Install the Bracket

Determine a suitable location on the finished wall to install the bracket.

Mark the mounting hole locations of the bracket base on the wall according to the dimension. Drill two holes on the finished wall, the holes should match the anchors(11). Install the anchors.

Tighten the screws(12) to secure the bracket base(13, flat side upward). Put the bracket(14) onto the bracket base and locked by stopper.

Hang the handshower on the bracket.

# KOHLER®

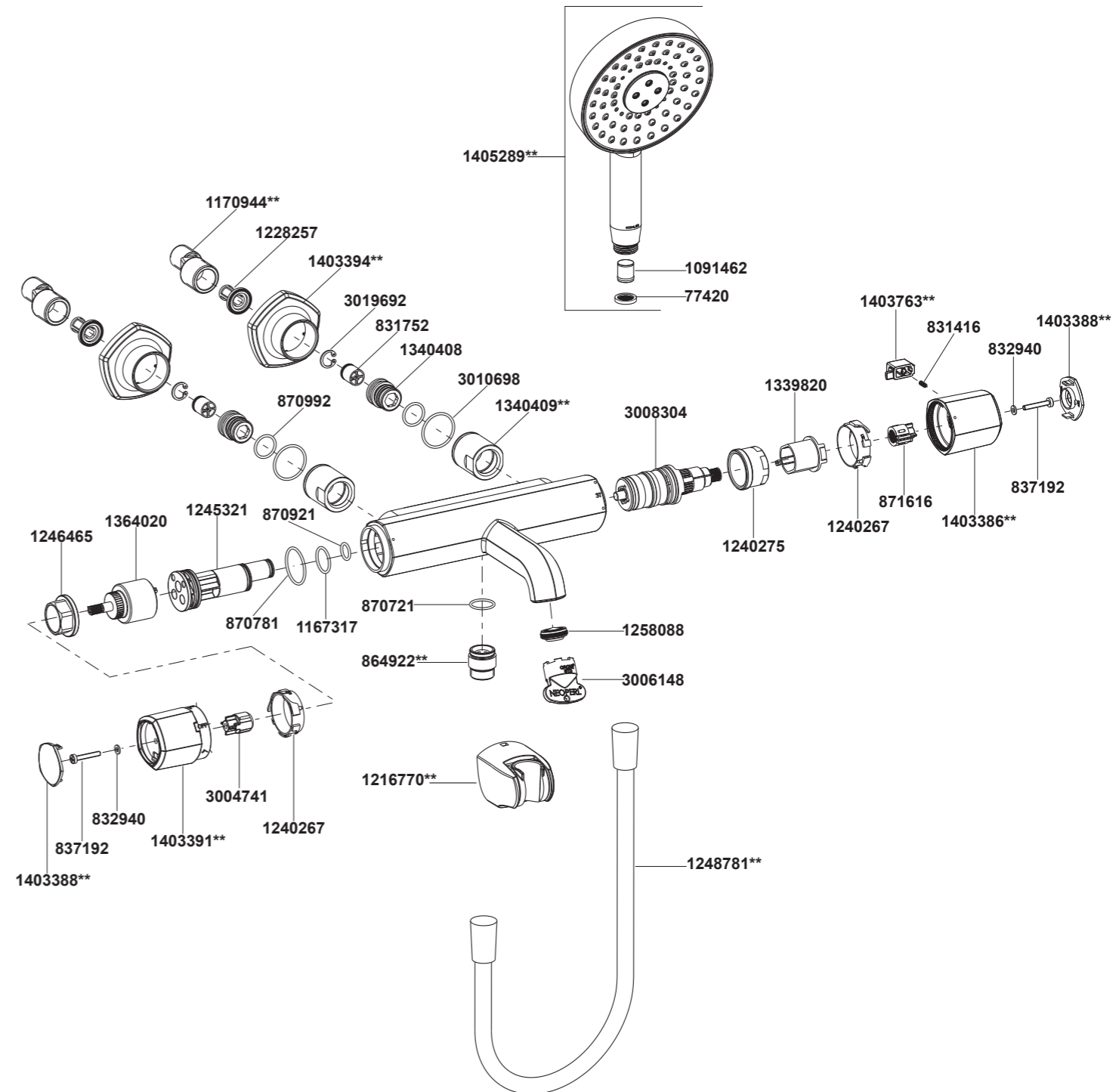
## SERVICE PARTS

### 零件图

# 凯诗 OCCASION

## Wall Mount Thermostatic B/S Faucet

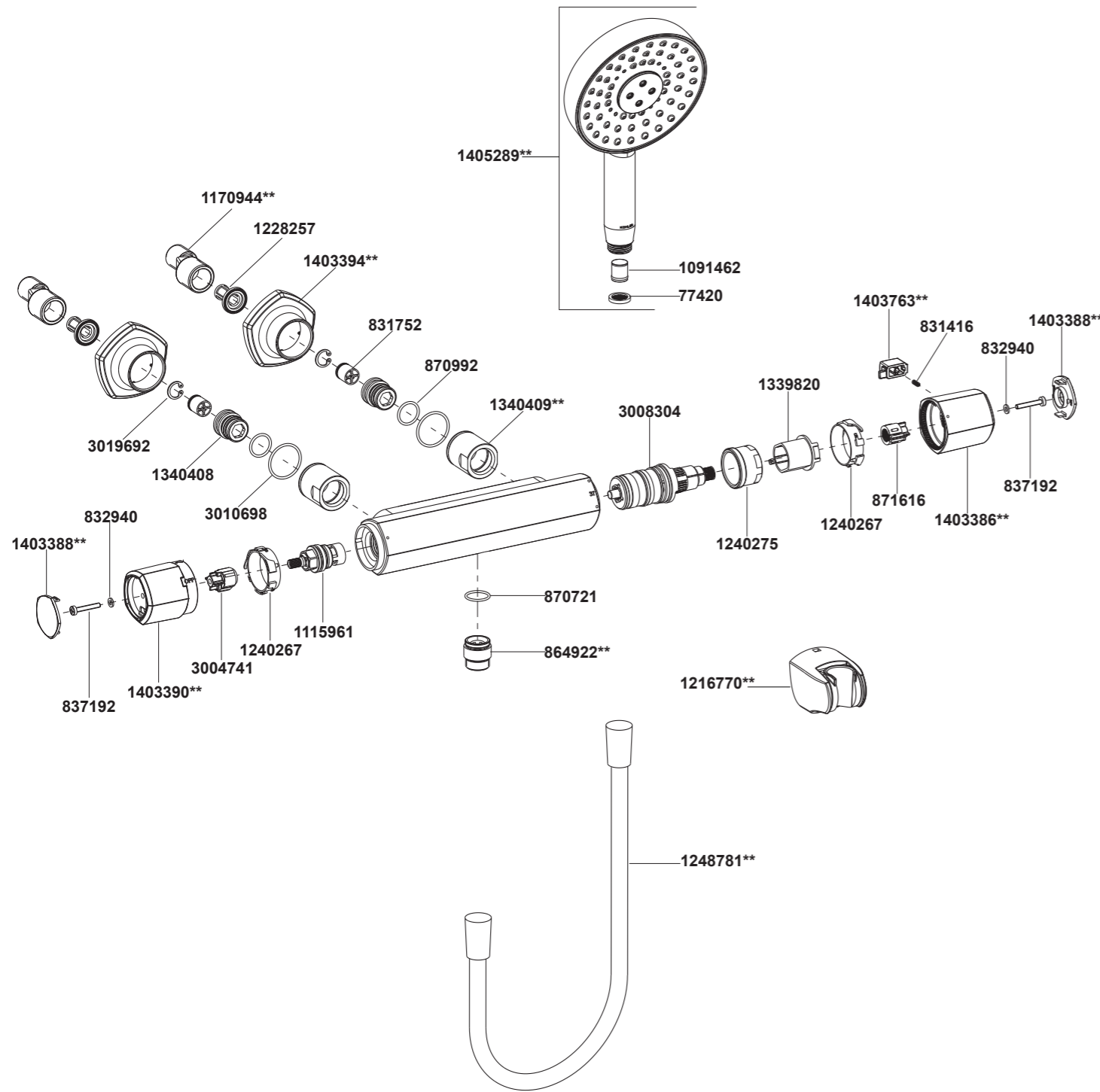
### EX27029T-9 挂墙式恒温浴缸花洒龙头



\*\*订购时请说明颜色编号

\*\*Color code must be specified when ordering

EX27028T-9 挂墙式恒温花洒龙头



\*\*订购时请说明颜色编号  
\*\*Color code must be specified when ordering

**安装结果检查**

检查并确保所有衔接螺母都已拧紧。

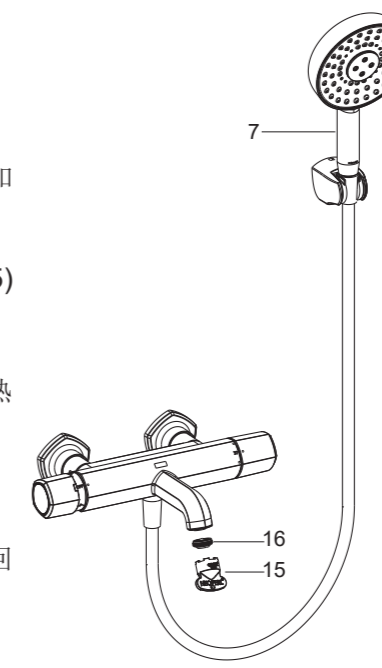
确保把手在关闭位置。

打开主供水源，检查是否有漏水。如有漏水，修理之。

仅对于EX27029T，用起泡器工具(15)拆下起泡器(16)。

取下手持花洒(7)。打开水龙头冷热水，让水流出约一分钟以清除杂质，检查渗漏。

冲洗起泡器，关闭水龙头，重新装回起泡器和手持花洒。



**INSTALLATION CHECKOUT**

Ensure all connections are tight.

Ensure the handles are in the off position.

Turn on the main water supply, and check for leaks. Repair as needed.

Only for EX27029T, remove the aerator (16) with key(15).

Remove the handshower(7). Turn on the faucet. Run hot and cold water through the spout for about one minute to remove any debris. Check for leaks.

Remove any debris from the aerator. Shut off the faucet. Reinstall the aerator and handshower.

**维护与保养**

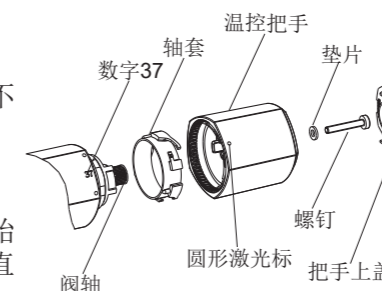
**温度测试与调整**

温度测试前，应确保供水系统充分且有较高的温度。温度把手在37°C位置时，打开龙头让水流出。进行温度测量，出厂时温度设定在36~38°C范围内。如超出这个范围，要进行调整。

调整步骤如下：

取下把手上盖，用螺丝刀取下螺钉(不要丢失垫片)，拔出温控把手组件。

在正常水流状态下，由冷水位置开始慢慢转动温控阀轴(保持同一方向)直至获得37°C水流。如温度超过38°C，回到冷水位置重新调整。温度稳定后，不要转动温控阀轴，将轴套上的凸起对准本体上的凹槽装入。安装温控把手，使得温控把手上的圆形激光标与本体上的数字37对齐。确保垫片套在螺钉上，锁紧螺钉，安装把手上盖。



**CARE AND MAINTENANCE**

**Verification and Setting**

Make sure the water feeds of the faucet have reach the highest temperature by running the water sufficiently. When the selector in position 37°C, the water temperature should be within a range of 36°C between 38°C, as measured by a thermometer. If not, the installer can adjust the setting.

Proceed with the setting as follows:

Remove the handle plug. Uninstall the screw with screwdriver(Do not lose the washer). Remove the handle kit.

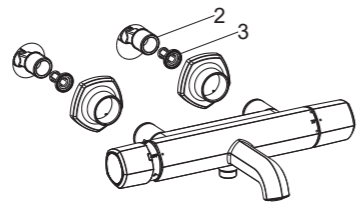
Under the normal condition of water flow, slowly turn the temperature selector (always in the same direction) from the cold water position until the water temperature reaches 37°C. If the temperature goes over 38°C, go back to the "cold" setting and reset it. When the temperature is stable, do not turn the cartridge spindle. Make sure the bulge of the bearing aligns with the groove of the body. Insert the bearing. Install the temperature handle. Ensure the round laser mark on the temperature handle is aligned with the number 37 on the faucet body. Tighten the screw with the washer. Install the handle plug.



## 如何清洗滤网

滤网(3)可起到保护水龙头的作用,但长时间使用后,水垢或杂质可能会堵塞滤网降低水流量。

如有类似情况发生,卸下龙头取出接头(2)内的滤网。用热醋清洗滤网。然后按照图示装回。



## How to Clear the Filter

The filters(3) can protect the faucet, but it may get obstructed and reduce water flow after a long time of use.

If this happens, take out the filters in the connectors(2) after removing the faucet. Clean the filters by soaking them in warm vinegar. Reinstall them as shown.

## 如何清洗温控阀

如果供水的水质较硬或长时间使用,水垢或杂质会阻塞温控阀上的滤网,流量会降低。需要清理请按照下列步骤进行:

关闭供水系统,使流量阀处于打开位置后进行温控阀的拆卸作业。温控阀是较敏感的配件,要十分小心。

拆卸前确保温控把手上的圆形激光标与本体上的数字37对齐。拆卸温控把手组件(Fig.1)。

将螺母和塑料套卸下。小心地卸下温控阀(Fig.2)。用热醋进行清洗。

清洗后,将塑料套和螺母(限位组件)装到温控阀上,使塑料套上的定位柱嵌入温控阀的限位槽内(Fig.3)。

将塑料套上的定位柱与龙头本体孔凹槽对齐,装入温控阀并锁紧螺母(Fig.4)。

**注意:** 确保拆卸、安装过程中不要转动温控阀轴。如不小心转动了阀轴,要调整阀轴使外齿上的标识与相邻的塑料套上的凹槽对齐(Fig.5),或者按前述方法进行调整。

不要转动温控阀轴,将轴套上的凸起对准本体上的凹槽装入。安装温控把手,使得温控把手上的圆形激光标与本体上的数字37对齐。确保垫片套在螺钉上,锁紧螺钉,安装把手上盖(Fig.1)。

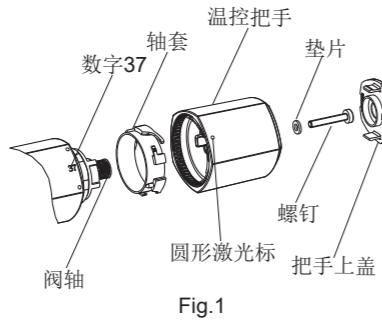


Fig.1

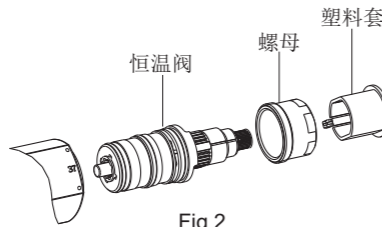


Fig.2

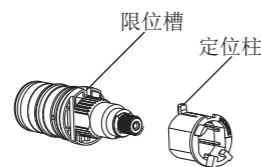


Fig.3

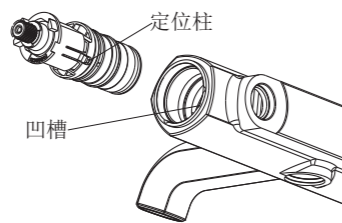


Fig.4

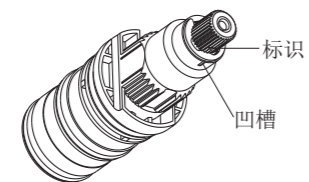


Fig.5

## How to Clear the Thermostatic Cartridge

Very hard water can obstruct filters on the thermostatic cartridge and reduce the water flow. Please clean the cartridge as follows:

Shut off the water supply of the faucet and turn on the water flow valve, then proceed to remove the cartridge. The cartridge is sensitive part, please be careful.

Before your action, make sure the round laser mark on the temperature handle is aligned with the number 37 on the faucet body. Remove the handle kit(Fig.1).

Unscrew the nut and stopper. Remove the cartridge cautiously(Fig.2). Clean the thermostatic cartridge by soaking it in warm vinegar.

After cleaning, install the "stop assembly" back on the cartridge, adjust the stop pin into the notch(Fig.3).

Install the assembly cartridge and stop in the body, adjust the stop pin into the notch(Fig.4).

**NOTE:** Do not turn the cartridge when reinstalling it. If you turned it accidentally, you should adjust it and be sure that the mark is correctly in line with the groove (Fig.5), or readjust as per the steps of verification and setting.

Install the bearing(without turning the spindle). Make sure the bulge of the bearing aligns with the groove of the body. Install the handle. Ensure the round laser mark on the temperature handle is aligned with the number 37 on the faucet body. Tighten the screw with the washer. Install the handle plug(Fig.1).

## 使用说明

慢慢旋转温控把手即右把手,调整温度,安全限位温度为37°C。如果想得到更高温度,按住按钮继续逆时针旋转。水流量是通过左把手来控制的。

对于EX27028T-9,逆时针旋转左侧把手打开龙头,顺时针旋转关闭龙头。

对于EX27029T-9,顺时针旋转左侧把手切换至浴缸出水口出水,逆时针旋转切换至手持花洒出水。

## 清洗说明

适用于所有加工处理过的表面:以中性肥皂水清洗镀层表面,再以干净的软布彻底擦干整个表面,许多清洁剂,比如氨水、去污粉及洁厕灵等,会对电镀表面造成伤害,切忌使用。

有磨损性的清洁用具或清洁剂也不可适用于科勒牌的水龙头及其配件上。

## HANDLE OPERATION

The temperature is set by slowly turning the temperature selector(right-hand handle). For safety reasons, there is a stop that limits temperature to 37°C. To get a higher temperature, push the button and continue turning the temperature selector counter-clockwise. Water flow is set by turning the left-hand handle.

For EX27028T-9, turn the left-handle counter-clockwise for opening the faucet, turn clockwise for closing the faucet.

For EX27029T-9, turn the left-handle clockwise for bath spout, turn counter-clockwise for handshower.

## CLEANING INSTRUCTIONS

All Finishes: Clean the finish with mild soap and warm water. Wipe entire surface completely dry with clean soft cloth. Many cleaners may contain chemicals, such as ammonia, chlorine, toilet cleaner etc. which could adversely affect the finish and are not recommended for cleaning.

Do not use abrasive cleaners or solvents on Kohler faucets and fittings.