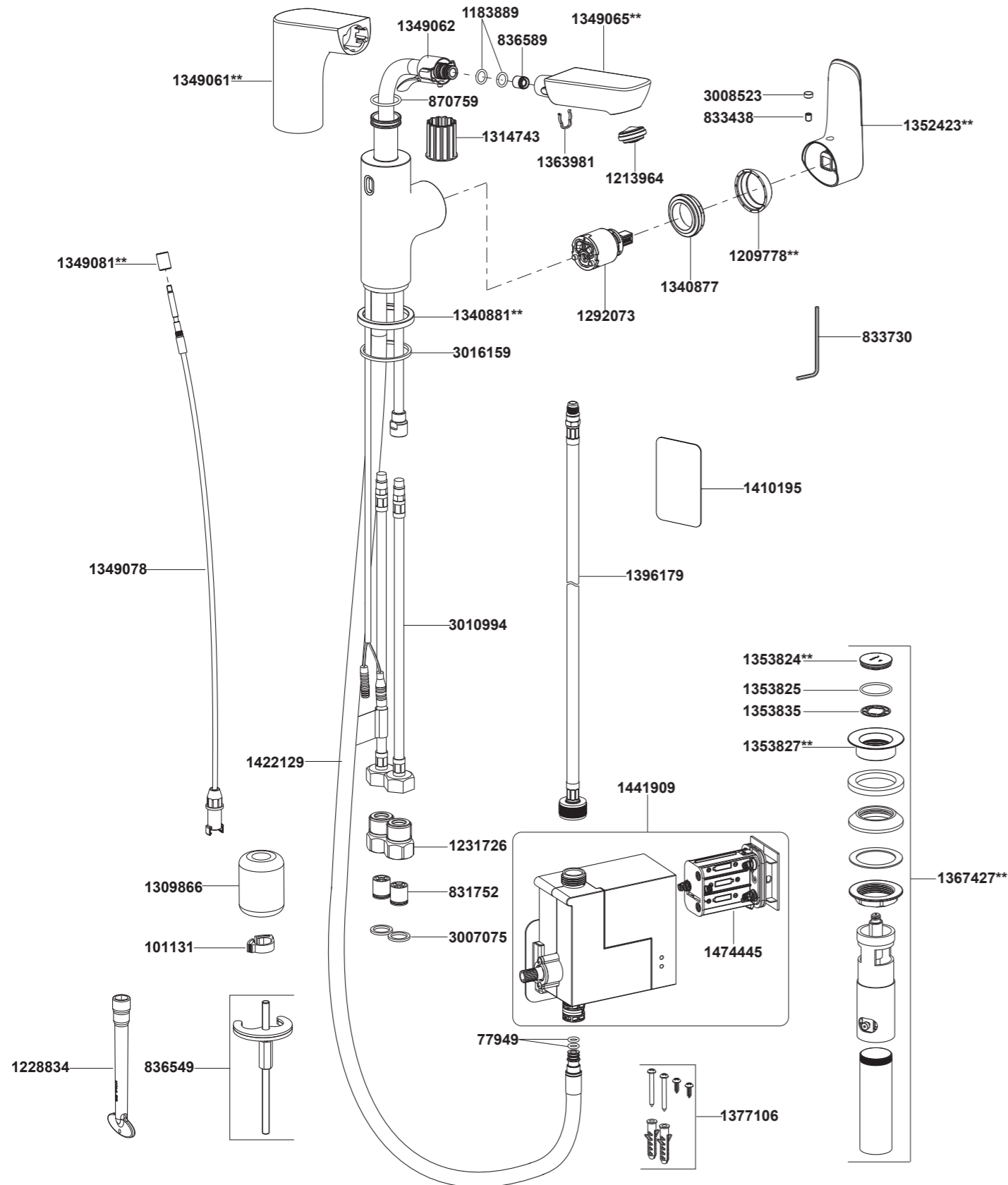


29006T-4 Touchless Grooming Lavatory Faucet(S)



**Color code must be specified when ordering.

29006T-4 Touchless Grooming Lavatory Faucet(S)

BEFORE YOU BEGIN

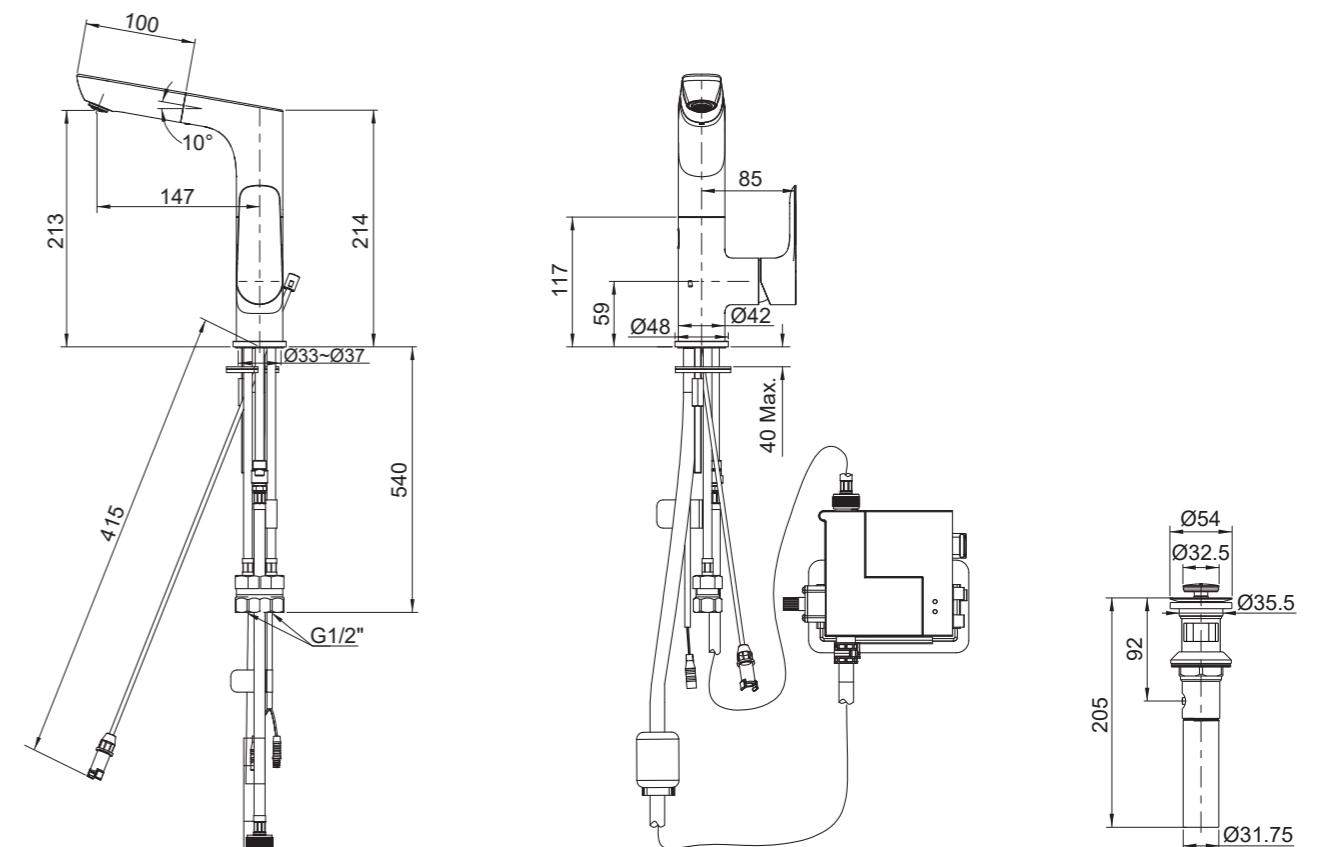
All information is based on the latest product information available at the time of publication. Kohler Co. reserves the right to make changes in product characteristics, packaging, or availability at any time without notice.

Please leave these instructions for the consumer. They contain important information.

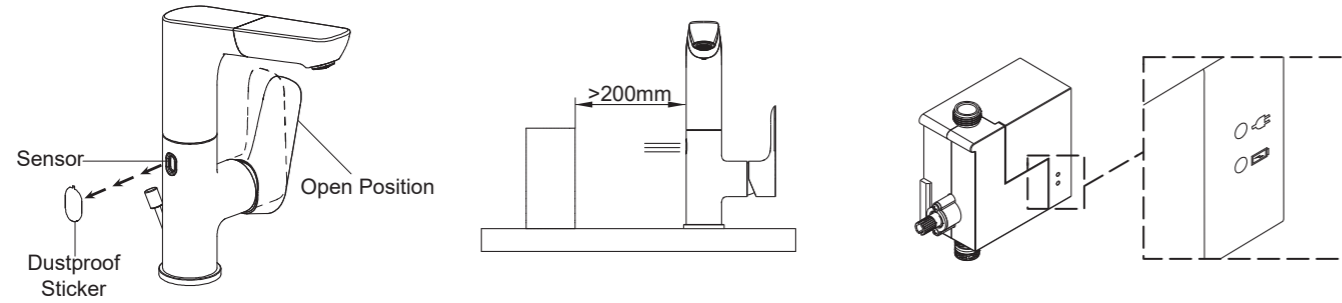
NOTE:

1. Flush the water supply pipes thoroughly to remove debris.
 2. For new installations, install the faucet to lavatory before installing.
 3. The highest working pressure for sprayhead is 0.5MPa(5bar). If it exceeds 0.5MPa(5bar), a pressure reducer is needed. The highest water and environment temperature is 60°C. Please keep sprayhead away from heater, or it may become damaged and cause injury to the user.
 4. **Risk of injury or property damage.** Please read all instructions thoroughly before beginning installation.
 5. Follow all plumbing, electrical, and building codes.
 6. **Risk of fresh water contamination.** This faucet contains back-siphonage protection. Do not remove any internal components.
 7. **Risk of product damage.** This product contains sensitive electronic components. Do not store open containers of chemical or cleaning products near this product.
 8. When locating the valve box bracket make sure that the spray hose weight will not interfere with the valve box or wire connections.
 9. Allow adequate clearance for servicing.
- 1) Before installing the faucet make sure the cabinet area under lavatory can accommodate all of the required components.
 - 2) Consider loose fitting the connections covered in the following steps to make sure the bracket location allows enough clearance for the operational use of the spray hose and weight.

ROUGH-IN DIMENSIONS



OPERATION INSTRUCTION



Faucet Operation

- Remove the dustproof sticker from the sensor lens.
- Rotate the handle outward to the open position. If the valve is turned on, it will start water flow automatically. If the valve is not turned on, it will not start water flow, wave your hand near the sensor to turn on the valve. After 4 minutes of inactivity, the water will automatically shut OFF, wave your hand near the sensor again to turn the water ON.
- Adjust the handle to the desired water temperature.
- Wave your hand near the sensor again to turn the water OFF.

NOTE:

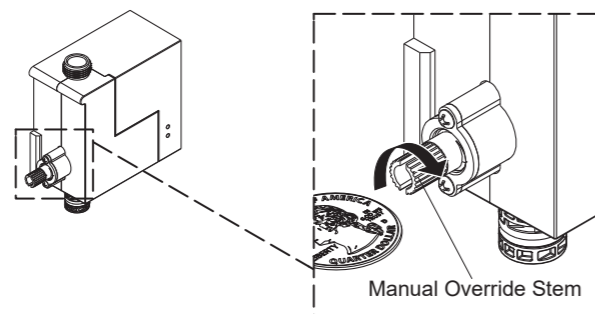
- For extended periods of nonuse, the handle should be returned to the closed (upright) position.
- Keep the sensor away from the steam.
- Do not place anything within 200mm from the sensor to avoid accidentally activating the sensor and power consumption.

Valve Box LED Indicators

- Green LED:** Indicates that the AC plug is installed and connected.
- Red flashing LED:** Indicates low batteries.

Features

- Automatic shut-off: After 4 minutes of inactivity, the water will automatically shut OFF.



Manual Sensor Override

- In case of power loss, the sensor function can be bypassed by engaging the manual override feature on the valve box.
- Turn clockwise to engage the bypass and counter-clockwise to disable the bypass with coin.
- Once the manual override is engaged, the faucet can then be operated manually only.

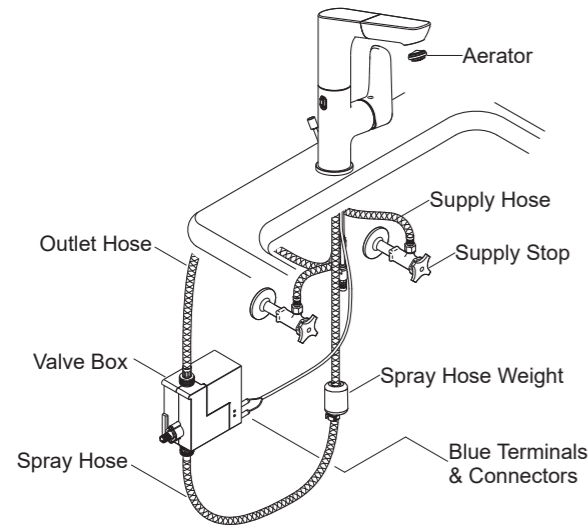
TROUBLESHOOTING

CAUTION: Risk of product damage. This product contains sensitive electronic components. Use care not to damage pins and connectors during troubleshooting.

Faucet Troubleshooting Table

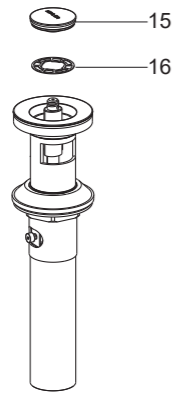
Symptoms	Probable Causes	Recommended Actions
1. No water flow.	<ul style="list-style-type: none"> A. The supply stops are closed. B. Handle is in the closed position. C. The hot and/or cold supply hose is kinked. D. The outlet hose is kinked. E. Battery power is low or exhausted. F. One or more screens are clogged. 	<ul style="list-style-type: none"> A. Confirm the supply stops are open. B. Rotate the handle to the open position. Refer to the "Operation Instruction" section. C. Confirm the supply hoses are not kinked. If coiled, maintain an inside diameter of minimum Ø76mm. D. Confirm the mounting bracket is installed according to the requirements. E. Check for a red flashing LED on the valve box. If it flashes red, refer to valve box installation instruction 1441903-2 for batteries replacement. F. Refer to the "Care and maintenance" section.
2. Low water flow.	<ul style="list-style-type: none"> A. The supply stops are partially closed. B. Handle is partially closed. C. The hot and/or cold supply hose is kinked or twisted. D. The outlet hose is kinked. E. One or more screens are clogged. F. Cracked diaphragm. 	<ul style="list-style-type: none"> A. Confirm the supply stops are fully open. B. Rotate the handle to the full open position. C. Confirm the supply hoses are not kinked or twisted. If coiled, maintain an inside diameter of minimum Ø76mm. D. Confirm the mounting bracket is installed according to the requirements. E. Refer to the "Care and maintenance" section. F. Replace the valve box assembly.
3. Poor aerator.	<ul style="list-style-type: none"> A. The aerator is clogged. 	<ul style="list-style-type: none"> A. Remove the aerator and rinse with water to dislodge debris.
4. Water drip or trickle when faucet is nonuse.	<ul style="list-style-type: none"> A. Manual override is partially engaged. 	<ul style="list-style-type: none"> A. Turn the manual override stem clockwise until it stops with coin; then turn it counter-clockwise until the water drip stops.

INSTALLATION CHECKOUT



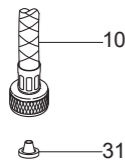
- Ensure that all connections are tight.
 - Ensure that the lever handle is in the off position.
 - Turn on the main water supplies and drain.
 - Check all connections for leaks. Repair as needed.
 - Remove the aerator. Turn on the faucet, run hot and cold water about one minute to remove any debris. Remove any debris from the aerator. Shut off the faucet. Reinstall the aerator.
- NOTE:** Ensure the weight will not interfere with hose or cable. Adjust it if needed.

CARE AND MAINTENANCE



How to Clean the Drain

- Turn counter-clockwise the stopper(15). Remove and clear the screen washer(16).
- Reinstall the screen washer and stopper.



How to Clean the Inlet Screen of the Valve Box

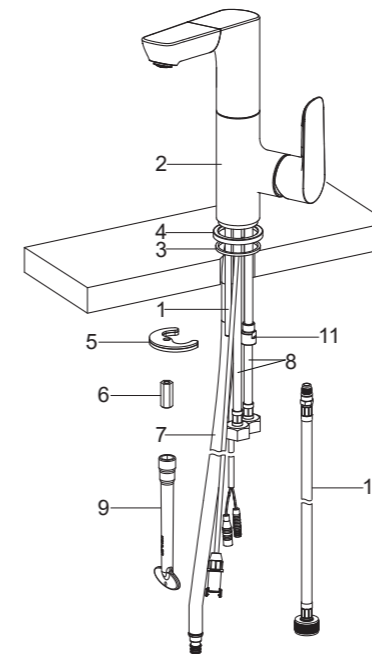
- Turn the handle to the closed position.
- Disconnect the outlet hose(10) from the valve box(27).
- Remove and clean the inlet screen(31) from inside the valve box.
- Reinstall the inlet screen and reconnect the outlet hose.

CLEANING INSTRUCTIONS

All Finishes: Clean the finish with mild soap and warm water. Wipe entire surface completely dry with clean soft cloth. Many cleaners may contain chemicals, such as ammonia, chlorine, toilet cleaner etc. which could adversely affect the finish and are not recommended for cleaning.

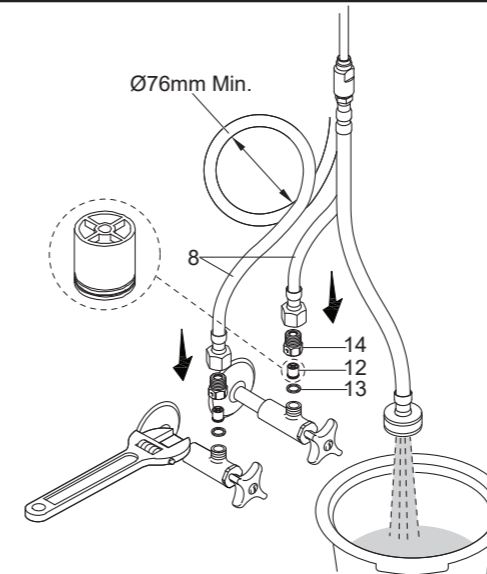
Do not use abrasive cleaners or solvents on Kohler faucets and fittings.

INSTALLATION



How to Install the Faucet

- Install the mounting stud(1) into the faucet body(2) base.
 - Put the washer(3) into the groove of the escutcheon(4). Install the escutcheon onto the bottom of the faucet body.
 - Insert the faucet assembly into the mounting hole. Ensure the bottom of the escutcheon is against the deck.
 - From underside, place the washers(5, rubber washer is on the top) and nut(6) onto the mounting stud.
- NOTE:** Keep a certain space between the washers(5) and pull-out hose(7), avoid affecting the pulling and damaging the hose.
- Position the faucet so that the pull-out hose is on the left, the pull-out hose and two hoses(8) are symmetrical. Pre-install the nut with tool(9). Connect the outlet hose(10) to the joint(11).

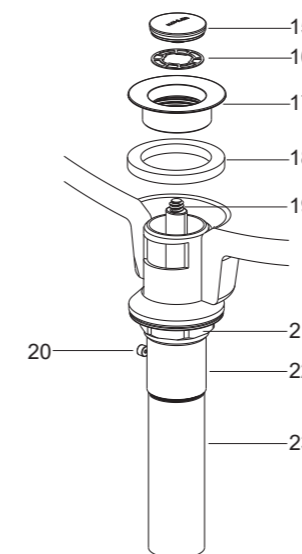


How to Connect the Hoses

- Put the check valves(12, keep the end with O-ring downward as shown), washers(13) into the nuts(14), and then tighten the nuts onto the supply stops. Tighten the supply hoses(8) onto the nuts. The hose with "COLD" label should be connected to cold water. The hose without label should be connected to hot water.

- Open hot and cold water supplies. Turn on faucet. Flush hot and cold water for about one minute to remove any debris. Shut off faucet and water supplies.

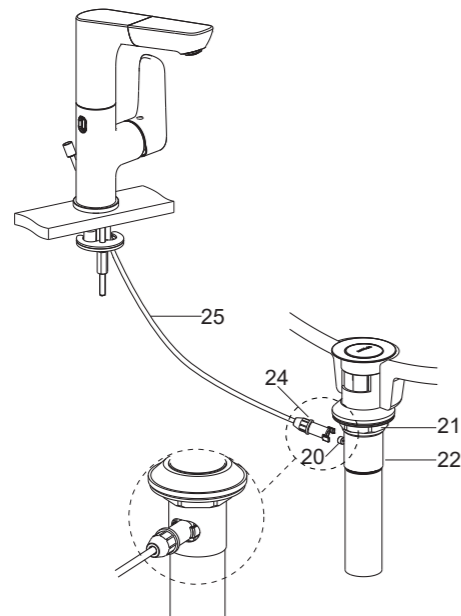
NOTE: Supply hoses must not be taut, kinked, or twisted during installation. If the supply hoses must be coiled, maintain an inside diameter of minimum Ø76mm.



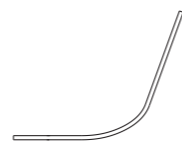
How to Install the Drain

- Remove the stopper(15), flange(17) and washer(18) from the drain body(22). Take off the tailpiece(23). Apply thread tape to tailpiece and install the tailpiece to the drain body.
- Insert the drain body kit into the lavatory from underside, and make sure the magnetic snap(20) in the drain facing to the back of the lavatory.
- Screw the flange(17) with washer(18) into the drain body. Be sure that the magnetic snap points to the back of the lavatory, tighten the locknut(21) on the drain body with wrench. Put the filter(16) into the flange.
- Screw the stopper(15) on the piston kit(19).

NOTE: If needed, apply a ring of plumbers putty around the underside of the drain flange(17), instead of using washer(18).



Wrong Wiring

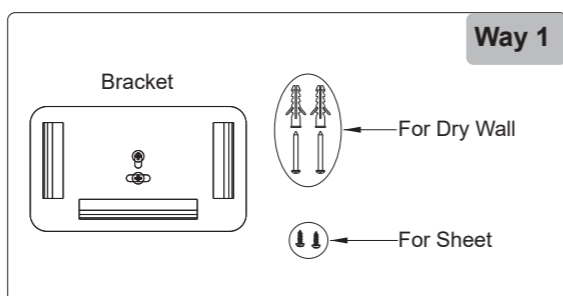
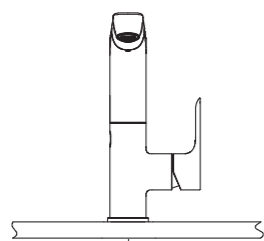


Correct Wiring

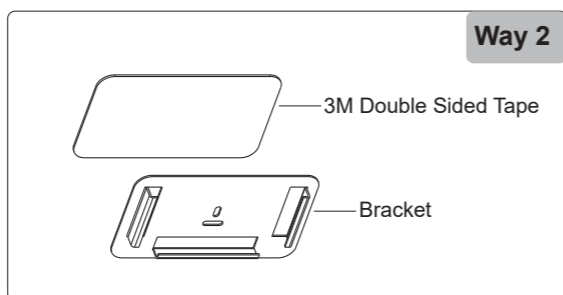
□ Install the cable end(24) into the magnetic snap(20), ensure the buckle is locked.

NOTE: Do not reposition the drain if plumbers putty applied after the locknut is tightened, or you may break the putty seal. Wipe away excess plumbers putty.

□ After the installation, please check if the cable(25) is connected properly. Do not overbend or twine the cable as shown.



Way 1



Way 2

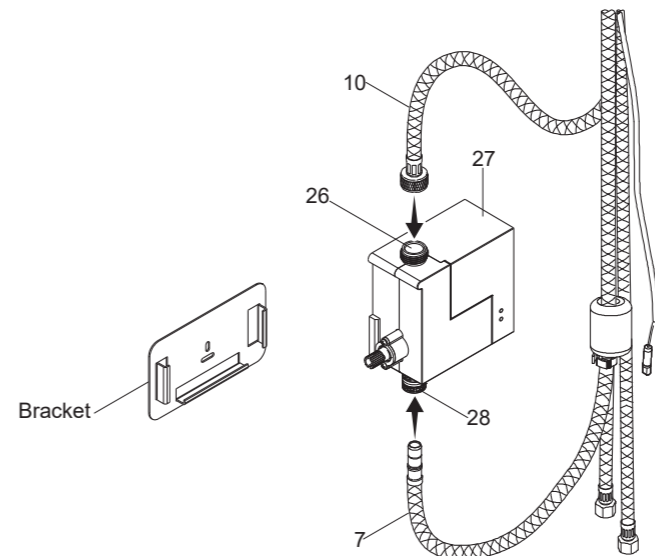
How to Install the Bracket

NOTE: 1) The bracket must be installed horizontally. 2) Allow adequate clearance for servicing.

□ Way 1: Secure the bracket with the provided mounting screws.

□ Way 2: Only apply for flat and smooth walls.

- 1) Clean the bracket backside and installed location of the wall. Be sure to remove oil, water and dust.
- 2) After the surface is dry, tear off one paper of the 3M double sided tape, stick it on the bracket backside, and press it evenly for a while after bonding.
- 3) Tear off another paper of the 3M double sided tape. Ensure the bracket is horizontal and in the right place, and then paste it onto the wall and press it firmly.

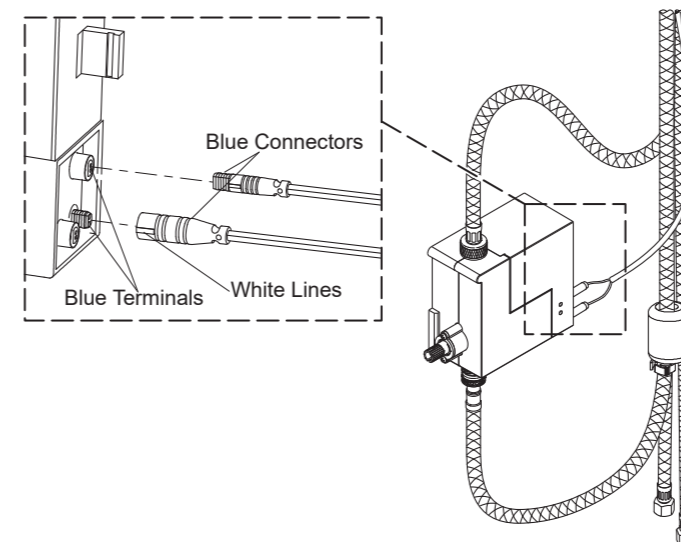


How to Install the Valve Box

IMPORTANT! Risk of restricted waterflow. The outlet hose(10) must not be taut or kinked when installed.

NOTE: Tighten the outlet hose connector by hand. Do not use a pliers or a wrench.

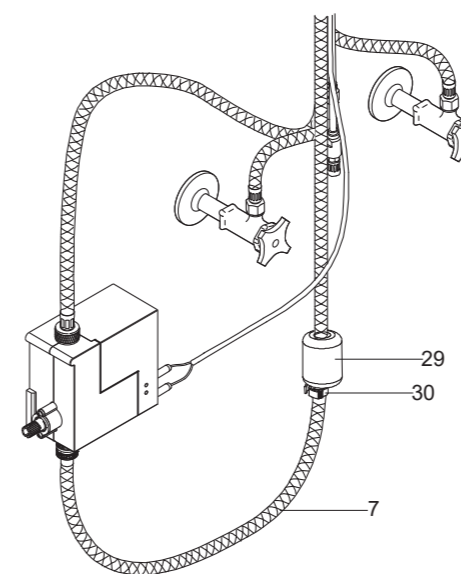
- Thread the outlet hose onto the valve inlet(26).
- Slide the valve box(27) into the mounted bracket.
- Connect the spray hose(7) to the valve box outlet (28). It will click into place when the connection is secure.



How to Connect the Wires

□ Connect the blue connectors to the blue terminals on the valve box. The white lines on the connectors should face the front of the valve box.

NOTE: After all wires of the valve box are connected, it will take 15 seconds to start working.



How to Install the Hose Weight

NOTE: Make sure the spray hose weight(29) will not interfere with the valve box or wire connections.

- Loosely attach the weight to the spray hose(7).
- Adjust the weight to the appropriate position.
- Secure the spray hose weight in place by tightening the clip(30) with a pliers.
- Extend and retract the spray hose to check for smooth operation. After the hose working smoothly, tighten the nut(6) to secure the faucet with tool(9).