

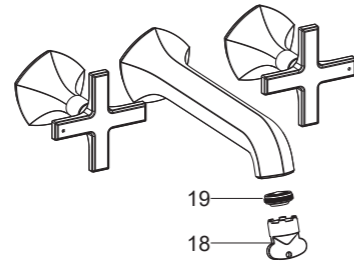
## 安装结果检查

检查并确保所有衔接螺母都已拧紧，确保把手在关闭位置。

打开主供水源，检查是否有漏水。如有漏水，修理之。

用起泡器工具(18)拆下起泡器(19)。打开水龙头冷热水，让水流出约一分钟以清除杂质，检查渗漏。

冲洗起泡器，关闭水龙头，重新装回起泡器。



## INSTALLATION CHECKOUT

Ensure all connections are tight. Ensure the handles are in the off position.

Turn on the main water supply, and check for leaks. Repair as needed.

Remove the aerator(18) with key(19). Turn on the faucet. Run hot and cold water through the spout for about one minute to remove any debris. Check for leaks.

Remove any debris from the aerator. Shut off the faucet. Reinstall the aerator.

## 清洗说明

适用于所有加工处理过的表面：以中性肥皂水清洗镀层表面，再以干净的软布彻底擦干整个表面，许多清洁剂，比如氨水、去污粉及洁厕灵等，会对电镀表面造成伤害，切忌使用。

有磨损性的清洁用具或清洁剂也不可用于科勒牌的水龙头及其配件上。

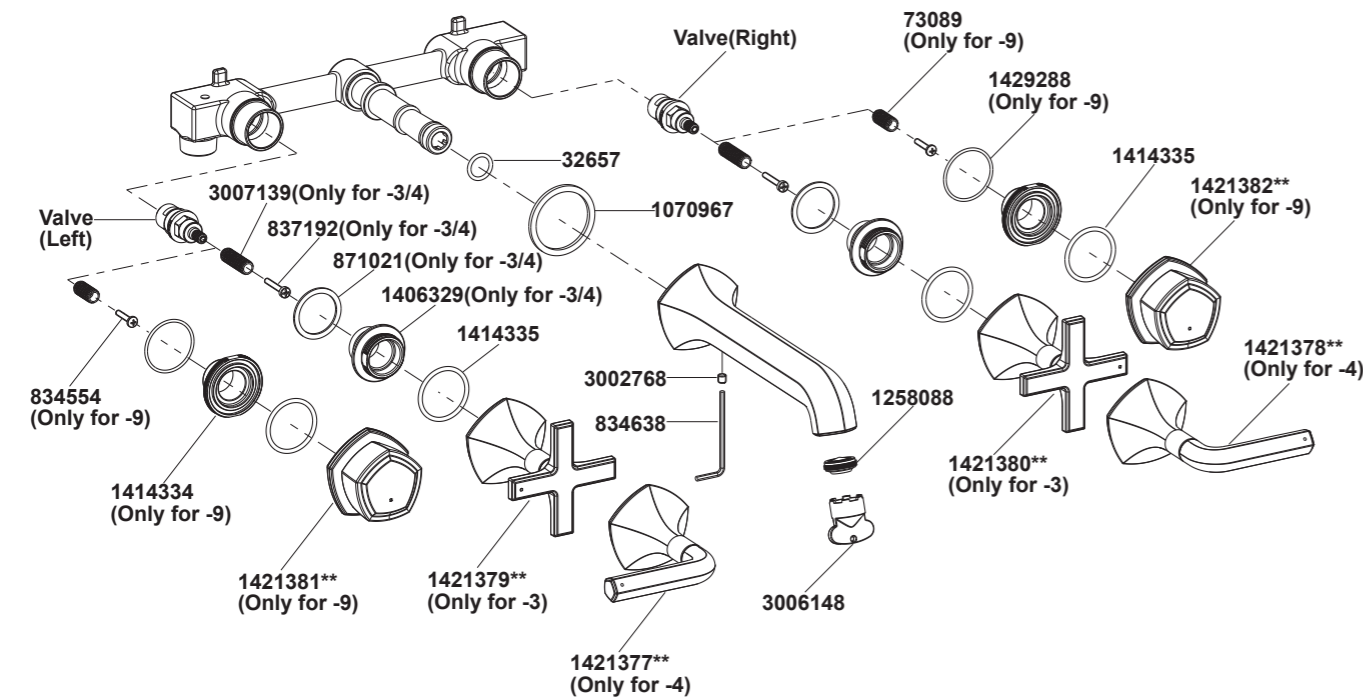
## CLEANING INSTRUCTIONS

All Finishes: Clean the finish with mild soap and warm water. Wipe entire surface completely dry with clean soft cloth. Many cleaners may contain chemicals, such as ammonia, chlorine, toilet cleaner etc. which could adversely affect the finish and are not recommended for cleaning.

Do not use abrasive cleaners or solvents on Kohler faucets and fittings.

## 零件图

## SERVICE PARTS



SKU	EX27125T-3	EX27125T-4	EX27125T-9
Valve(Left)	835750	837206	835750
Valve(Right)	835749	837207	835749

\*\*订购时请说明颜色编号

\*\*Color code must be specified when ordering

# KOHLER®

## INSTALLATION INSTRUCTIONS

### 安装说明书

# 凯诗

## OCCASION

### Dual Handles Wall Mount Bath Faucet

- EX27125T-3** 双把墙出水浴缸龙头(直杆型出水嘴, 十字型把手)
- EX27125T-4** 双把墙出水浴缸龙头(直杆型出水嘴, 杆型把手)
- EX27125T-9** 双把墙出水浴缸龙头(直杆型出水嘴, 柱型把手)

## 安装之前

所有的资料是按最新出版的产品资料编写而成。科勒公司保留任何时候不经通知即可改变产品特性、包装或产品可供类型的权利。

说明书包括重要的安装、保养及清洁方面的内容，请把这些资料交给用户阅读。

### 注意事项：

- 一定要先彻底冲洗供水管以清除管道中的杂质。
- 检查供水管有无损坏漏水。如需要，进行替换维修。
- 切断供水管路。
- 遵守当地管路安装条例。
- 埋墙前测试安装连接部位是否有渗漏，根据需要修理之。
- 本产品只接受水压测试，并且测试前需先排空管路龙头间的空气。测试水压不超过0.8MPa(8bar)，时间不超过30分钟。
- 在说明书所指示的恰当时候，拿掉保护套。

## BEFORE YOU BEGIN

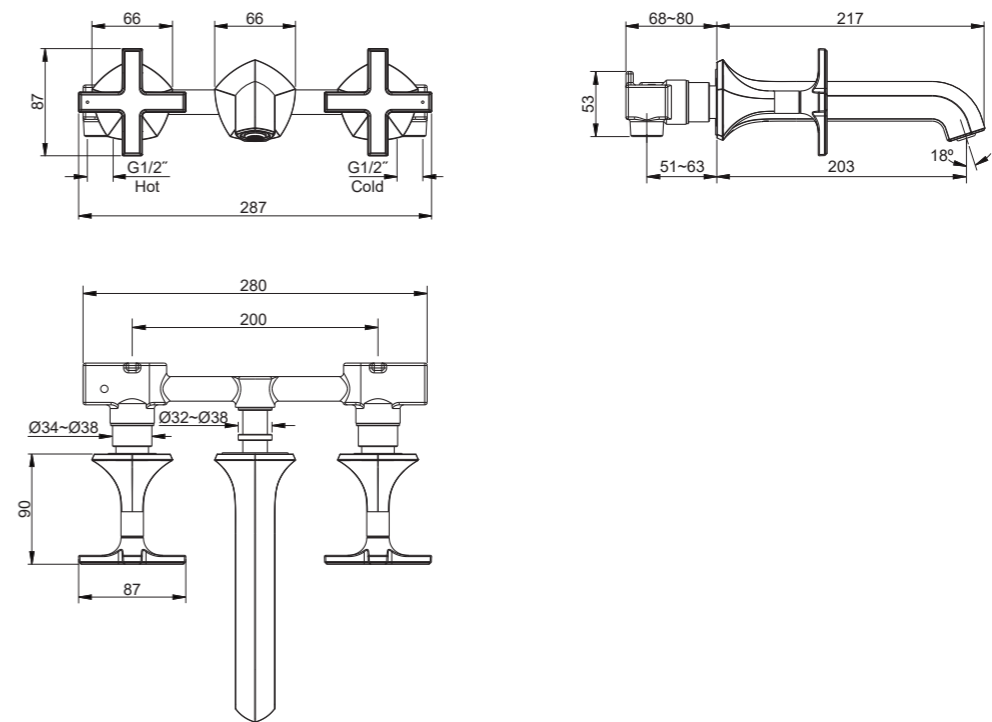
All information is based on the latest product information available at the time of publication. Kohler Co. reserves the right to make changes in product characteristics, packaging, or availability at any time without notice. Please leave these instructions for the consumer. They contain important information.

### NOTES:

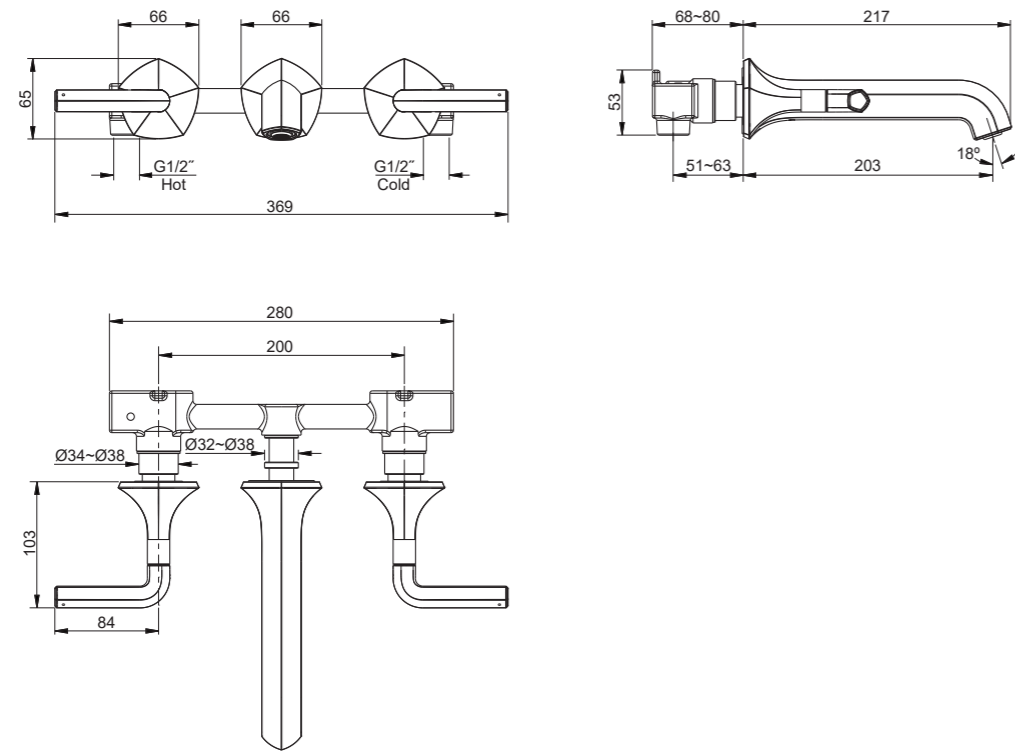
- Flush the water supply pipes thoroughly to remove debris.
- Inspect the supply tubing for damage and leakage. Replace and maintain as necessary.
- Shut off the water supplies to the fitting.
- Observe local plumbing codes.
- Check for leaks before covering the pipes, repair as needed.
- Please ensure only apply water pressure test on the product, and empty the air in pipe and faucet thoroughly before the test. Please ensure test pressure below 0.8MPa(8bar) and test duration within 30 minutes.
- Do not remove the protectors until instructed to.

## 安装尺寸

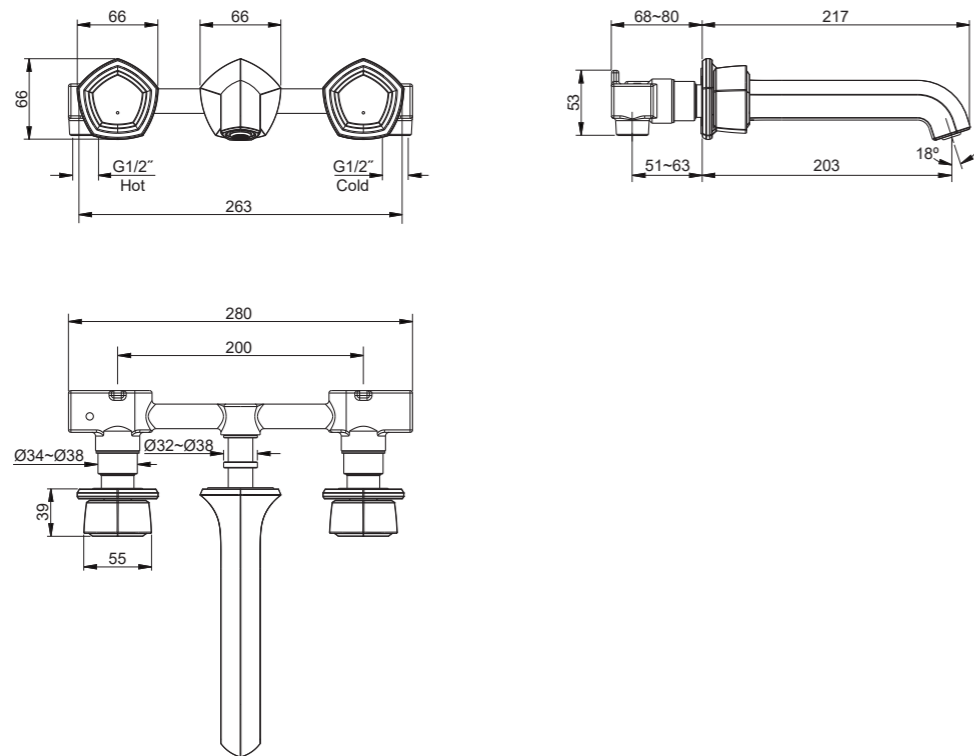
## ROUGH-IN DIMENSIONS



EX27125T-3



EX27125T-4



EX27125T-9

### 使用说明

对于杆型把手-4, 逆时针旋转左把手为热水, 顺时针旋转右把手为冷水。

对于十字型和柱型把手-3/9, 顺时针旋转左把手为热水, 逆时针旋转右把手为冷水。

### HANDLE OPERATION

For lever handle -4, turn the left handle counter-clockwise for hot water, right handle clockwise for cold water.

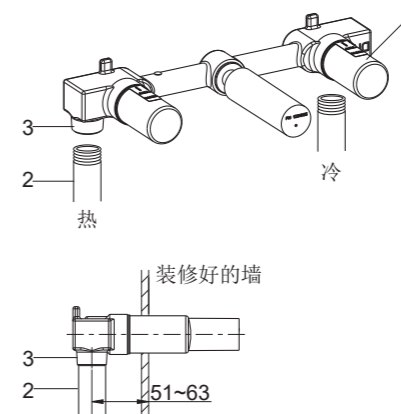
For cross/knob handle -3/9, turn the left handle clockwise for hot water, right handle counter-clockwise for cold water.

### 安装步骤

#### 如何安装混合栓

选择合适高度安装混合栓。在墙上开一合适的孔。将混合栓埋入墙体, 确保保护套(1)朝前。切勿在此时将保护套移去。

分别连接螺纹为G1/2"的冷热供水管(2)至混合栓左右进水处(3)。供水管路中心线与装修好的墙面之间的距离应为51mm至63mm。贴红点一侧朝左, 安装热水管。装修好的外墙面应处于保护套上的MAX与MIN标记之间。



### INSTALLATION

#### How to Install the Yoke

Determine where the yoke will be located on the wall. Dig a suitable hole in the wall. Install the yoke into the hole. Make sure the protectors(1) faces front. Do not take off the protectors at this moment.

Connect the G1/2" water supply pipes(2) to the water inlets(3). Keep the distance from centerline of the water supplies to the finished surface must be between 51mm and 63mm. Ensure the left supply pipe is hot supply and connected to the end with red mark. The out surface of the finished wall should be between the MAX and MIN marks on the protectors.

#### 如何安装把手

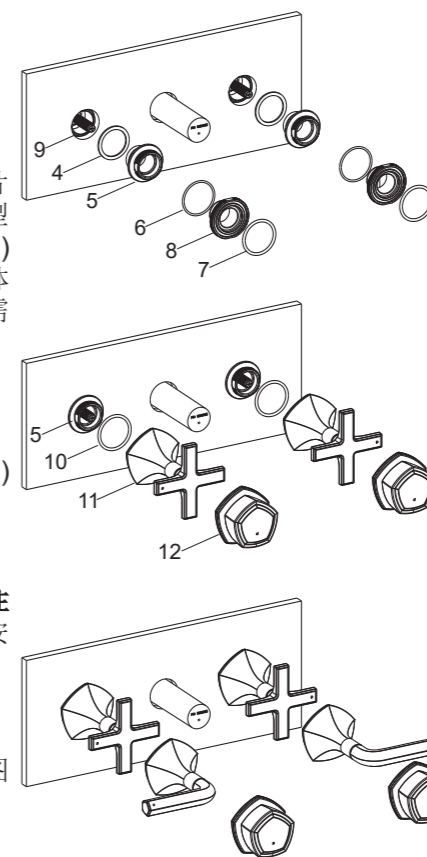
墙壁装修好后, 将阀体的保护套扔掉。

对于十字型和杆型把手, 将橡胶垫片(4)装到螺母(5)底部凹槽中; 对于柱型把手, 将O型圈(6, 7)分别装到螺母(8)顶部和底部凹槽中。将螺母旋到阀体(9)上并贴紧墙壁。**注意:** 埋墙浅时需拆下螺钉及齿杆。

对于十字型和杆型把手, 将O型圈(10)装入把手组件(11)底部凹槽中。

将把手组件(11或12)安装到螺母上。**注意:** 有红色标记的把手组件装左侧且安装之前阀芯处于关闭状态。

阀芯处于关闭位置时, 把手的状态如图所示。



#### How to Install the Handles

Remove the handle protectors after completing the finished wall.

For cross/lever handle, put the rubber washer(4) into the bottom groove of the nut(5). For knob handle, put the O-rings(6, 7) into the top and bottom grooves of the nut(8). Screw the nut onto the valve(9) until it is against the finished wall. **NOTE:** Uninstall the screw and extension if the recessed depth is shallow.

For cross/lever handle, put the O-ring(10) into the bottom groove of the handle kit(11).

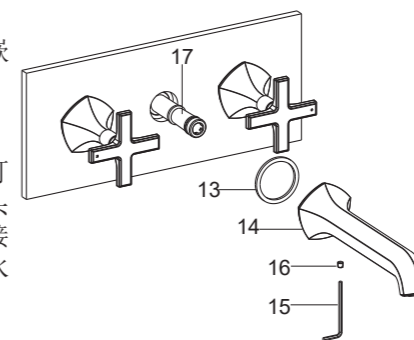
Install the handle kit(11 or 12) onto the nut with the valves closed. **NOTE:** The handle kit with red mark should be installed on the left side.

The figures show the correct position of the handles when the installation is completed.

#### 如何安装出水嘴

将出水嘴的保护套扔掉。将垫片(13)嵌入到出水嘴(14)底部凹槽中。

用六角扳手(15)旋松出水嘴内的螺钉(16)。将出水嘴出口朝下安装到接头(17)上并紧贴墙壁。**注意:** 不要划伤接头上的O型圈。锁紧螺钉以固定出水嘴。



#### How to Install the Spout

Remove the spout protector. Insert the washer(13) into the bottom groove of the spout(14).

Loosen the screw(16) in the spout kit with hex wrench(15). Install the spout kit onto the connector(17) with the spout outlet downwards until it is against the finished wall. **NOTE:** Don't damage the O-ring on the connector. Tighten the screw to secure the spout kit.