

EX27024T 浴缸出水口

安装之前

所有的资料是按最新出版的产品资料编写而成。科勒公司保留任何时候不经通知即可改变产品特性、包装或产品可供类型的权利。

说明书包括重要的安装、保养及清洁方面的内容，请把这些资料交给用户阅读。

注意事项：

1. 一定要先彻底冲洗供水管以清除管道中的杂质。
2. 切断供水管路。
3. 遵守所有当地管路安装及建筑条例。

BEFORE YOU BEGIN

All information is based on the latest product information available at the time of publication. Kohler Co. reserves the right to make changes in product characteristics, packaging, or availability at any time without notice.

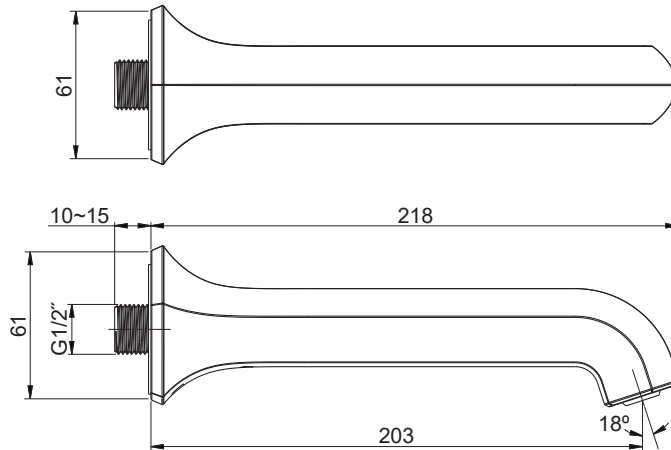
Please leave these instructions for the consumer. They contain important information.

NOTES:

1. Flush the water supply pipes thoroughly to remove any debris.
2. Shut off the water supplies to the fitting.
3. Observe all local plumbing and building codes.

安装尺寸

ROUGH-IN DIMENSIONS

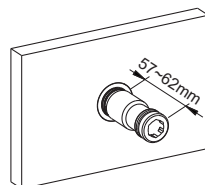
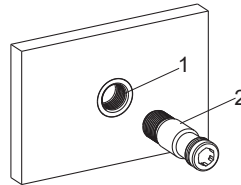


安装步骤

为使安装顺利，G1/2"内螺纹管道配件(1，客户自备)应已装好。管道配件要垂直且不能突出装修好的墙面。

彻底冲洗供水管以清除管道中的杂质。

在接头(2)螺纹上缠绕足以密封的密封胶。将接头旋进管道配件，使接头露出墙外的长度在57~62mm之间。



INSTALLATION

To perform installation, installer must provide G1/2" female supply fitting(1, not provided). The supply fitting should be vertical and not beyond the finished wall.

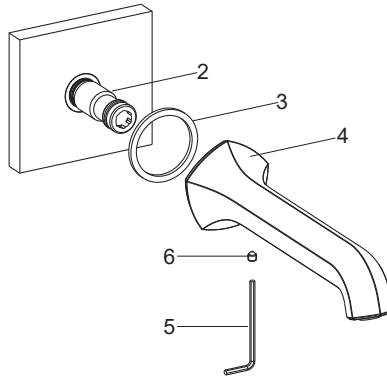
Flush the water supply pipes thoroughly to remove any debris.

Use appropriate thread sealants on the threads of the connector(2). Install the connector into supply fitting until it extends 57~62mm beyond the finished wall.

将垫片(3)嵌入到出水口(4)底部凹槽中。

用六角扳手(5)旋松出水口内的螺钉(6)。将出水口出口朝下安装到接头(2)上并紧贴墙壁。**注意：**不要划伤接头上的O型圈。

锁紧螺钉以固定出水口。



Insert the washer(3) into the bottom groove of the spout(4).

Loosen the screw(6) in the spout kit with hex wrench(5). Install the spout kit to the connector(2) with the spout outlet downward until it is against the finished wall. **NOTE:** Don't damage the O-ring on connector.

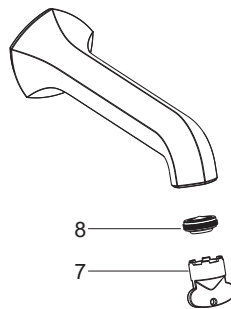
Tighten the screw to secure the spout kit.

安装结果检查

检查并确保所有衔接螺母都已拧紧，打开主供水源，检查是否有漏水。如有漏水，修理之。

用起泡器工具(7)拆下起泡器(8)。打开水龙头冷热水，让水流出约一分钟以清除杂质，检查渗漏。

冲洗起泡器，关闭水源，重新装回起泡器。



INSTALLATION CHECKOUT

Ensure that all connections are tight. Turn on the main water supply, and check for leaks. Repair as needed.

Remove the aerator(8) with key(7). Run hot and cold water through spout for about one minute to remove any debris. Check for leaks.

Remove any debris from aerator. Turn off water supply. Reinstall the aerator.

清洗说明

适用于所有加工处理过的表面：以中性肥皂温水清洗镀层表面，再以干净的软布彻底擦干整个表面。许多清洁剂，比如氨水、去污粉及洁厕灵等，会对电镀表面造成伤害而不宜使用。

有腐蚀性的清洁剂或溶剂也不可适用于科勒牌的水龙头及其附件上。

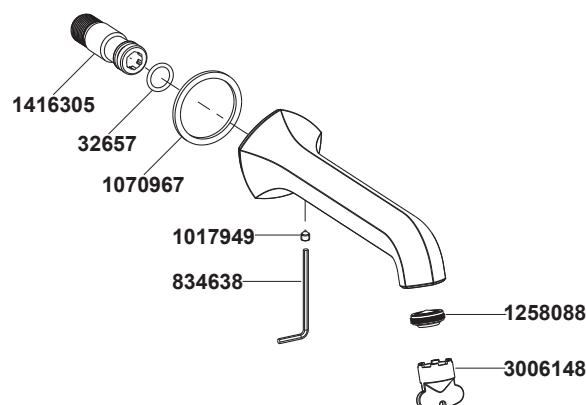
CLEANING INSTRUCTIONS

All Finishes: Clean the finish with mild soap and warm water. Wipe entire surface completely dry with clean soft cloth. Many cleaners may contain chemicals, such as ammonia, chlorine, toilet cleaner etc. which could adversely affect the finish and are not recommended for cleaning.

Do not use abrasive cleaners or solvents on Kohler faucets and fittings.

零件图

SERVICE PARTS



**订购时请说明颜色编号

**Color code must be specified when ordering