

### Features

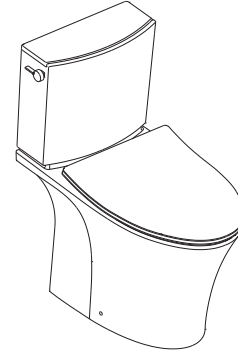
- Vitreous china
- Elongated bowl
- Non back to wall
- Includes wrapped seat or double injection slim seat or slim seat
- Includes polished chrome trip lever
- Wash Down Flushing system
- Dual flush 3/6 liter per flush
- 185 mm rough-in for P-trap
- 680 x 380 x 752 mm

### Codes/Standards Applicable

Specified model meets or exceeds the following:

- BS:EN 997
- TIS 792
- MS 1522
- ASME A112.19.2/CSA B45.1

## TWO-PIECE TOILET WITH SEAT K-23627H ALSO K-23628H/23629H



### Technical Information

Fixture:	
Configuration	two-piece, elongated
Water per flush	3/6 liter
Passageway	51 mm
Water area	127 x 102 mm
Water depth from rim	225 mm
Seat post hole centers	140 mm

Included Components:	
Bowl	K-23634H
Tank	K-23633H
Tank cover	1369030
Slim seat (for K-23627H) or Double injection seat (for K-23628H) or Wrapped seat (for K-23629H)	K-77471K K-77070K K-5574K
P-Trap connector assy	1138552

### Specified Model

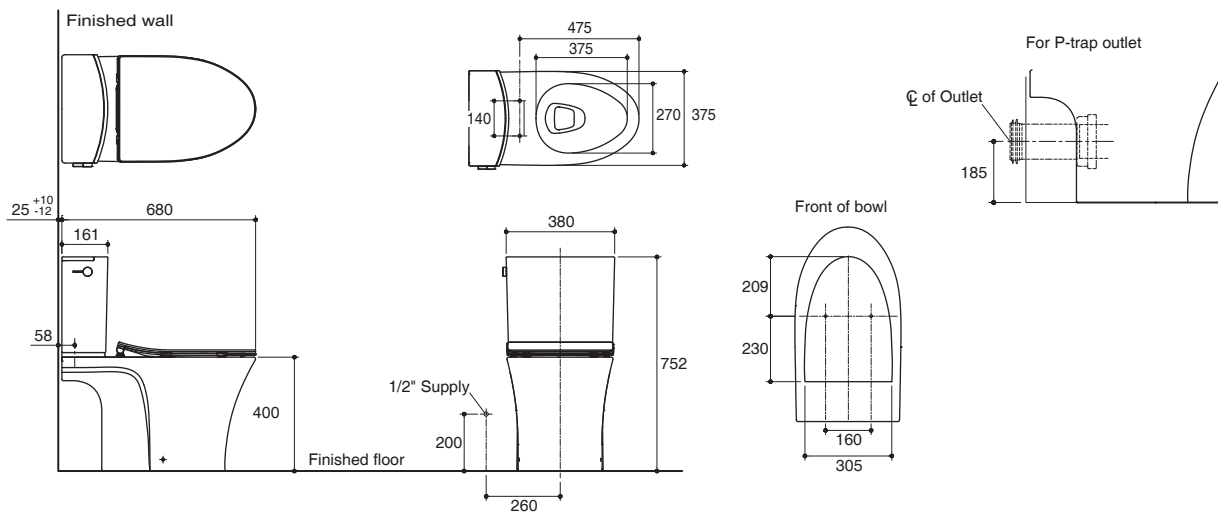
Model	Description	Color/Finished
K-23627H	Veil two-piece toilet, P-trap with slim seat	0: White
K-23628H	Veil two-piece toilet, P-trap with double injection slim seat	0: White
K-23629H	Veil two-piece toilet, P-trap with wrapped seat	0: White

### Installation Notes

Install this product according to the installation guide.

Required Accessories		Color/Finished
1065832	Water supply hose, stainless	CP: Polished Chrome
1265885-SP	Shut off valve	CP: Polished Chrome

Dimensions are approximate.  
Unit: mm



Note: The recommended dimension for installation can be adjusted according to user preferences and layout. Kohler Co. reserves the right to make changes in product characteristics, packaging, or availability at anytime without notice.

### Product Diagram