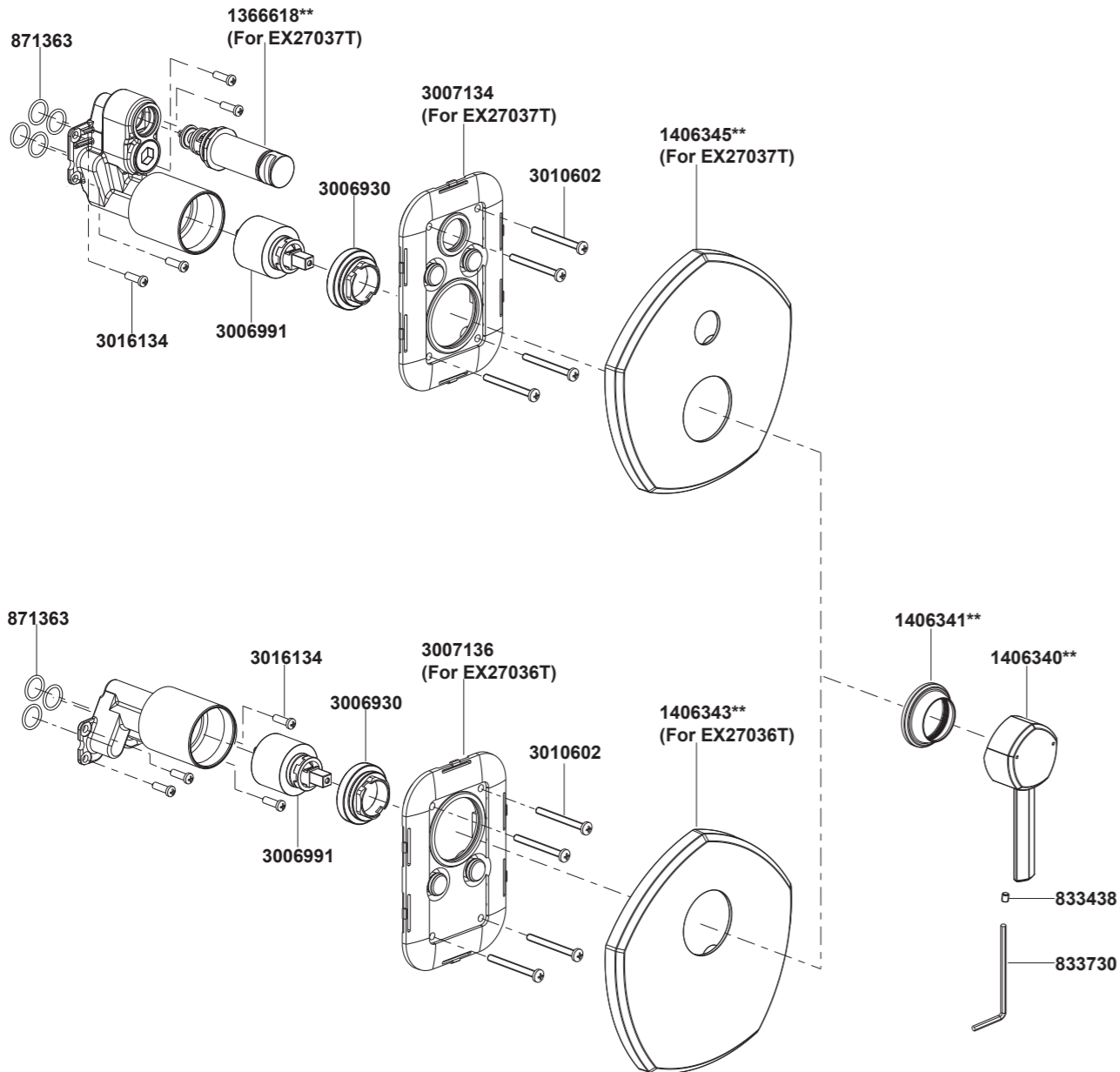


- EX27036T-4 入墙式花洒阀芯及面板 - 凯诗杆型把手
- EX27037T-4 入墙式浴缸花洒阀芯及面板 - 凯诗杆型把手



**订购时请说明颜色编号
**Color code must be specified when ordering

- EX27036T-4 入墙式花洒阀芯及面板 - 凯诗杆型把手
- EX27037T-4 入墙式浴缸花洒阀芯及面板 - 凯诗杆型把手

安装之前

所有的资料是按最新出版的产品资料编写而成。科勒公司保留任何时候不经通知即可改变产品特性、包装或产品可供类型的权利。

说明书包括重要的安装、保养及清洁方面的内容，请把这些资料交给用户阅读。

注意事项:

1. 一定要先彻底冲洗供水管以清除管道中的杂质。
2. 检查供水管有无损坏和漏水。如需要，进行替换和维修。
3. 遵守当地管路安装条例。切断主供水源。
4. 埋墙前测试安装连接部位是否有渗漏，根据需要修理之。
5. 本产品只接受水压测试，且测试前需先排空管路及龙头之间的空气。测试水压不超过0.8MPa，时间不超过30分钟。

BEFORE YOU BEGIN

All information is based on the latest product information available at the time of publication. Kohler Co. reserves the right to make changes in product characteristics, packaging, or availability at any time without notice.

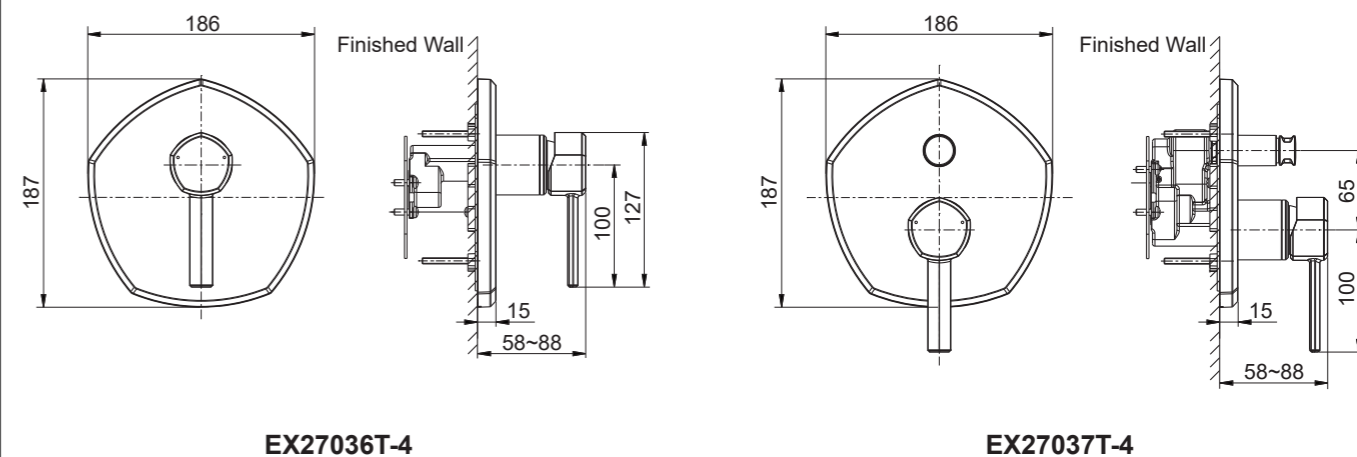
Please leave these instructions for the consumer. They contain important information.

NOTES:

1. Flush the water supply pipes thoroughly to remove debris.
2. Inspect the supply tubing for damage and leakage. Replace and maintain as necessary.
3. Observe local plumbing codes. Shut off the main water supply.
4. Check for leaks before covering the pipes, repair as needed.
5. Please ensure only apply water pressure test on the product, and empty the air in pipe and faucet thoroughly before the test. Please ensure test pressure below 0.8MPa and test duration within 30 minutes.

安装尺寸

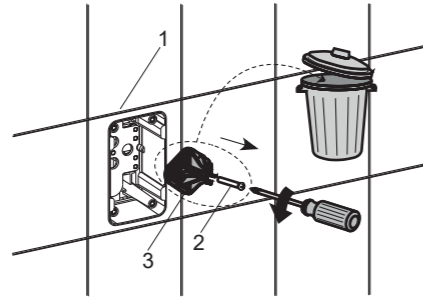
ROUGH-IN DIMENSIONS



安装步骤

注意： 参照98699T-B-NA安装尺寸安装安装盒(1)。

待墙面装修好后，切掉安装盒凸出墙面的部分，用螺丝刀旋松螺钉(2)，将保护组件(3)取下。



INSTALLATION

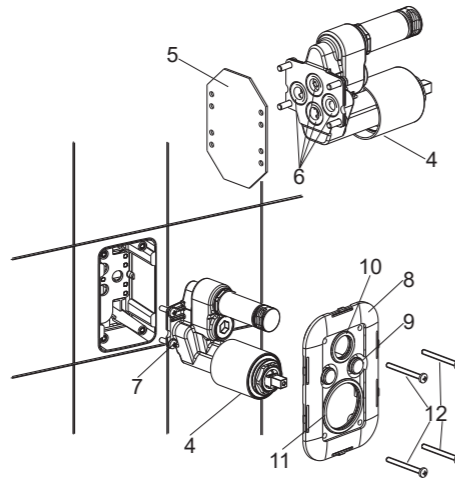
NOTE: Install the mounting box kit(1) according to the rough-in dimensions of 98699T-B-NA.

Cut the protrudent part of the mounting box kit out of the finished wall. Unscrew the screw(2), remove the protect cover kit(3).

取下阀体组件(4)底部的保护板(5)，**注意：**不要弄丢底部O型圈(6)。

阀体底部各孔对准安装盒底部各孔，将阀体装入安装盒，锁紧螺钉(7)。

将安装盘组件(8)套入阀体，凸起(9)朝外(**注意：**勿将环10, 11挤出)，将其后推直至与墙面接触。用螺钉(12, 长50mm)固定安装盘组件。



Remove the protection(5) on the valve kit(4). **NOTE:** Don't drop the O-rings(6).

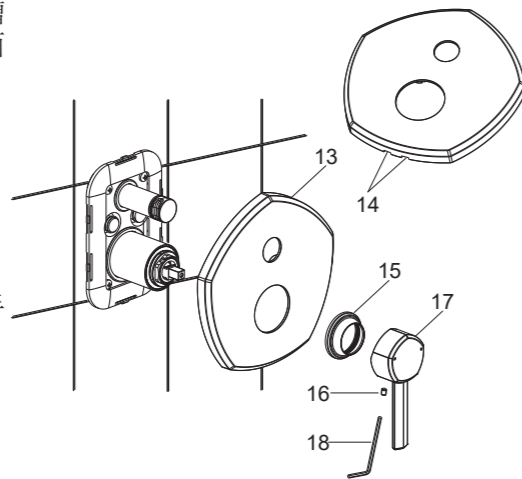
The holes on the bottom of the valve kit should be aligned with the holes in the mounting box. Install the valve kit into the mounting box kit, tighten the screws(7).

Slide the cover kit(8) onto the valve with the plugs(9) facing outside (**NOTE:** Don't squeeze out the rings 10, 11). Push it until it is against the wall. Secure it with the screws(12).

将面板(13)套在阀体上，使开槽(14)向下。将其后推直至与墙面接触。

将阀帽(15)旋紧到阀体上。

将螺钉(16)预装到把手(17)上。将把手装到阀柄上，用六角扳手(18)锁紧螺钉以固定把手。

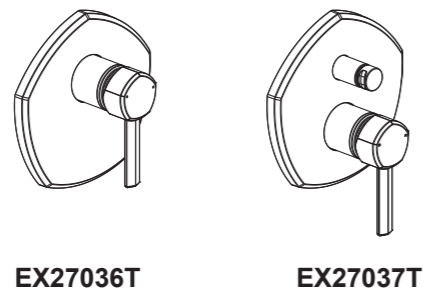


Slide the faceplate(13) onto the valve with slots(14) downwards. Push it until it is against the wall.

Secure the bonnet(15) on the valve.

Put the screw(16) into the handle (17). Install the handle on the valve stem. Tighten the screw from the bottom hole of sleeve to secure the handle with hex wrench(18).

把手安装后的状态如图所示。



The illustrations shown is the correct position of the handles in the off position.

安装结果检查

检查并确保所有的衔接处都已拧紧。

确保把手在关闭位置。

打开排水系统和主要供水源，检查并修理有漏水的接口。

清洗说明

适用于所有加工处理过的表面：以中性肥皂水清洗镀层表面，再以干净的软布彻底擦干整个表面，许多清洁剂，比如氨水、去污粉及洁厕灵等，会对电镀表面造成伤害，切忌使用。

有磨损性的清洁用具或清洁剂也不可适用于科勒牌的水龙头及其配件上。

INSTALLATION CHECKOUT

Ensure that all coupling nuts are tight.

Ensure that the handle is in the off position.

Turn on the main water supply, and check for leaks. Repair as needed.

CLEANING INSTRUCTIONS

All Finishes: Clean the finish with mild soap and warm water. Wipe entire surface completely dry with clean soft cloth. Many cleaners may contain chemicals, such as ammonia, chlorine, toilet cleaner etc. which could adversely affect the finish and are not recommended for cleaning.

Do not use abrasive cleaners or solvents on Kohler faucets and fittings.