

# Installation Instructions

## Four-Port / Six-Port Digital Valve

Record your model number:  
Noter le numéro de modèle:  
Anoté su número de modelo: \_\_\_\_\_

Français, page 20  
Español, página 40

**KOHLER®**

# Thank You for Choosing KOHLER

---

Need help? Contact our Customer Care Center.

- USA/Canada: 1-800-4KOHLER (1-800-456-4537) Mexico: 001-800-456-4537
- Service parts: [kohler.com/serviceparts](http://kohler.com/serviceparts)
- Care and cleaning: [kohler.com/clean](http://kohler.com/clean)
- Patents: [kohlercompany.com/patents](http://kohlercompany.com/patents)







## Warranty

---

This product is covered under the KOHLER® **Electronic Faucets, Valves, and Controls Five-Year Limited Warranty**, found at [kohler.com/warranty](http://kohler.com/warranty). For a hardcopy of warranty terms, contact the Customer Care Center.

## IMPORTANT INSTRUCTIONS

---

-  **WARNING: When using electrical products, basic precautions should always be followed, including the following:**
-  **DANGER: Risk of electric shock.** Connect only to a circuit protected by a Ground-Fault Circuit-Interrupter (GFCI)\*.
-  **WARNING: Risk of electric shock.** A qualified electrician must route all electrical wiring for the product. Improper installation will create an electrical hazard and may not comply with local building and electrical codes.
-  **WARNING: Risk of electric shock.** Disconnect the power before servicing.
-  **WARNING: Unauthorized modification may cause poor performance.** Do not make modifications to the product other than instructed by this guide, as this could adversely affect product performance.
-  **WARNING: Risk of injury or property damage.** Read all instructions thoroughly before beginning installation.

**NOTICE:** Provide unrestricted service access to the valve. Provide access for servicing the valve, power supply unit, and digital control. This access must be located immediately next to the valve. Refer to the roughing-in information.

Follow all local plumbing and electrical codes.

\*Outside North America, this may be known as a Residual Current Device (RCD).

# Specifications

---

## Pressures

Maximum Static Pressure	145 psi, 1000 kPa, 10 bar
Maximum Dynamic Pressure	125 psi, 860 kPa, 8.6 bar
Supply Pressure Differential*	Max 5 psi, 34 kPa, 0.34 bar (Equal pressures recommended.)
Minimum Flow Rate (less than 72 psi dynamic pressure, 500 kPa maintaining pressure)	0.9 gal/min (3.5 l/min)
Minimum Flow Rate (greater than 72 psi dynamic pressure, 500 kPa maintaining pressure)	1.4 gal/min (5.25 l/min)
Maximum Flow Rate	9.5 gal/min (36 l/min) per outlet, 22.5 gal/min (85 l/min) total at 45 psi, 310 kPa, 3.1 bar

This product is for use with showerheads rated at 0.9 gal/min (3.5 l/min) or higher.

## Temperatures

Programmable Temperature	Max 120°F (49°C), Min 59°F (15°C) <i>Full cold may also be selected.</i>
Default Temperature at Start-up	100°F (38°C)
Cold Inlet Temperature	34°F (1°C) - 80°F (29°C) and 3.6°F (2°C) below programmed outlet temperature
Hot Inlet Temperature	120°F (49°C) - 149°F (65°C)
Temperature Stability at Recommended Supply Conditions	+/- 1.6°F (1°C) at 86°F (30°C) - 118.4°F (48°C)
Ambient Temperature	Greater than 34°F (1°C), Max 122°F (50°C)
Maximum Relative Humidity	95% noncondensing

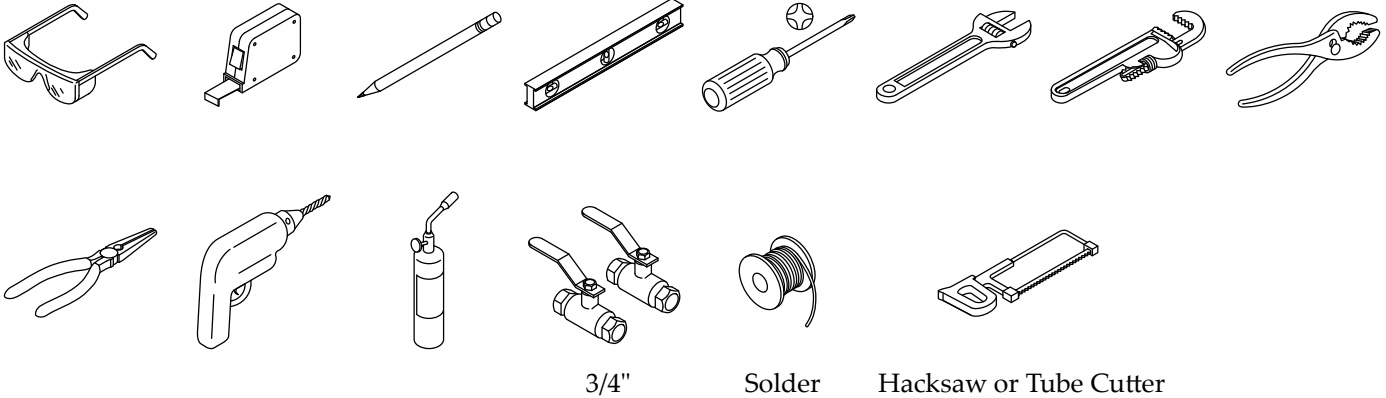
## Electrical

Electrical Rating	120 V, 1.0 A, 60 Hz
-------------------	---------------------

\*Pressure regulators should be installed in commercial applications where there is a large difference in hot and cold supply pressures or frequent fluctuation in either supply line is anticipated.

## Tools and Materials

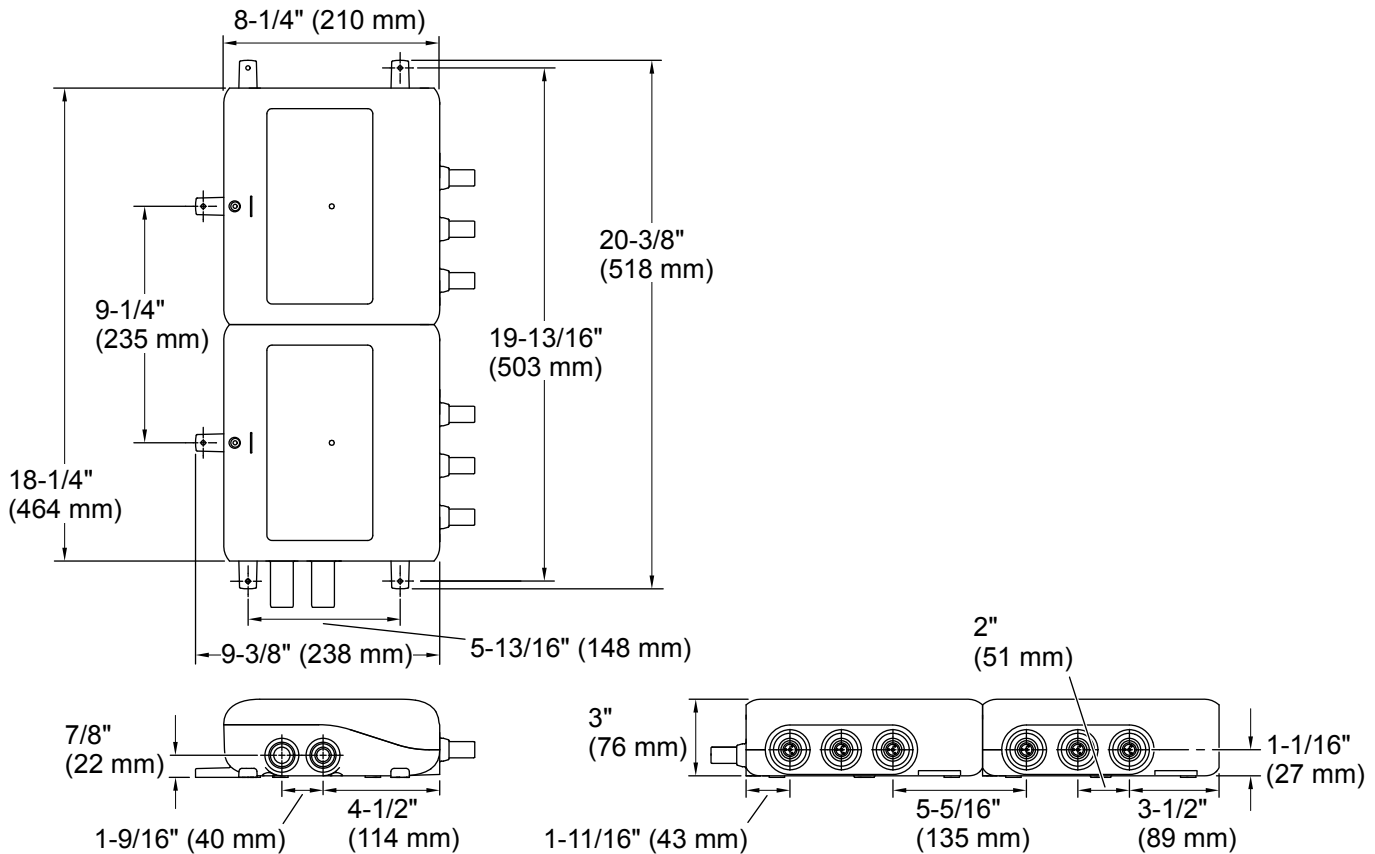
---



**Plus:**

- (2) 3/4" Union Connectors for valve inlets
- Wood and Framing Materials
- Inlet tube size recommended: 3/4" Copper/CPVC or 1" PEX
- Outlet tube recommended depends on port requirement:
  - Less than 5 gal/min: 1/2" copper/CPVC/PEX,
  - Greater than 5 gal/min: 1/2" copper/CPVC or 3/4" PEX

## Before You Begin



**⚠ CAUTION: Risk of product damage.** Do not apply excessive heat near the valve. This valve contains plastic and rubber components that will melt if heat is directly applied.

**NOTICE:** Do not install the valve in any location where the temperature may exceed 122°F (50°C). The valve and the integrated power supply are rated to operate in temperatures up to 122°F (50°C).

**IMPORTANT!** Read these instructions and determine the locations for all required components before beginning installation.

This valve is not intended for single-outlet use unless pairing two outlets for a high-flow bath filler.

For optimum performance, dedicated water supply lines are recommended.

Increase the size of the water supply tube by 1/4", to offset the piping loss if the water supply is a significant distance from the valve. If necessary, review with your Plumbing Professional.

If possible, install the valve before installing the digital control(s).

If possible, flush all piping thoroughly before installing the valve. If the pipes are flushed after the valve is installed, clean the inlet filters before using the system.

A qualified electrician should install a 120 V GFCI\*-protected electrical outlet, within the stud framing, above the valve.

If possible, install the electrical outlet before installing the valve.

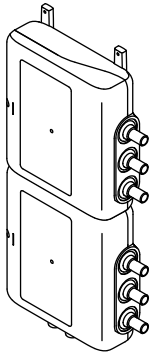
This valve complies with ASME A112.18.1/CSA B125.1, ASSE 1016/ASME A112.18.1016/CSA B125.16, UL1951. This valve is listed with IAPMO/cUPC, and UL.

The digital valve is equipped with WiFi and Bluetooth® technology allowing for communication through the KOHLER Konnect® App or a wireless remote control.

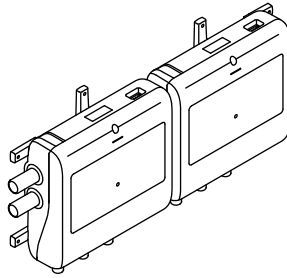
The BLUETOOTH® word mark and logos are registered trademarks owned by Bluetooth SIG, Inc. and any use of such marks by Kohler Co. is under license. Other trademarks and trade names are those of their respective owners.

# Mounting Configurations

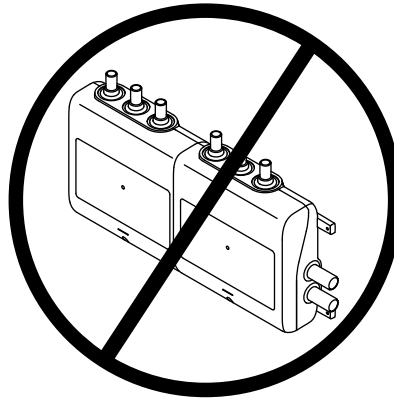
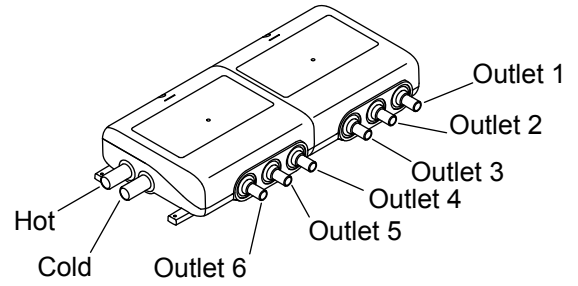
---



**Vertical Mount**



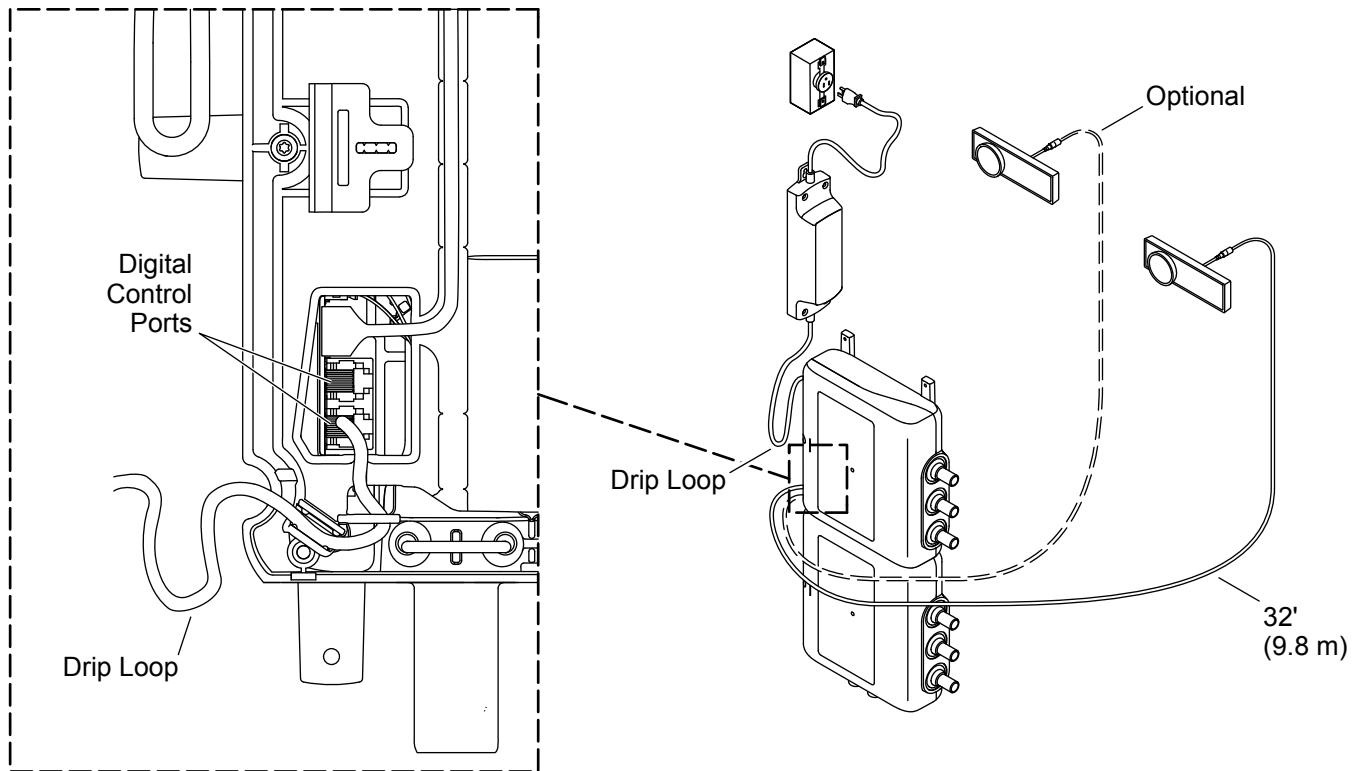
**Horizontal Mount**



**⚠ CAUTION: Risk of product damage.** Do not mount the valve with the inlet or outlet ports positioned above the product. Ports must be oriented as shown to optimize water flow.

**NOTE:** Vertical and horizontal mounting options are shown above.

# 1. Plan the Component Locations



**NOTE:** Only one digital control is required inside the showering space. A second digital control or ON/OFF remote control can be installed outside of the shower area.

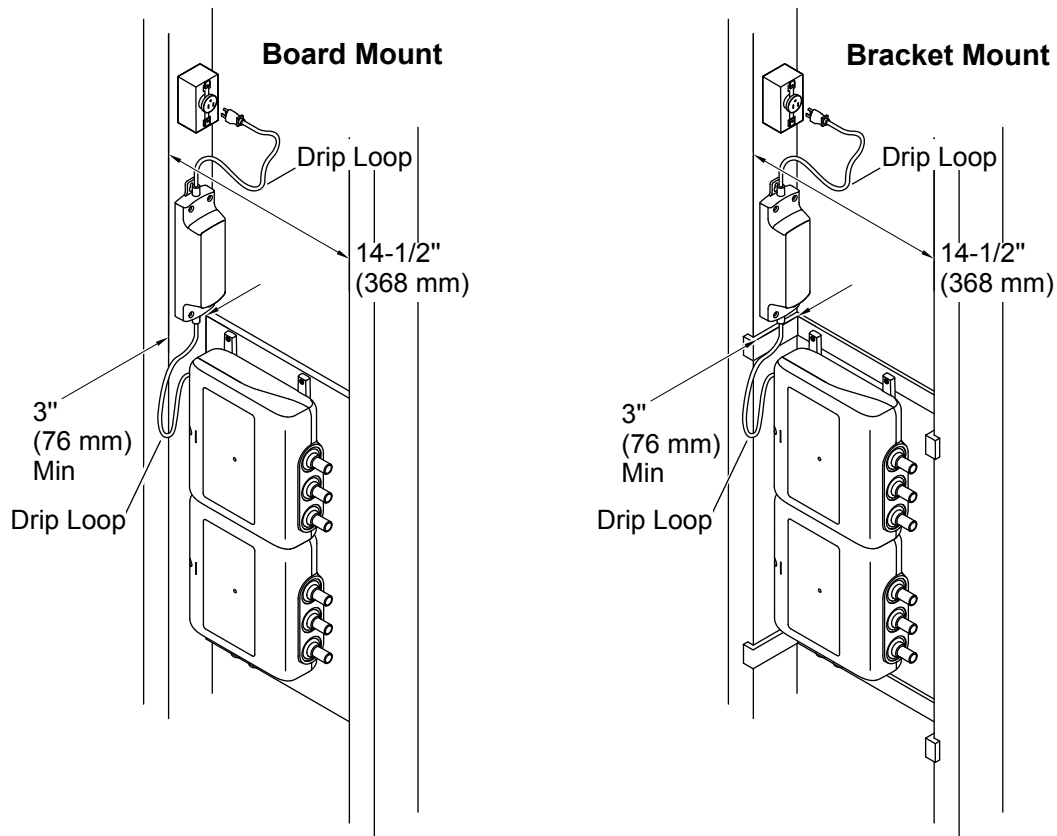
**NOTE:** Your digital control may appear different than the one illustrated, however, the installation procedure for the valve remains the same. For the digital control installation, follow the instructions packed with the digital control.

- Install a 120 V GFCI\*-protected electrical outlet within the stud framing, near the valve. Locate the electrical outlet above the valve and power supply.



## 2. Prepare the Site

---



**IMPORTANT!** The power supply must be installed within the stud framing, near the valve. Verify that the power supply is installed above the valve and below the electrical outlet.

**NOTICE:** Do not install the valve in any location where the temperature may exceed 122°F (50°C). The valve and the integrated power supply are rated to operate in temperatures up to 122°F (50°C).

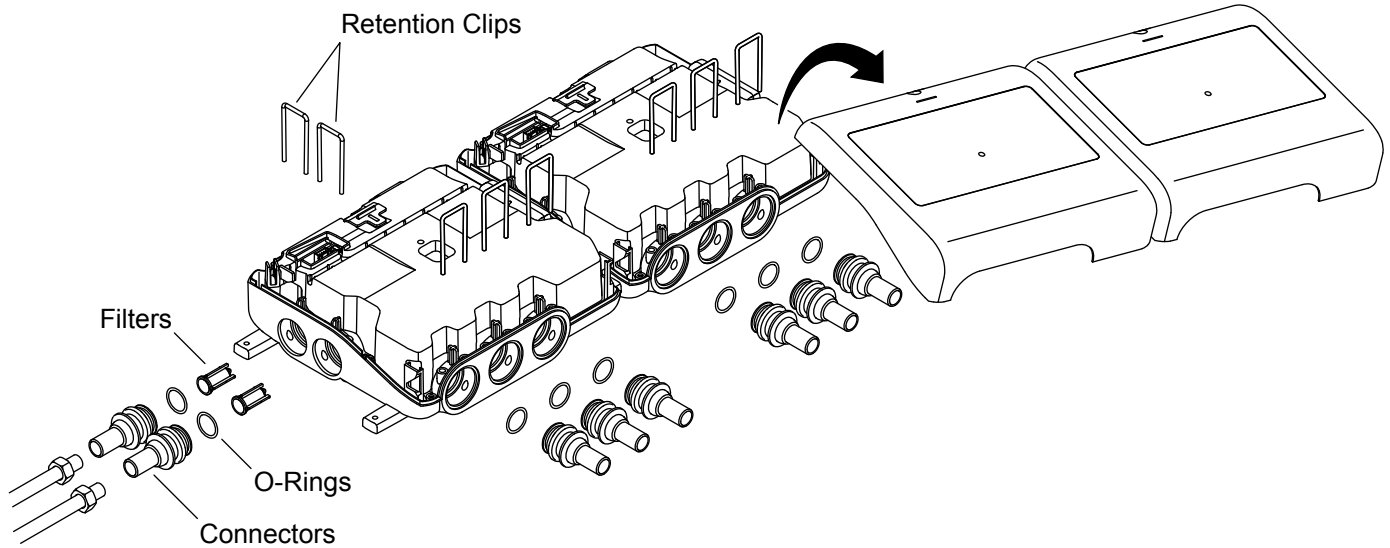
**NOTICE:** This product can be mounted on a rigid backer board or telescopic brackets (not supplied).

**NOTE:** Horizontal installation within a stud cavity is shown. The valve can also be mounted vertically or mounted to a horizontal surface. Refer to the "Mounting Configurations" section.

**NOTE:** This product is designed to be installed within a minimum 14-1/2" (368 mm) stud cavity. Verify that there is a minimum 3" (76 mm) depth clearance.

- Install a 120 V GFCI\*-protected electrical outlet within the stud framing, near the valve. Locate the electrical outlet above the valve and power supply.

### 3. Make the Connections



**⚠ CAUTION: Risk of product damage.** Do not apply excessive heat near the valve or apply flux or acids directly onto the valve. This valve contains plastic and rubber components that will melt if heat is directly applied.

**NOTE:** Do not cap any port. Ports should be tied together if a port is not utilized.

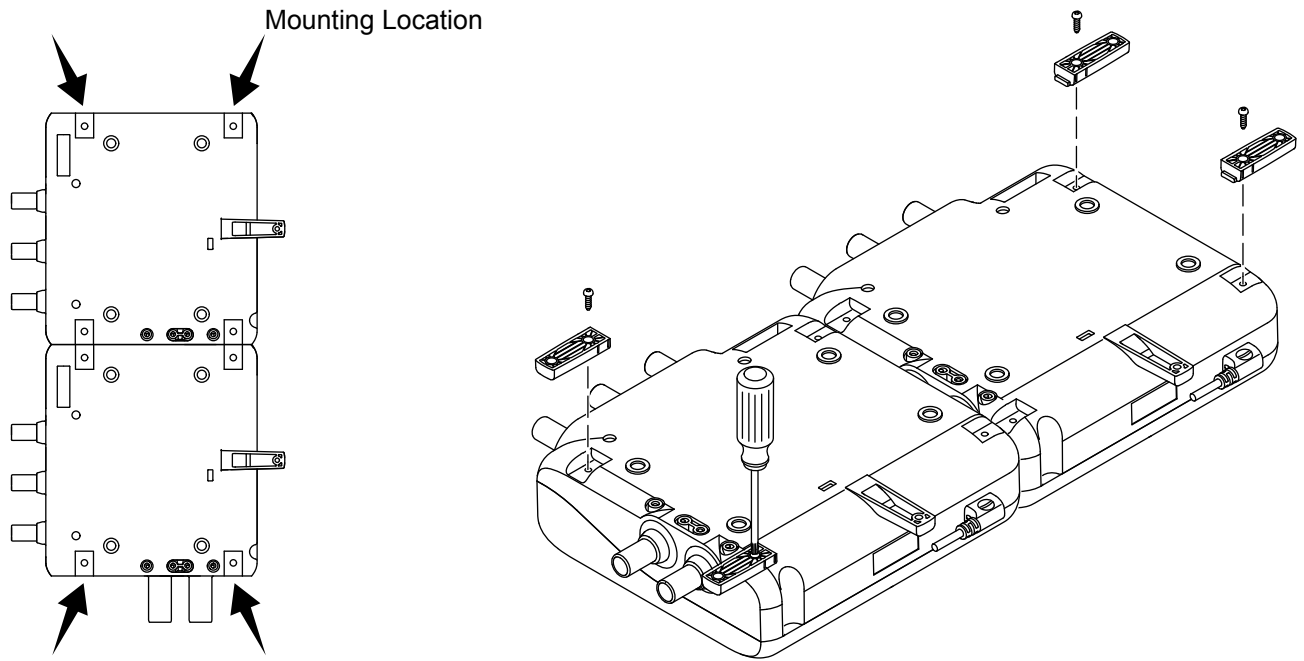
**NOTE:** Do not use ammoniac flux types for soldering joints as these can cause corrosion.

	4-Outlet Valve	6-Outlet Valve
Zone 1	Outlet 1 and 2	Outlet 1, 2 and 3
Zone 2	Outlet 3 and 4	Outlet 4, 5 and 6

- Unthread the screws securing the cover to the valve. Remove the cover and set aside.
- Lift and remove the retention clips.
- Remove the connectors.
- Remove the O-rings.
- Use needlenose pliers to remove the debris filters from the hot and cold valves.
- Slide the copper or brass fitting onto the inlet/outlet tube.
- Solder the inlet/outlet tube to the copper or brass fittings. Allow to cool completely.
- Reinstall the O-ring onto the inlet/outlet tube.
- For inlet tubes only:** Insert the debris filters into the end of the inlet tube.
- Reinstall the connectors to the valve. Secure with the retention clips. Verify that the clips are fully inserted.
- Repeat for all inlet/outlet tubes as required.
- Replace the cover and secure with the screws.

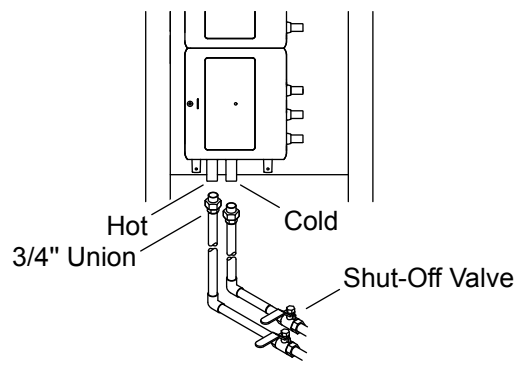
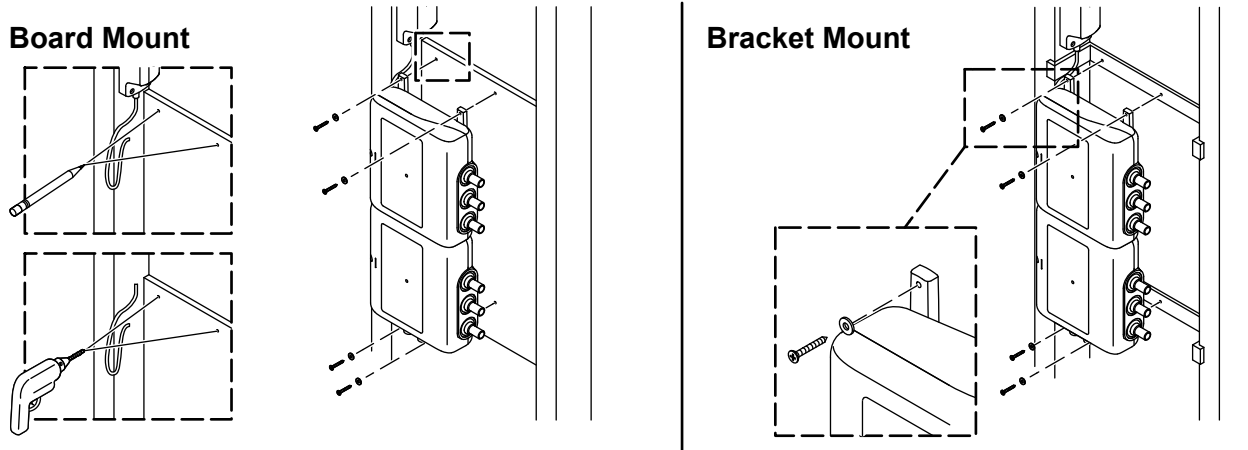
## 4. Install the Mounting Feet

---



- Rotate the valve to access the mounting feet locations.
- Secure the mounting feet with the screws provided.

## 5. Install the Valve



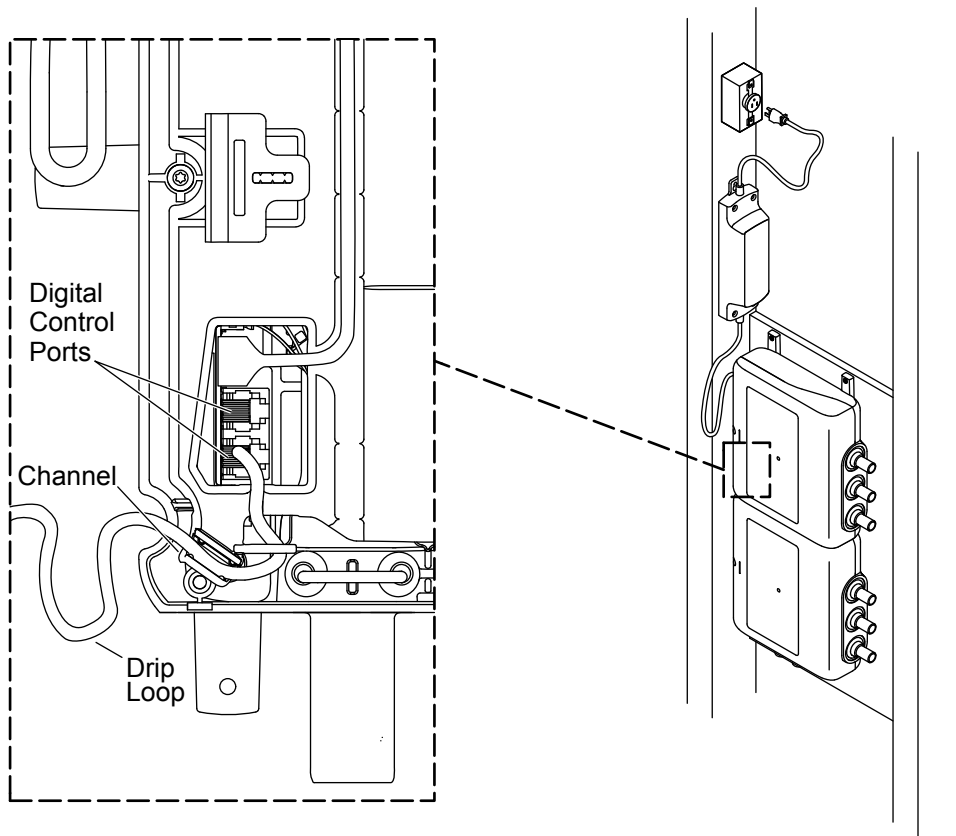
- Route 3/4" (1" PEX) dedicated water supply lines. Use unions to install removable pipe segments to the valve inlets to allow access for periodic cleaning of the inlet filters.
- Install shut-off valves in the supply lines before the valve.
- Hold the valve up to the installation location. Verify that the valve fits and the outlets are accessible. Mark the hole locations.
- Predrill the holes.
- Secure the valve with the washers and screws. **Do not overtighten!**

**IMPORTANT!** When routing piping, the number marked at each valve outlet must correspond to the appropriate shower fitting for preprogrammed or custom showering experiences to function properly. Refer to the Homeowners Guide for more information.

- Route the piping from the valve outlets to the appropriate shower fitting following the recommended pipe fitting sizes listed.
- Connect the hot and cold supply lines to the appropriate valve inlets. Hot is red and marked with "HOT," cold is blue and marked with "COLD."
- Secure all piping to the framing.

## 6. Connect the Digital Control

---

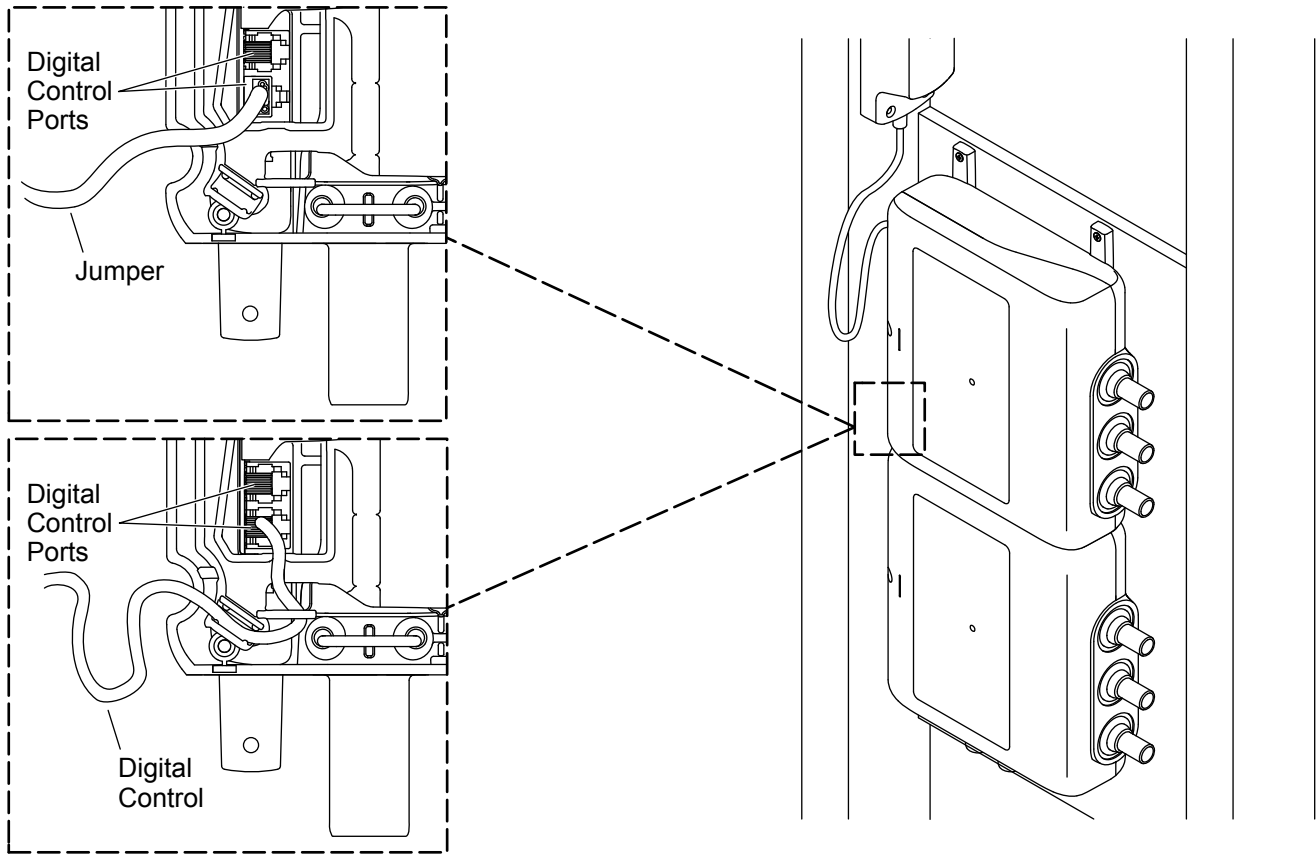


**NOTICE:** Do not plug in the power cord until all digital control cables are connected.

**IMPORTANT!** Make drip loops in all cables and cords.

- Route the digital control cable(s) in the wall, from the valve location to the digital control installation location(s).
- If not already installed, install the digital control(s) according to the instructions packed with the product.
- Remove the cover to connect the digital control cable(s) to the valve.
- Route the cables through the wire channel to prevent pinching the wires.
- Replace the cover.
- Plug the power cord into the valve.
- Verify that there is power to the 120 V GFCI\*-protected electrical outlet.
- Plug the power cord into the electrical outlet.

## 7. Installation Checkout



### Test for Leaks Without a Digital Control

- Disconnect the power from the valve.
- Unthread the screw to remove the cover.
- Connect the jumper cable to the digital control port, then reconnect the power.
- Wait 10 seconds for the valve to restart and the outlets to activate.
- Check all connections for leaks.
- Disconnect the power. Remove the jumper cable.
- Replace the cover. Secure with the screw.
- Reconnect the power to the valve.

### Test for Proper Operation (Requires an Installed Digital Control)

**NOTE:** For more information about using the digital control, refer to the digital control Homeowners Guide.

- Use the digital control to turn ON the water outlets.
- Check for leaks and make adjustments as needed.

### Exercise the Valve (Requires an Installed Digital Control)

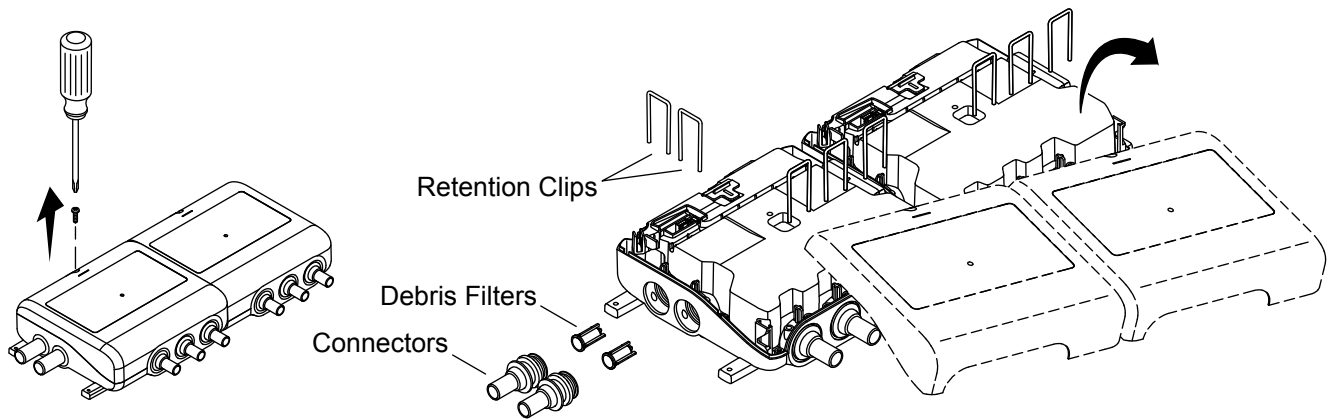
**NOTE:** Recently installed or infrequently used valves should be exercised before setting the maximum temperature.

**NOTE:** The maximum water temperature to the outlets is limited to 120°F (49°C). The valve will automatically shut down if the temperature exceeds 120°F (49°C).

- Verify that the hot and cold water supply lines are connected to the appropriate valve inlets.
- Using the digital control, adjust the temperature from cold to hot and back to cold several times, pausing for 30 seconds at each extreme.

## Clean the Debris Filters

---



**⚠ CAUTION: Risk of personal injury.** The valve may contain hot water. Be careful when draining any residual water.


- Turn OFF the water supply to both inlets.
- Start the shower for a few seconds to release trapped pressure and verify that you have isolated the water supply.
- Disconnect the power.
- Unthread the screws to remove the covers.
- Lift and remove the retention clips.
- Remove the connectors. The O-ring and screen may be attached to the end of the connector.
- If the screen remains in the connector, use a pair of needlenose pliers to remove the debris filters from the connectors.
- Clean the filters to remove any dirt or debris.

**NOTE:** The check valve is located within the product and does not require routine servicing. If the check valve needs to be replaced, use a blunt object to pull the check valve from the product and replace.

- Reassemble the inlet connections.
- Replace the covers. Secure with the provided screws.



# Troubleshooting

 **WARNING: Risk of electric shock.** Disconnect the power before servicing.

**NOTICE:** Valve maintenance should be performed by a KOHLER Authorized Service Representative (ASR).

This troubleshooting guide is for general aid only. For service and installation issues or concerns, call 1-800-4KOHLER.

Symptoms	Probable Cause	Recommended Action
1. Valve will not turn ON.	<ul style="list-style-type: none"> <li><b>A.</b> The power supply is not plugged into the electrical outlet.</li> <li><b>B.</b> The power supply is not plugged into the valve.</li> <li><b>C.</b> Digital control cable connections may be loose or disconnected.</li> <li><b>D.</b> Circuit breaker has tripped.</li> <li><b>E.</b> The valve memory may require resetting.</li> <li><b>F.</b> If none of the recommended actions for the above issues correct the symptom, the control or valve requires servicing.</li> </ul>	<ul style="list-style-type: none"> <li><b>A.</b> Plug the power supply into an electrical outlet.</li> <li><b>B.</b> Plug the power supply into the valve.</li> <li><b>C.</b> Check all control cable connections, connect if needed.</li> <li><b>D.</b> Reset the circuit breaker.</li> <li><b>E.</b> Disconnect and reconnect the valve power supply from the electrical outlet.</li> <li><b>F.</b> Contact your Kohler Co. Authorized Service Representative (ASR).</li> </ul>
2. The digital control is lit, but the system will not turn ON.	<ul style="list-style-type: none"> <li><b>A.</b> Digital control cable connections may be loose.</li> <li><b>B.</b> The valve may require a reset.</li> <li><b>C.</b> If the above recommended action does not correct the symptom, the control or valve requires servicing.</li> </ul>	<ul style="list-style-type: none"> <li><b>A.</b> Check all control cable connections, and connect if needed.</li> <li><b>B.</b> Disconnect and reconnect the valve power supply from the electrical outlet.</li> <li><b>C.</b> Contact your Kohler Co. Authorized Service Representative (ASR).</li> </ul>
3. The digital control functions normally but no water flows from the shower fittings.	<ul style="list-style-type: none"> <li><b>A.</b> Valve outlets may be blocked.</li> <li><b>B.</b> Fittings/sprayfaces may be blocked.</li> <li><b>C.</b> Hot and cold water supplies are not turned ON.</li> <li><b>D.</b> The valve memory may require resetting.</li> <li><b>E.</b> System error.</li> <li><b>F.</b> If none of the recommended actions for the above issues correct the symptom, the control or valve requires servicing.</li> </ul>	<ul style="list-style-type: none"> <li><b>A.</b> Check the valve outlets for blockage or debris. Clean the outlet screens.</li> <li><b>B.</b> Clean the sprayfaces and any screens in your fittings.</li> <li><b>C.</b> Turn ON the water supply to the valve.</li> <li><b>D.</b> Disconnect and reconnect the valve power supply from the electrical outlet.</li> <li><b>E.</b> Check the control for an error code. Refer to the digital control homeowners guide for error code diagnosis.</li> <li><b>F.</b> Contact your Kohler Co. ASR.</li> </ul>

Symptoms	Probable Cause	Recommended Action
4. Maximum blend temperature too hot or too cold.	<p><b>A.</b> Incorrect maximum temperature setting.</p> <p><b>B.</b> If the above recommended action does not correct the symptom, the control or valve requires servicing.</p>	<p><b>A.</b> Refer to the digital control homeowners guide for maximum temperature adjustment instructions.</p> <p><b>B.</b> Contact your Kohler Co. ASR.</p>
5. Continuous flow.	<p><b>A.</b> System will not switch OFF.</p>	<p><b>A.</b> Turn OFF the water and power supply and contact your Kohler Co. Authorized Service Representative (ASR).</p>
6. Only cold water flows from the outlets.	<p><b>A.</b> Hot water supply is either not turned ON or not connected to the valve inlet.</p> <p><b>B.</b> Hot water inlet is blocked.</p> <p><b>C.</b> The hot water supply is exhausted.</p> <p><b>D.</b> If none of the recommended actions for the above issues correct the symptom, the valve requires servicing.</p>	<p><b>A.</b> Check if the hot water supply is turned ON and connected to the valve inlet.</p> <p><b>B.</b> Check the hot water inlet screen for blockage. Clean or replace the inlet screen.</p> <p><b>C.</b> Allow time for the water heater to come up to temperature.</p> <p><b>D.</b> Contact your Kohler Co. ASR.</p>
7. Fluctuating or reduced flow rate. Valve is functioning properly.	<p><b>A.</b> Valve inlets may be blocked.</p> <p><b>B.</b> Fittings/Sprayface may be blocked.</p> <p><b>C.</b> Water outlet pressure is low.</p> <p><b>D.</b> Fluctuating supply pressure.</p> <p><b>E.</b> Water supply temperatures are not within the recommended range.</p>	<p><b>A.</b> Check the valve inlets for blockage or debris. Clean the inlet screens. Refer to the "Clean the Inlet Screens" section.</p> <p><b>B.</b> Clean the sprayfaces and any screens in your fittings.</p> <p><b>C.</b> Check that the flow rate is at or above the minimum rate required. Refer to "Specifications" section.</p> <p><b>D.</b> Verify that the dynamic inlet pressures are within specifications. Refer to "Specifications" section.</p> <p><b>E.</b> Check if inlet water temperatures are within the recommended range.</p>
8. Blend temperature drift or temperature cycling.	<p><b>A.</b> Fluctuating water supply temperature.</p> <p><b>B.</b> Pressure difference greater than 5 psi (34.5 kPa) between the hot and cold supply lines.</p> <p><b>C.</b> If none of the recommended actions for the above issues correct the symptom, the valve requires servicing.</p>	<p><b>A.</b> Check the inlet temperature differentials and verify that they are sufficient. Refer to "Specifications" section.</p> <p><b>B.</b> Install pressure regulators to bring the supplies within 5 psi (34.5 kPa) of each other.</p> <p><b>C.</b> Contact your Kohler Co. ASR.</p>
9. Water leaking from the valve. CAUTION: Risk of personal injury or product damage. Turn OFF the main power and water supply.	<p><b>A.</b> Connections are not secure.</p> <p><b>B.</b> Seals are worn or damaged.</p> <p><b>C.</b> Internal leak.</p>	<p><b>A.</b> Check all connections. Make adjustments as needed.</p> <p><b>B.</b> Order a seal service pack and replace all seals.</p> <p><b>C.</b> Unit requires overhaul. Contact your Kohler Co. ASR.</p>

Symptoms	Probable Cause	Recommended Action
10. Hot water only, the valve shuts down.	A. Hot and cold lines are reversed.	A. Switch hot and cold water supply connections. Verify that the hot water supply is connected to the "Hot" inlet and the cold water supply is connected to the "Cold" inlet.

## Compliance

---

### Contains FCC ID: SH6MDBT42Q, Z64-CC3235MOD

This device complies with Part 15 of the FCC Rules. Operation is subject to the following two conditions: (1) this device may not cause harmful interference, and (2) this device must accept any interference received, including interference that may cause undesired operation.

Changes or modifications not expressly approved by the party responsible for compliance could void the user's authority to operate the equipment.

This equipment has been tested and found to comply with the limits for a Class B digital device, pursuant to Part 15 of the FCC Rules. These limits are designed to provide reasonable protection against harmful interference in a residential installation. This equipment generates, uses, and can radiate radio frequency energy and, if not installed and used in accordance with the instructions, may cause harmful interference to radio communications. However, there is no guarantee that interference will not occur in a particular installation. If this equipment does cause harmful interference to radio or television reception, which can be determined by turning the equipment off and on, the user is encouraged to try to correct the interference by one of the following measures:

- Reorient or relocate the receiving antenna.
- Increase the separation between the equipment and receiver.
- Connect the equipment into an outlet on a circuit different from that to which the receiver is connected.
- Consult the dealer or an experienced radio/TV technician for help.

### RF Exposure Warning

This transmitter with its antenna complies with FCC's RF exposure limits for general population/uncontrolled exposure. This device must not be co-located or operated in conjunction with any other antenna or transmitter. This device should be operated with a minimum distance of 7-7/8" (200 mm) between the radiator and your body.

### Contains IC: 8017A-MDBT42Q, 451I-CC3235MOD

This device contains license-exempt transmitter(s)/receiver(s) that comply with Innovation, Science and Economic Development Canada's license-exempt RSS(s). Operation is subject to the following two conditions: (1) this device may not cause interference, and (2) this device must accept any interference, including interference that may cause undesired operation of the device.

This transmitter with its antenna complies with Industry Canada RF Exposure Limits for General Population/Uncontrolled Exposure.

This Class B digital apparatus complies with Canadian ICES-003.

# Instructions d'installation

## Vanne numérique à quatre ports/six ports

### Merci d'avoir choisi KOHLER

---

**Besoin d'aide?** Appeler notre centre de services à la clientèle.

- USA/Canada : 1-800-4KOHLER (1-800-456-4537) Mexique : 001-800-456-4537
- **Pièces d'entretien** : [kohler.com/serviceparts](https://kohler.com/serviceparts)
- **Entretien et nettoyage** : [kohler.com/clean](https://kohler.com/clean)
- **Brevets** : [kohlercompany.com/patents](https://kohlercompany.com/patents)







### Garantie

---

Ce produit est couvert sous la **garantie limitée de cinq ans des commandes, vannes et robinets électroniques KOHLER®**, fournie sur le site [kohler.com/warranty](https://kohler.com/warranty). Pour obtenir une copie imprimée des termes de la garantie, s'adresser au centre de services à la clientèle.

## INSTRUCTIONS IMPORTANTES

---

-  **AVERTISSEMENT : Lors de l'utilisation de produits électriques, toujours observer les mesures de précaution de base, dont les suivantes :**
-  **DANGER : Risque de choc électrique.** Uniquement connecter à un circuit protégé par un disjoncteur de fuite de terre (GFCI)\*.
-  **AVERTISSEMENT : Risque de choc électrique.** Tout le câblage électrique pour le produit doit être acheminé par un électricien qualifié. Une installation non adéquate crée un danger électrique et pourrait ne pas être conforme aux codes du bâtiment et d'électricité locaux.
-  **AVERTISSEMENT : Risque de choc électrique.** Débrancher l'alimentation électrique avant un entretien.
-  **AVERTISSEMENT : Des modifications non approuvées pourraient provoquer un mauvais rendement.** Ne pas faire d'autres modifications du produit sauf tel que demandé par ce guide, étant donné que cela pourrait avoir un effet défavorable sur le rendement dudit produit.
-  **AVERTISSEMENT : Risque de blessures ou de dommages matériels.** Lire toutes les instructions avec attention avant de commencer l'installation.

**AVIS :** Fournir un accès libre à la vanne pour les entretiens. Fournir un accès pour l'entretien de la vanne, du bloc d'alimentation électrique, et de la commande numérique. Cet accès doit être situé juste à côté de la vanne. Se reporter à l'information de raccordement.

Respecter tous les codes de plomberie et électriques locaux.

\*Hors de l'Amérique du Nord, ce dispositif peut être connu sous le nom de dispositif à courant résiduel (RCD).

# Spécifications

## Pressions

Pression statique maximale	145 psi, 1 000 kPa, 10 bar
Pression dynamique maximale	125 psi, 860 kPa, 8,6 bar
Différentiel de pression d'alimentation*	Max 5 psi, 34 kPa, 0,34 bar (pressions égales recommandées)
Débit minimum (pression dynamique de moins de 72 psi, pression de maintien de 500 kPa)	0,9 gal/min (3,5 l/min)
Débit minimum (pression dynamique de plus de 72 psi, pression de maintien de 500 kPa)	1,4 gal/min (5,25 l/min)
Taux de débit max	9,5 gal/min (36 l/min) par orifice de sortie, 22,5 gal/min (85 l/min) total à 45 psi, 310 kPa, 3,1 bar

Ce produit est destiné à être utilisé avec des pommes de douche d'un débit de 0,9 gal/min (3,5 l/min) ou plus.

## Températures

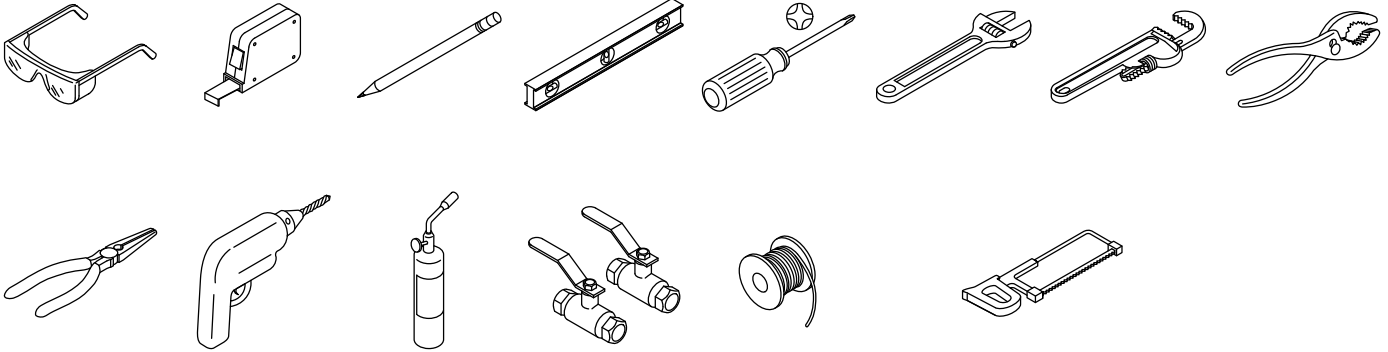
Température programmable	Max 120 °F (49 °C), Min 59 °F (15 °C) <i>La valeur complètement froid peut aussi être sélectionnée.</i>
Température par défaut au démarrage	100 °F (38 °C)
Température d'orifice d'entrée d'eau froide	34 °F (1 °C) - 80 °F (29 °C) et 3,6 °F (2 °C) en dessous de la température d'orifice de sortie programmée
Température d'orifice d'entrée d'eau chaude	120 °F (49 °C) - 149 °F (65 °C)
Stabilité de température aux conditions d'alimentation recommandées	+/- 1,6 °F (1 °C) à 86 °F (30 °C) - 118,4 °F (48 °C)
Température ambiante	Plus de 34 °F (1 °C), Max 122 °F (50 °C)
Humidité relative maximale	95 % sans condensation

## Système électrique

Caractéristiques électriques	120 V, 1,0 A, 60 Hz
------------------------------	---------------------

\* Les régulateurs de pression doivent être installés dans des applications commerciales où il y a une grande différence en pressions d'alimentation en eau chaude et en eau froide ou si l'on prévoit une fluctuation fréquente dans l'une des conduites d'alimentation.

## Outils et matériel



3/4 po

Soudure

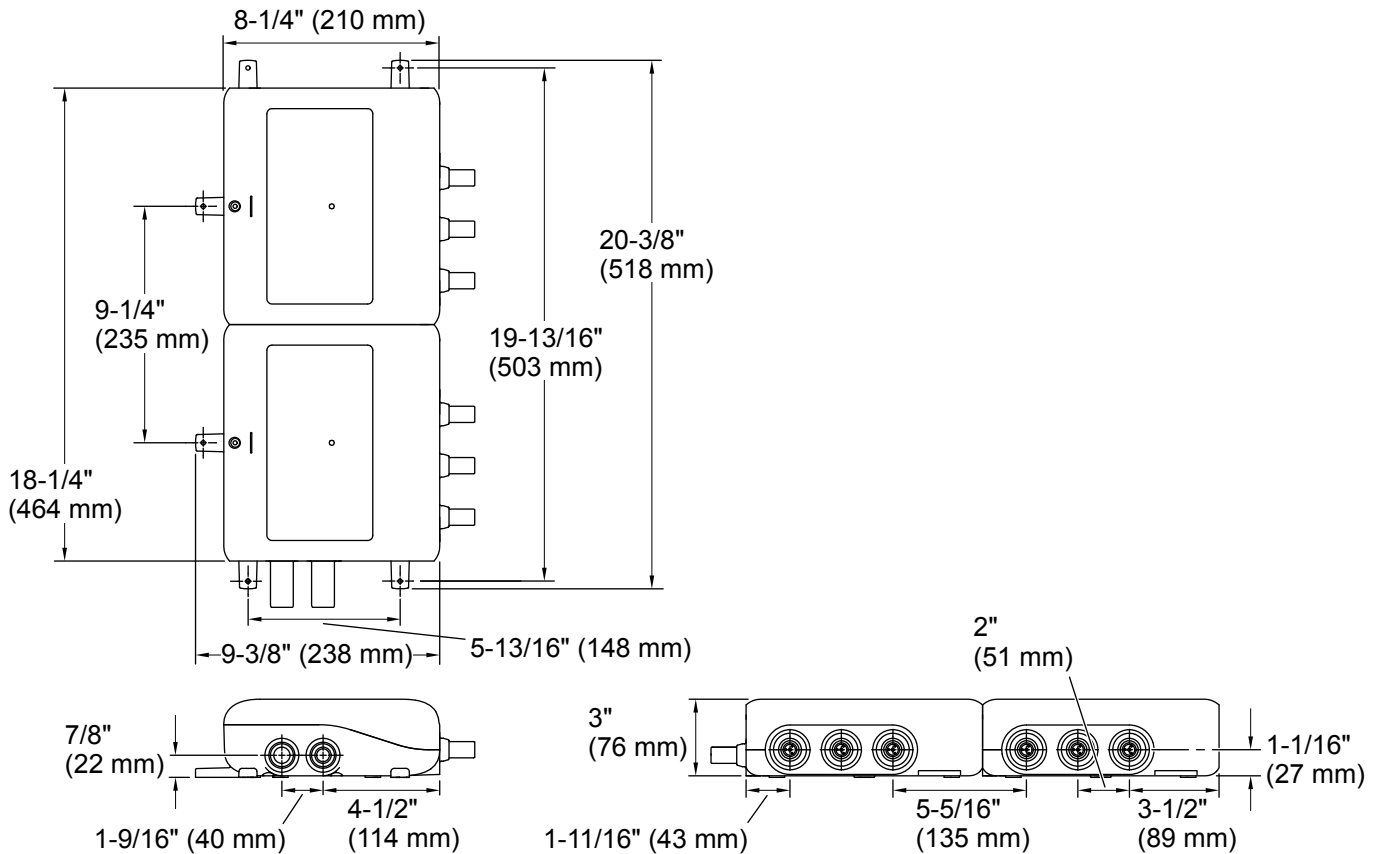
Scie à métaux ou coupe tube

### Plus :

- (2) Unions de 3/4 po pour entrées de vannes
- Matériels de bois et de cadrage
- Taille de tube d'entrée recommandée : cuivre/CPVC 3/4 po ou PEX 1 po
- Le tube de sortie recommandé dépend des exigences pour le port :
  - Moins de 5 gal/min : cuivre/CPVC/PEX 1/2 po,
  - Plus de 5 gal/min : cuivre/CPVC 1/2 po ou PEX 3/4 po

## Avant de commencer

FR



**⚠ ATTENTION : Risque d'endommagement du produit.** Ne pas appliquer de chaleur excessive à proximité de la vanne. Cette vanne contient des éléments en plastique et en caoutchouc qui fondent en cas d'application directe de chaleur.

**AVIS :** Ne pas installer la vanne dans un emplacement où la température pourrait dépasser 122 °F (50 °C). La vanne et l'alimentation électrique intégrée sont destinées à fonctionner à des températures de jusqu'à 122 °F (50 °C).

**IMPORTANT!** Lire ces instructions et déterminer les emplacements pour tous les composants requis avant de commencer l'installation.

Cette vanne n'est pas destinée à être utilisée pour un orifice de sortie unique, sauf si deux orifices de sortie sont appariés pour un remplisseur de baignoire à haut débit.

Pour assurer une performance optimale, il est recommandé d'utiliser des conduites d'alimentation en eau dédiées.

Augmenter la taille du tube d'alimentation en eau de 1/4 po pour compenser la perte de tuyauterie si l'alimentation en eau se trouve à une distance significative de la vanne. Si nécessaire, consulter un professionnel de plomberie.

Si possible, installer la vanne avant d'installer la ou les commandes numériques.

Si possible, purger complètement tous les tuyaux avant d'installer la vanne. Si les tuyaux sont purgés après l'installation de la vanne, nettoyer les filtres des orifices d'entrée avant d'utiliser le système.

Un électricien qualifié doit installer une prise électrique protégée par un dispositif GFCI de 120 V, dans l'ossature, au-dessus de la vanne.

Si possible, installer la prise électrique avant d'installer la vanne.

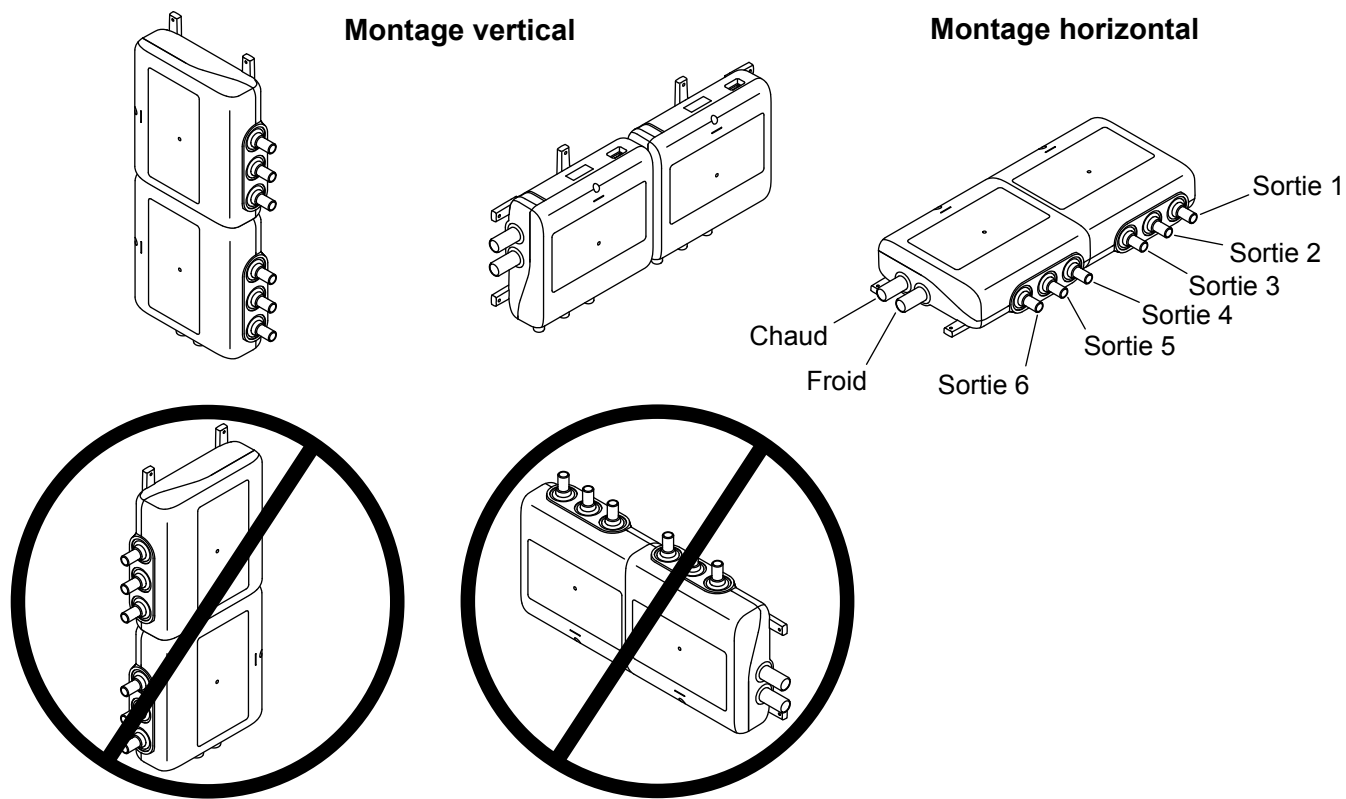


Cette vanne est conforme aux normes ASME A112.18.1/CSA B125.1, ASSE 1016/ASME A112.18.1016/CSA B125.16, UL1951. Cette vanne est homologuée avec IAPMO/cUPC, et UL.

Cette vanne numérique est munie de la technologie WiFi et Bluetooth® permettant une communication en passant par l'application KOHLER Konnect® ou une télécommande sans fil.

La marque et les logos BLUETOOTH® sont des marques de commerce déposées appartenant à Bluetooth SIG, Inc. et toute utilisation de telles marques par Kohler Co. est sous licence. D'autres marques et noms de commerce appartiennent à leurs propriétaires respectifs.

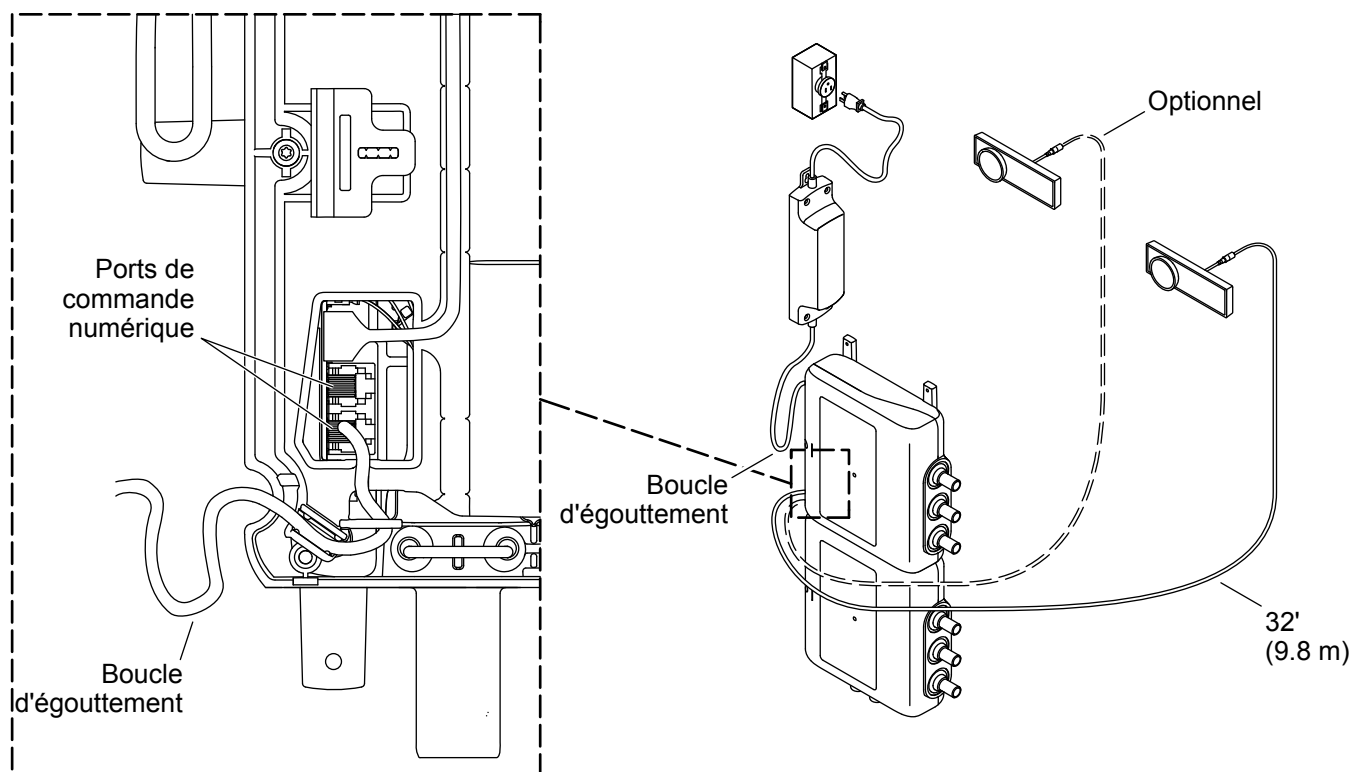
## Configurations de montage



**⚠ ATTENTION : Risque d'endommagement du produit.** Ne pas monter la vanne avec les ports des orifices d'entrée ou de sortie positionnés au-dessus du produit. Les ports doivent être dirigés comme indiqué pour optimiser le débit d'eau.

**REMARQUE :** Les options de montage vertical et horizontal sont illustrées ci-dessus.

## 1. Planifier les emplacements des composants

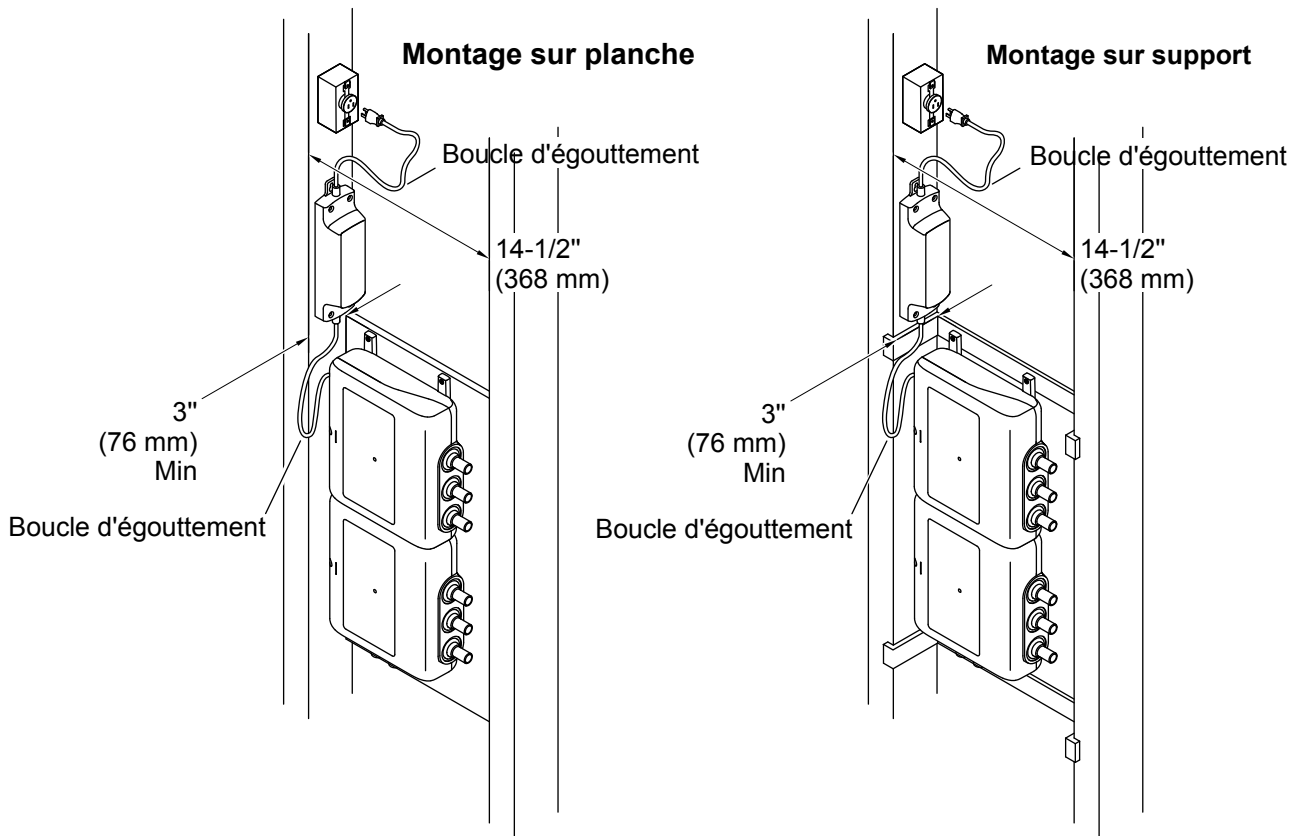


**REMARQUE :** Une seule commande numérique est requise à l'intérieur de l'espace de douche. Une deuxième commande numérique ou une télécommande Marche/Arrêt peut être installée à l'extérieur de la zone de douche.

**REMARQUE :** Votre commande numérique pourrait sembler être différente de celle qui est illustrée, mais la procédure d'installation pour la vanne reste la même. Pour l'installation de la commande numérique, suivre les instructions qui accompagnent celle-ci.

- Installer une prise électrique protégée par un dispositif GFCI\* de 120 V, dans l'ossature, à proximité de la vanne. Positionner la prise électrique au-dessus de la vanne et de l'alimentation électrique.

## 2. Préparer le site



**IMPORTANT!** L'alimentation électrique doit être installée dans l'ossature, à proximité de la vanne. Vérifier que l'alimentation électrique est installée au-dessus de la vanne et en dessous de la prise électrique.

**AVIS :** Ne pas installer la vanne dans un emplacement où la température pourrait dépasser 122 °F (50 °C). La vanne et l'alimentation électrique intégrée sont destinées à fonctionner à des températures de jusqu'à 122 °F (50 °C).

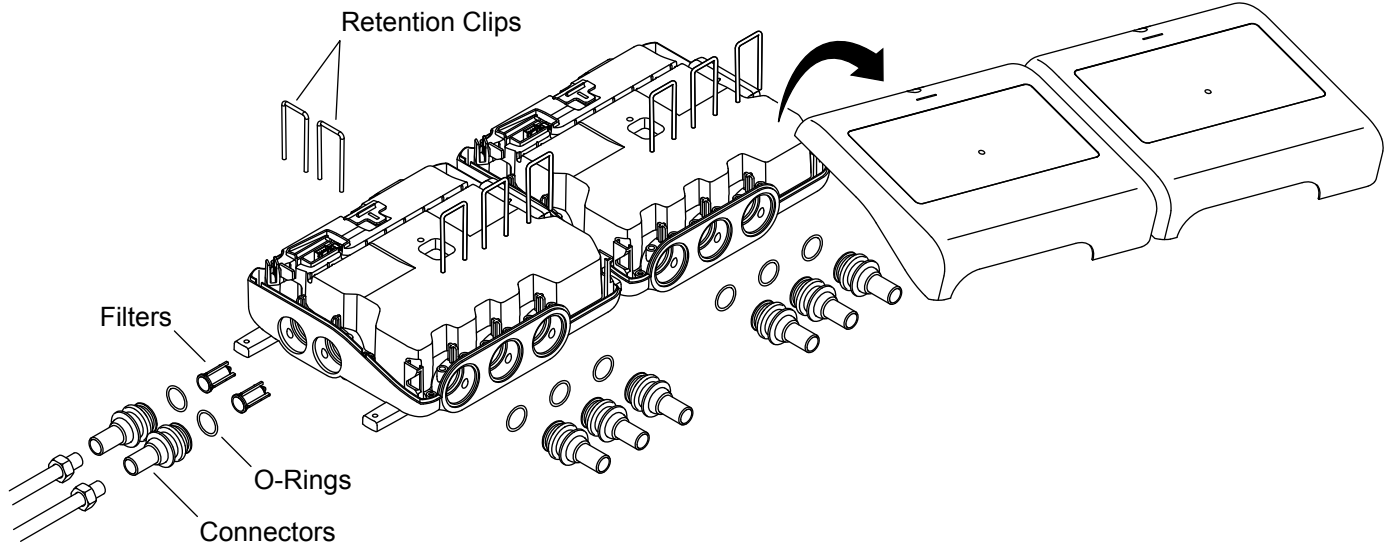
**AVIS :** Ce produit peut être monté sur une planche d'appui rigide ou des supports télescopiques (non fournis).

**REMARQUE :** Une installation horizontale dans une cavité de montant est illustrée. La vanne peut également être montée verticalement ou elle peut être montée sur une surface horizontale. Se référer à la section « Configurations de montage ».

**REMARQUE :** Ce produit est conçu pour être installé dans une cavité de montant de 14-1/2 po (368 mm) minimum. Vérifier qu'il y a un dégagement d'une profondeur de 3 po (76 mm) minimum.

- Installer une prise électrique protégée par un dispositif GFCI\* de 120 V, dans l'ossature, à proximité de la vanne. Positionner la prise électrique au-dessus de la vanne et de l'alimentation électrique.

### 3. Effectuer les connexions



**⚠ ATTENTION : Risque d'endommagement du produit.** Ne pas appliquer de chaleur excessive à proximité de la vanne et ne pas appliquer de flux ou des acides directement sur la vanne. Cette vanne contient des éléments en plastique et en caoutchouc qui fondent en cas d'application directe de chaleur.

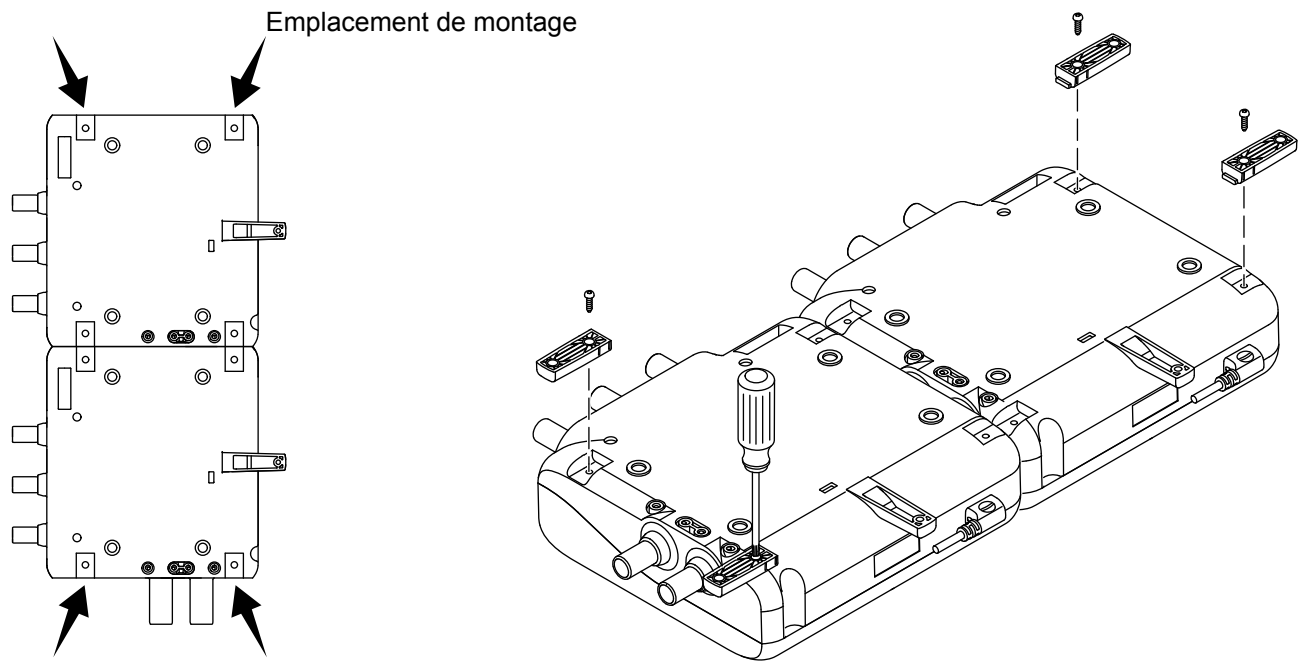
**REMARQUE :** Ne pas recouvrir les ports. Les ports doivent être interconnectés avec l'un l'autre si un port n'est pas utilisé.

**REMARQUE :** Ne pas utiliser de types de flux d'ammoniac pour souder les joints, étant donné que ces derniers peuvent causer une corrosion.

	Vanne à 4 sorties	Vanne à 6 sorties
Zone 1	Sorties 1 et 2	Sorties 1, 2 et 3
Zone 2	Sorties 3 et 4	Sorties 4, 5 et 6

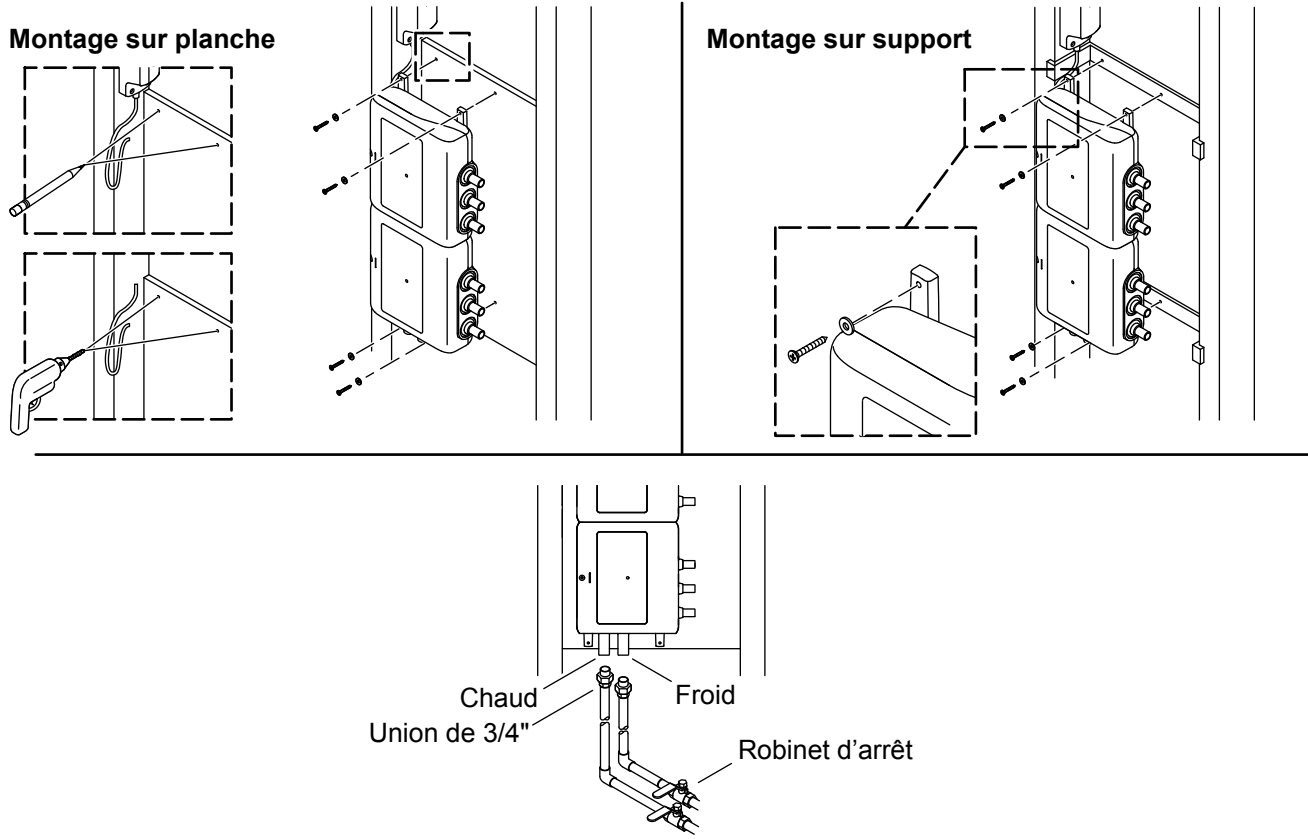
- Désenfiler les vis qui fixent le couvercle à la vanne. Retirer le couvercle et le mettre de côté.
- Lever et retirer les agrafes de retenue.
- Retirer les connecteurs.
- Retirer les joints toriques.
- Utiliser une pince à becs effilés pour retirer les filtres de débris des vannes d'eau chaude et d'eau froide.
- Glisser le raccord en cuivre ou en laiton sur le tube de l'orifice d'entrée/de sortie.
- Souder le tube de l'orifice d'entrée/de sortie sur les raccords en cuivre ou en laiton. Laisser entièrement refroidir.
- Réinstaller le joint torique sur le tube de l'orifice d'entrée/de sortie.
- Pour les tubes d'entrée seulement :** Insérer les filtres de débris dans l'extrémité du tube d'entrée.
- Réinstaller les connecteurs sur la vanne. Fixer en place avec les agrafes de retenue. Vérifier que les agrafes sont entièrement insérées.
- Répéter pour tous les tubes d'entrée/de sortie comme requis.
- Remettre le couvercle en place et le sécuriser avec les vis.

## 4. Installer les pieds de fixation



- Tourner la vanne pour accéder aux emplacements des pieds de fixation.
- Fixer les pieds de fixation avec les vis fournies.

## 5. Installer le robinet

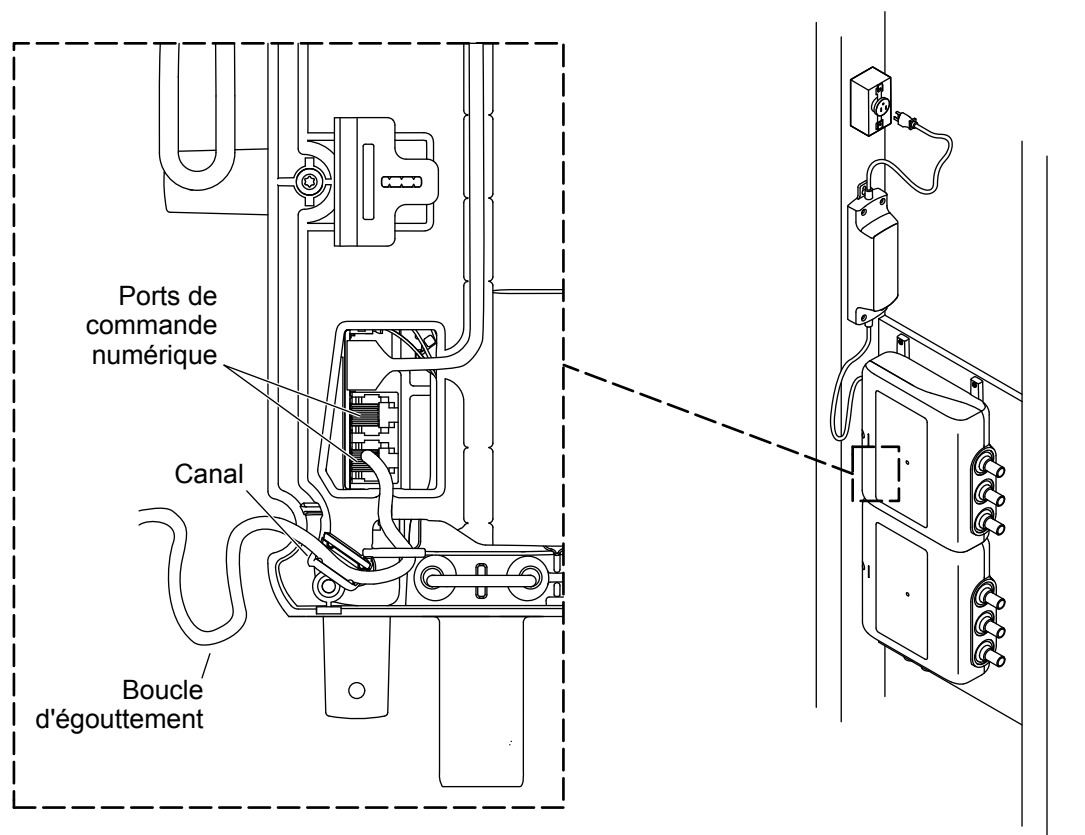


- Acheminer des conduites d'alimentation en eau dédiées de 3/4 po (PEX 1 po). Utiliser des raccords pour installer des segments de tuyaux amovibles sur les orifices d'entrée des vannes afin de permettre un accès pour un nettoyage périodique des filtres des orifices d'entrée.
- Installer des robinets d'arrêt dans les conduites d'alimentation avant la vanne.
- Tenir la vanne au niveau de l'emplacement d'installation. Vérifier que la vanne s'adapte et qu'il est possible d'accéder aux orifices de sortie. Marquer les emplacements des trous.
- Prépercer les trous.
- Sécuriser la vanne avec les rondelles et les vis. **Ne pas trop serrer!**

**IMPORTANT!** Lors de l'acheminement de la tuyauterie, le chiffre indiqué au niveau de chaque orifice de sortie de vanne doit correspondre au raccord de douche approprié pour que les effets de douche préprogrammés ou personnalisés puissent fonctionner correctement. Se reporter au Guide du propriétaire pour obtenir des renseignements supplémentaires.

- Acheminer la tuyauterie en provenance des orifices de sortie des vannes vers le raccord de douche approprié en suivant les tailles de raccords de tuyaux indiquées.
- Raccorder les conduites d'alimentation en eau chaude et en eau froide aux orifices d'entrée de vannes appropriées. L'eau chaude est rouge et porte la mention « HOT » (Chaud), l'eau froide est bleue et porte la mention « COLD » (Froid).
- Sécuriser toute la tuyauterie sur l'ossature.

## 6. Connecter la commande numérique



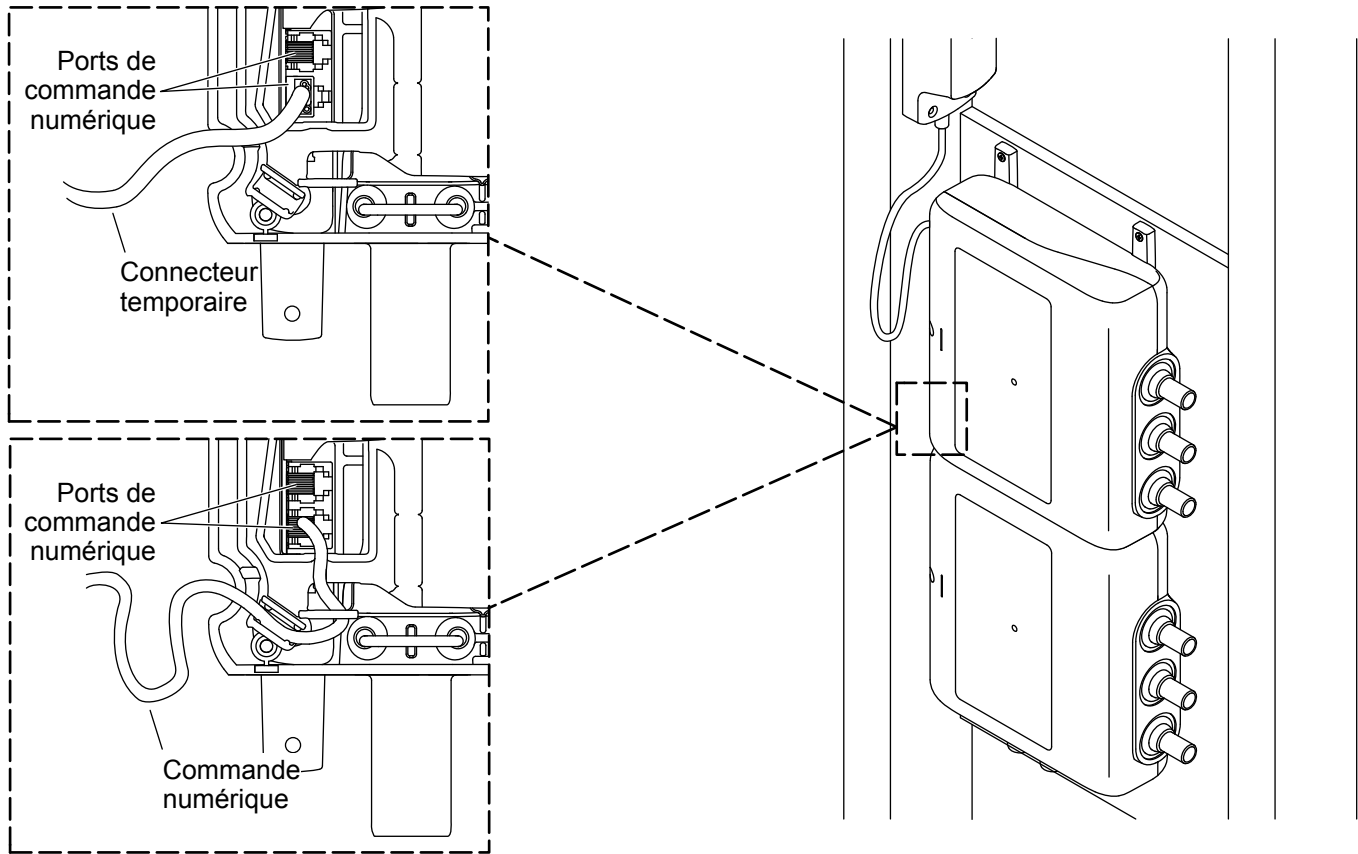
**AVIS :** Ne pas brancher le cordon d'alimentation électrique avant d'avoir connecté tous les câbles de la ou des commandes numériques.

**IMPORTANT!** Créer des boucles d'égouttement dans tous les câbles et cordons.

- Acheminer le(s) câble(s) de la ou des commandes numériques dans le mur entre l'emplacement de la vanne ou des vannes et l'emplacement ou les emplacements d'installation de la ou des commandes numériques.
- Si cela n'a pas encore été effectué, installer la ou les commandes numériques selon les instructions accompagnant le produit.
- Retirer le couvercle pour connecter le(s) câble(s) de la ou des commandes numériques à la vanne.
- Acheminer les câbles à travers le canal de fils pour empêcher un pincement de ces derniers.
- Remettre le couvercle en place.
- Brancher le cordon d'alimentation dans la vanne.
- Vérifier la présence d'une alimentation vers la prise électrique protégée par un dispositif GFCI\* de 120 V.
- Brancher le cordon d'alimentation dans la prise électrique.



## 7. Vérification de l'installation



### Rechercher des fuites sans commande numérique

- Déconnecter l'alimentation électrique de la vanne.
- Dévisser la vis pour retirer le couvercle.
- Connecter le câble de raccordement temporaire au port de la commande ou des commandes numériques, puis reconnecter l'alimentation électrique.
- Attendre 10 secondes pour permettre le redémarrage de la vanne ou des vannes et l'activation des orifices de sortie.
- Inspecter tous les raccords pour y rechercher des fuites éventuelles.
- Déconnecter l'alimentation électrique. Retirer le câble de raccordement temporaire.
- Remettre le couvercle en place. Fixer avec la vis.
- Reconnecter l'alimentation électrique à la vanne.

### Vérifier le bon fonctionnement (exige l'installation d'une commande numérique)

**REMARQUE :** Pour obtenir de l'information supplémentaire sur l'utilisation de la commande numérique, consulter le guide du propriétaire de la commande numérique.

- Utiliser la commande numérique pour mettre les orifices de sorties d'eau en marche.
- Rechercher des fuites éventuelles et effectuer les réglages nécessaires.

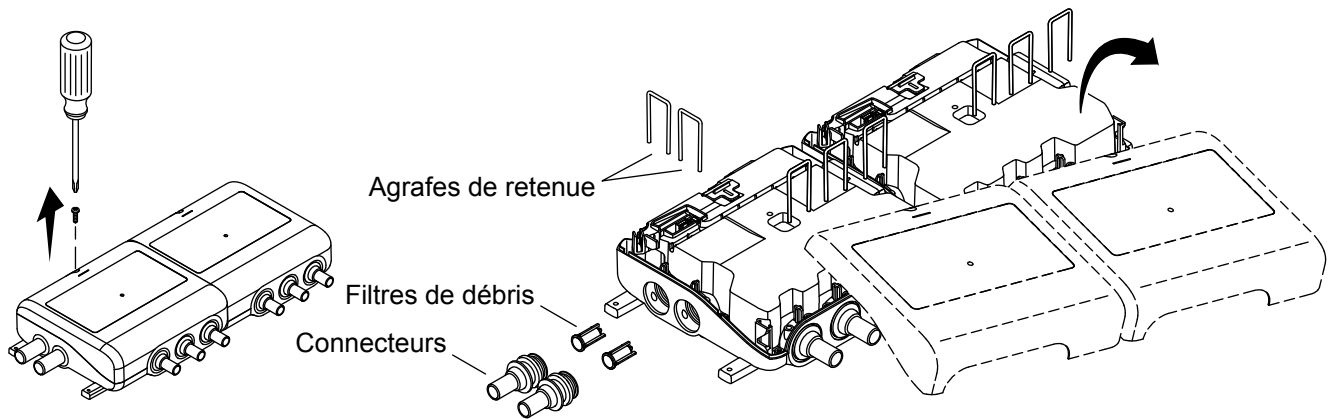
### Faire fonctionner la vanne (exige l'installation d'une commande numérique)

**REMARQUE :** Les vannes installées récemment ou utilisées de manière irrégulière doivent être testées avant de régler à la température maximum.

**REMARQUE :** La température maximum de l'eau vers les orifices de sortie est limitée à 120 °F (49 °C). La vanne s'arrête automatiquement si la température dépasse 120 °F (49 °C).

- Vérifier que les conduites d'alimentation en eau chaude et en eau froide sont connectées aux orifices d'entrée de vannes appropriées.
- Utiliser la commande numérique pour régler la température du froid au chaud puis dans l'ordre inverse à plusieurs reprises, en faisant une pause de 30 secondes à chaque extrême.

## Nettoyer les filtres de débris




**⚠ ATTENTION : Risque de blessures.** La vanne pourrait contenir de l'eau chaude. Procéder avec soin lors du drainage de toute eau résiduelle.

- Couper l'alimentation en eau aux deux entrées.
- Démarrer la douche pendant quelques secondes pour relâcher la pression piégée et vérifier que l'alimentation en eau a été isolée.
- Déconnecter l'alimentation électrique.
- Dévisser les vis pour retirer les couvercles.
- Lever et retirer les agrafes de retenue.
- Retirer les connecteurs. Le joint torique et la grille pourraient être attachés sur l'extrémité du connecteur.
- Si la grille reste dans le connecteur, utiliser une paire de pince à becs effilés pour retirer les filtres de débris des connecteurs.
- Nettoyer les filtres pour retirer toutes les saletés ou tous les débris.

**REMARQUE :** Le clapet de non-retour se trouve à l'intérieur du produit et n'exige pas un entretien régulier. Si le clapet de non-retour doit être remplacé, utiliser un objet émoussé pour retirer le clapet de non-retour du produit et le remplacer.

- Réassembler les connexions des orifices d'entrée.
- Remettre les couvercles en place. Fixer en place avec les vis fournies.

## Dépannage

 **AVERTISSEMENT : Risque de choc électrique.** Débrancher l'alimentation électrique avant un entretien.

**AVIS :** L'entretien des vannes doit être effectué par un représentant technique agréé de KOHLER (ASR).

Ce guide de dépannage est destiné à fournir une aide d'ordre général uniquement. Pour des problèmes ou questions concernant l'entretien et l'installation, composer le 1-800-4KOHLER.

Symptômes	Cause probable	Action recommandée
1. La vanne ne se met pas en marche.	<p><b>A.</b> L'alimentation électrique n'est pas branchée dans la prise électrique.</p> <p><b>B.</b> L'alimentation électrique n'est pas branchée dans la vanne.</p> <p><b>C.</b> Les connexions du câble de commande numérique pourraient être desserrées ou déconnectées.</p> <p><b>D.</b> Le disjoncteur s'est déclenché.</p> <p><b>E.</b> La mémoire de la vanne devra peut-être être réinitialisée.</p> <p><b>F.</b> Si aucune des mesures recommandées pour les problèmes susmentionnés ne rectifie le problème, il sera nécessaire de réparer la commande ou la vanne.</p>	<p><b>A.</b> Brancher l'alimentation électrique sur la prise électrique.</p> <p><b>B.</b> Brancher le cordon d'alimentation électrique dans la vanne.</p> <p><b>C.</b> Inspecter toutes les connexions de câble de la commande si nécessaire.</p> <p><b>D.</b> Réarmer le disjoncteur.</p> <p><b>E.</b> Déconnecter et reconnecter l'alimentation électrique de la vanne en provenance de la prise électrique.</p> <p><b>F.</b> Contacter un représentant technique agréé de Kohler Co (ASR).</p>
2. La commande numérique est allumée, mais le système ne se met pas en marche.	<p><b>A.</b> Les connexions du ou des câbles de la ou des commandes numériques pourraient être desserrées. Les connexions du câble d'interface pourraient être desserrées.</p> <p><b>B.</b> La vanne devra peut-être être réinitialisée.</p> <p><b>C.</b> Si la mesure recommandée ci-dessus ne rectifie pas le problème, il sera nécessaire de réparer la commande ou la vanne.</p>	<p><b>A.</b> Inspecter toutes les connexions du ou des câbles de la ou des commandes numériques si nécessaire.</p> <p><b>B.</b> Déconnecter et reconnecter l'alimentation électrique de la vanne en provenance de la prise électrique.</p> <p><b>C.</b> Contacter un représentant technique agréé de Kohler Co (ASR).</p>

Symptômes	Cause probable	Action recommandée
<p><b>3.</b> La commande numérique fonctionne normalement mais il n'y a pas de débit d'eau en provenance des raccords de la douche.</p>	<p><b>A.</b> Les sorties de la vanne pourraient être obstruées.</p> <p><b>B.</b> Les raccords/les parties avant du vaporisateur pourraient être obstrués.</p> <p><b>C.</b> Les alimentations en eau chaude et en eau froide ne sont pas ouvertes.</p> <p><b>D.</b> La mémoire de la vanne devra peut-être être réinitialisée.</p> <p><b>E.</b> Erreur système.</p> <p><b>F.</b> Si aucune des mesures recommandées pour les problèmes susmentionnés ne rectifie le problème, il sera nécessaire de réparer la commande ou la vanne.</p>	<p><b>A.</b> Inspecter les sorties de la vanne afin d'y détecter des blocages ou des débris éventuels. Nettoyer les grilles de sortie.</p> <p><b>B.</b> Nettoyer les parties avant du vaporisateur et toutes les grilles dans les raccords.</p> <p><b>C.</b> Ouvrir l'alimentation en eau vers la vanne.</p> <p><b>D.</b> Déconnecter et reconnecter l'alimentation électrique de la vanne en provenance de la prise électrique.</p> <p><b>E.</b> Examiner la commande pour y rechercher un code d'erreur. Consulter le guide du propriétaire de la commande numérique pour y rechercher un diagnostic de code d'erreur.</p> <p><b>F.</b> S'adresser au représentant technique agréé de Kohler Co (ASR).</p>
<p><b>4.</b> La température maximale de mélange est trop chaude ou trop froide.</p>	<p><b>A.</b> Réglage de température maximale incorrect.</p> <p><b>B.</b> Si la mesure recommandée ci-dessus ne rectifie pas le problème, il sera nécessaire de réparer la commande ou la vanne.</p>	<p><b>A.</b> Consulter le guide du propriétaire de la commande numérique pour obtenir des instructions sur le réglage de la température maximale.</p> <p><b>B.</b> S'adresser au représentant technique agréé de Kohler Co (ASR).</p>
<p><b>5.</b> Débit continu.</p>	<p><b>A.</b> Le système ne s'éteint pas.</p>	<p><b>A.</b> Couper l'eau et l'alimentation électrique et s'adresser à un représentant technique agréé de Kohler Co. (ASR).</p>
<p><b>6.</b> Les sorties d'eau ne fournissent que de l'eau froide.</p>	<p><b>A.</b> Soit l'alimentation en eau chaude n'est pas ouverte, soit elle n'est pas connectée à l'entrée de la vanne.</p> <p><b>B.</b> L'entrée de l'eau chaude est obstruée.</p> <p><b>C.</b> L'alimentation en eau chaude est épuisée.</p> <p><b>D.</b> Si aucune des mesures recommandées pour les problèmes susmentionnés ne corrigent la défaillance, il sera nécessaire de réparer la vanne.</p>	<p><b>A.</b> Vérifier si l'alimentation en eau chaude est ouverte et si elle est connectée à l'entrée de la vanne.</p> <p><b>B.</b> Inspecter la grille d'entrée de l'eau chaude pour y rechercher une obstruction. Nettoyer ou remplacer la grille de l'orifice d'entrée.</p> <p><b>C.</b> Attendre que le chauffe-eau atteigne la température voulue.</p> <p><b>D.</b> S'adresser au représentant technique agréé de Kohler Co (ASR).</p>

Symptômes	Cause probable	Action recommandée
<p>7. Fluctuation ou réduction du débit. La vanne fonctionne correctement.</p>	<p><b>A.</b> Les entrées de la vanne pourraient être obstruées.</p> <p><b>B.</b> Les raccords/les parties avant du vaporisateur pourraient être obstrués.</p> <p><b>C.</b> La pression de sortie d'eau est faible.</p> <p><b>D.</b> Fluctuation de la pression d'alimentation.</p> <p><b>E.</b> Les températures d'alimentation en eau ne sont pas comprises dans la plage recommandée.</p>	<p><b>A.</b> Inspecter les entrées de la vanne afin d'y rechercher des blocages ou des débris éventuels. Nettoyer les grilles d'entrée. Se référer à la section « Nettoyer les grilles d'entrée ».</p> <p><b>B.</b> Nettoyer les parties avant du vaporisateur et toutes les grilles dans les raccords.</p> <p><b>C.</b> Vérifier que le débit est au débit minimum ou au-dessus du débit minimum requis. Se référer à la section « Spécifications ».</p> <p><b>D.</b> Vérifier que les pressions d'entrée dynamiques sont conformes aux spécifications. Se référer à la section « Spécifications ».</p> <p><b>E.</b> Vérifier si les températures de l'eau d'arrivée sont comprises dans la plage recommandée.</p>
<p>8. Dérive de température mixte ou cycle de température.</p>	<p><b>A.</b> Fluctuation de la température d'arrivée d'eau.</p> <p><b>B.</b> Différence de pression supérieure à 5 psi (34,5 kPa) entre les conduites d'alimentation en eau chaude et eau froide.</p> <p><b>C.</b> Si aucune des mesures recommandées pour les problèmes susmentionnés ne corrigent le problème, il sera nécessaire de réparer la vanne.</p>	<p><b>A.</b> Vérifier les différentiels de température d'entrée et s'assurer qu'ils sont suffisants. Se référer à la section « Spécifications ».</p> <p><b>B.</b> Installer des régulateurs de pression pour amener les alimentations à 5 psi (34,5 kPa) entre elles.</p> <p><b>C.</b> S'adresser au représentant technique agréé de Kohler Co (ASR).</p>
<p>9. Fuite d'eau en provenance de la vanne. ATTENTION : Risque de blessures ou d'endommagement du produit. Couper l'alimentation électrique principale et l'alimentation en eau.</p>	<p><b>A.</b> Les connexions ne sont pas sécurisées.</p> <p><b>B.</b> Les joints sont usés ou endommagés.</p> <p><b>C.</b> Fuite interne.</p>	<p><b>A.</b> Inspecter toutes les connexions. Effectuer des ajustements au besoin.</p> <p><b>B.</b> Commander un kit d'entretien de joints et remplacer tous les joints.</p> <p><b>C.</b> Le dispositif nécessite une remise en état. S'adresser au représentant technique agréé de Kohler Co (ASR).</p>
<p>10. Eau chaude uniquement, la vanne s'arrête.</p>	<p><b>A.</b> Les conduites d'eau chaude et d'eau froide sont inversées.</p>	<p><b>A.</b> Échanger les connexions d'alimentation en eau chaude et en eau froide. Vérifier que l'alimentation en eau chaude est connectée à l'entrée « Hot » (Chaud) et que l'alimentation en eau froide est connectée à l'entrée « Cold » (Froid).</p>

### Comprend l'ID FCC : SH6MDBT42Q, Z64-CC3235MOD

Ce dispositif est conforme à la section 15 des réglementations de la FCC. L'utilisation est assujettie aux deux conditions suivantes : (1) Ce dispositif ne peut pas créer un brouillage nuisible, et (2) ce dispositif doit accepter tous les brouillages captés, y compris les brouillages qui pourraient créer un fonctionnement non souhaité.

Tous changements ou modifications non expressément approuvés par la partie responsable garantissant la conformité pourraient annuler le droit à l'utilisateur d'opérer cet équipement.

Cet équipement a été testé et a été considéré être conforme aux limitations pour un dispositif numérique de classe B, selon la section 15 des réglementations FCC. Ces limites sont conçues pour fournir une protection raisonnable contre tout brouillage nuisible dans une installation résidentielle. Ce dispositif génère, utilise et peut émettre une énergie de radiofréquence et, s'il n'est pas installé et utilisé conformément aux instructions, pourrait créer des brouillages nuisibles aux communications par radio. Cependant, il n'est pas garanti qu'aucun brouillage n'aura lieu dans une installation particulière. Si cet équipement cause des brouillages radio nuisibles à la réception de radio ou de télévision, ce qui peut être déterminé en éteignant l'équipement et en le rallumant, l'utilisateur est encouragé à essayer de rectifier ce brouillage par l'un des moyens suivants :

- Réorienter ou changer l'emplacement de l'antenne de réception.
- Augmenter la séparation entre l'équipement et le récepteur.
- Brancher l'équipement sur une prise d'un circuit différent de celui auquel le récepteur est connecté.
- Consulter le concessionnaire ou un technicien radio/TV expérimenté pour obtenir de l'assistance.

### Avertissement d'exposition RF

Cet émetteur et son antenne sont conformes aux limites d'exposition RF de la FCC pour le public général/l'exposition non contrôlée. Ce dispositif ne doit pas être co-localisé ou opéré avec toute autre antenne ou tout autre émetteur. Ce dispositif doit être utilisé en laissant une distance minimale de 7-7/8 po (200 mm) entre le radiateur et votre corps.

### Comprend l'IC : 8017A-MDBT42Q, 451I-CC3235MOD

Ce dispositif comprend un ou plusieurs émetteurs/récepteurs exemptés de licence conformes aux normes RSS d'exemption de licence de Innovation, Science and Economic Development Canada. L'utilisation est assujettie aux deux conditions suivantes : (1) Ce dispositif ne peut pas créer de brouillage, et (2) ce dispositif doit accepter tous les brouillages, y compris ceux qui pourraient créer un fonctionnement non souhaité dudit dispositif.

Cet émetteur et son antenne sont conformes aux limites d'exposition RF d'Industry Canada pour le public général/l'exposition non contrôlée.

Cet appareillage numérique de classe B est conforme à la norme canadienne ICES-003.

# Instrucciones de instalación

## Válvula digital de 4 puertos/6 puertos

E  
S

### Gracias por elegir productos KOHLER

---

¿Necesita ayuda? Comuníquese con nuestro Centro de Atención al Cliente.

- EE. UU./Canadá: 1-800-4KOHLER (1-800-456-4537) México: 001-800-456-4537
- **Piezas de repuesto:** [kohler.com/serviceparts](https://kohler.com/serviceparts)
- **Cuidado y limpieza:** [kohler.com/clean](https://kohler.com/clean)
- **Patentes:** [kohlercompany.com/patents](https://kohlercompany.com/patents)

### Garantía







---

A este producto lo cubre la **garantía limitada de cinco años para griferías, válvulas y controles electrónicos de KOHLER®**, que puede consultarse en [kohler.com/warranty](https://kohler.com/warranty). Comuníquese con el Centro de Atención al Cliente para obtener una copia impresa de los términos de la garantía.



## INSTRUCCIONES IMPORTANTES

---

-  **AVISO:** Al usar aparatos eléctricos siempre cumpla las precauciones básicas, como las siguientes:
-  **PELIGRO: Riesgo de sacudidas eléctricas.** Solo conecte a un circuito protegido por un interruptor de circuito con pérdida a tierra (GFCI)\*.
-  **AVISO: Riesgo de sacudidas eléctricas.** Un electricista capacitado debe tender todo el cableado eléctrico para el producto. La instalación incorrecta crea riesgo eléctrico, y es posible que no satisfaga los códigos locales eléctricos y de construcción.
-  **AVISO: Riesgo de sacudidas eléctricas.** Desconecte el suministro eléctrico antes de dar servicio.
-  **AVISO: Las modificaciones no autorizadas pueden causar bajo rendimiento.** No realice modificaciones en el producto que no se indiquen en esta guía, ya que esto podría afectar negativamente el rendimiento del producto.
-  **AVISO: Riesgo de lesiones personales o de daños a la propiedad.** Antes de comenzar la instalación, lea con atención todas las instrucciones.

**AVISO:** Deje acceso de servicio a la válvula, sin restricciones. Deje acceso para dar servicio a la válvula, a la unidad de suministro eléctrico y al control digital. Este acceso debe quedar justo junto a la válvula. Consulte la información en el diagrama de instalación.

Cumpla todos los códigos locales de electricidad y de plomería.

\*Fuera de Estados Unidos y Canadá es posible que este se conozca como dispositivo de corriente residual (RCD).

## Especificaciones

### Presión

Presión estática máxima	145 psi, 1000 kPa, 10 barías
Presión dinámica máxima	125 psi, 860 kPa, 8,6 barías
Diferencial de presión de suministro*	5 psi, 34 kPa, 0,34 barías máx. (se recomiendan presiones iguales)
Tasa de flujo mínima (menos de 72 psi de presión dinámica, 500 kPa de presión de mantenimiento)	0,9 gal/min (3,5 l/min)
Mínima tasa de flujo (más de 72 psi de presión dinámica, 500 kPa de presión de mantenimiento)	1,4 gal/min (5,25 l/min)
Tasa de flujo máxima	9,5 gal/min (36 l/min) por salida, 22,5 gal/min (85 l/min) total a 45 psi, 310 kPa, 3,1 barías

Este producto es para ser usado con cabezas de ducha de 0,9 gal/min (3,5 l/min) nominales o mayores.

### Temperatura

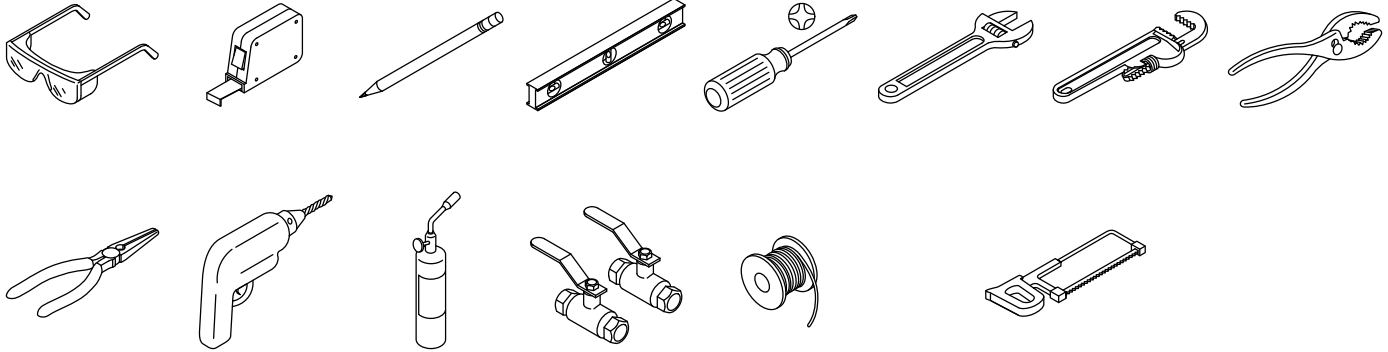
Temperatura programable	Máxima 120 °F (49 °C), mínima 59 °F (15 °C) <i>También puede seleccionarse agua fría.</i>
Temperatura predeterminada en el encendido inicial	100 °C (38 °F)
Temperatura de entrada de agua fría	34 °F (1 °C) a 80 °F (29 °C), y 3,6 °F (2 °C) menos que la temperatura programada de salida
Temperatura de entrada de agua caliente	120 °F (49 °C) a 149 °F (65 °C)
Estabilidad de temperatura a condiciones recomendadas de suministro	+/- 1,6 °F (1 °C) a 86 °F (30 °C) a 118,4 °F (48 °C)
Temperatura ambiente	Más de 34 °F (1 °C), máx. 122 °F (50 °C)
Humedad relativa máxima	95 % sin condensación

### Sistema eléctrico

Capacidad eléctrica nominal	120 V, 1,0 A, 60 Hz
-----------------------------	---------------------

\*En aplicaciones comerciales en las que existe una gran diferencia entre las presiones del suministro de agua caliente y fría, o si se anticipan fluctuaciones frecuentes en cualquiera de las líneas de suministro, se deben instalar reguladores de presión.

## Herramientas y materiales



3/4 pulg

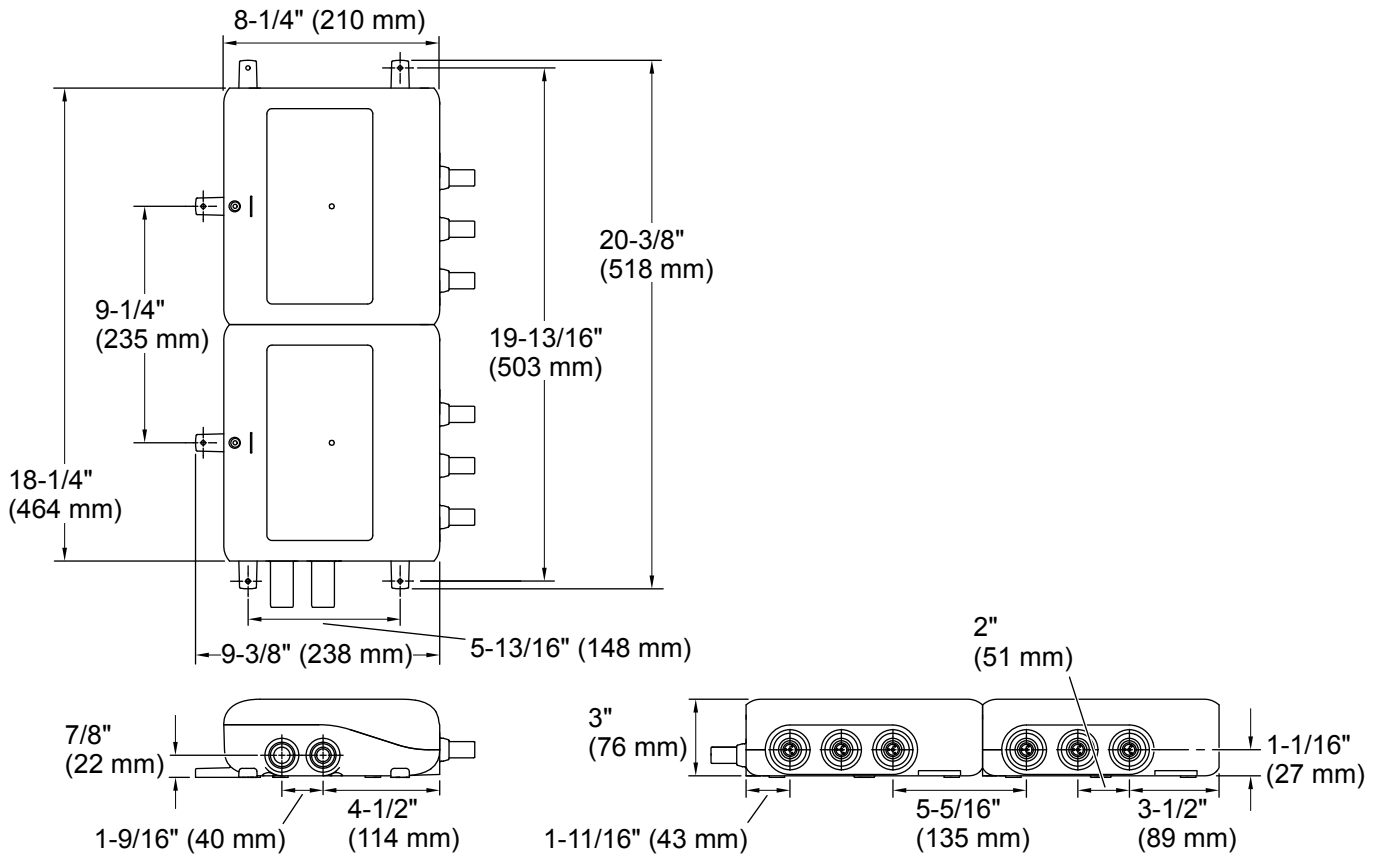
Suelda

Sierra para metales o cortatubos

### Más:

- (2) Conectores de unión de 3/4 pulg para entradas de válvulas
- Madera y materiales para construir la estructura de madera
- Tamaño recomendado para tubos de entrada: 3/4 pulg cobre/CPVC o 1 pulg PEX
- El tubo de salida recomendado depende del requisito de puertos:
  - Menos de 5 gal/min: 1/2 pulg cobre/CPVC/PEX,
  - Más de 5 gal/min: 1/2 pulg cobre/CPVC o 3/4 pulg PEX

## Antes de comenzar



**⚠ PRECAUCIÓN: Riesgo de daños al producto.** No aplique calor excesivo cerca de la válvula. Esta válvula tiene componentes de plástico y de goma que se funden si se les aplica calor directamente.

**AVISO:** No instale la válvula donde la temperatura pueda exceder 122 °F (50 °C). La válvula y el suministro eléctrico integrado tienen capacidad nominal para funcionar a temperaturas de hasta 122 °F (50 °C).

**¡IMPORTANTE!** Antes de comenzar la instalación, lea estas instrucciones y determine la ubicación de todos los componentes que se requieren.

Esta válvula no ha sido diseñada para una sola salida, a menos que se vinculen 2 salidas en un llenador de bañera de alto flujo.

Para obtener el funcionamiento óptimo, se recomienda que se utilicen líneas de suministro de agua dedicadas.

Si el suministro de agua está a una distancia significativa de la válvula, aumente el tamaño de tubo de suministro de agua en 1/4 de pulgada, para compensar las pérdidas en la tubería. De ser necesario, hable con su plomero.

De ser posible, instale la válvula antes de instalar el control digital.

De ser posible, haga circular agua por todas las tuberías antes de instalar la válvula. Si se hace circular agua por las tuberías después de haber instalado la válvula, limpie los filtros de entrada antes de utilizar el sistema.

Un electricista capacitado debe instalar un tomacorriente de 120 V con un GFCI, dentro de la estructura de postes, arriba de la válvula.

Si es posible, instale el tomacorriente antes de instalar la válvula.

Esta válvula cumple las normas ASME A112.18.1/CSA B125.1, ASSE 1016/ASME A112.18.1016/CSA B125.16, UL1951. Esta válvula está listada en IAPMO/cUPC, y en UL.

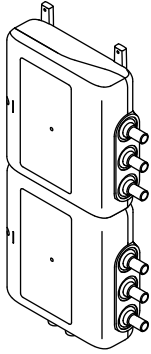
La válvula digital está equipada con tecnología WiFi y Bluetooth<sup>®</sup>, lo que permite la comunicación mediante la aplicación KOHLER Konnect<sup>®</sup> o un control remoto inalámbrico.

La marca con la palabra BLUETOOTH<sup>®</sup> y los logotipos son marcas comerciales registradas de Bluetooth SIG, Inc. y el uso de dichas marcas por Kohler Co. se hace mediante permiso. Las demás marcas y los demás nombres comerciales son de sus respectivos propietarios.

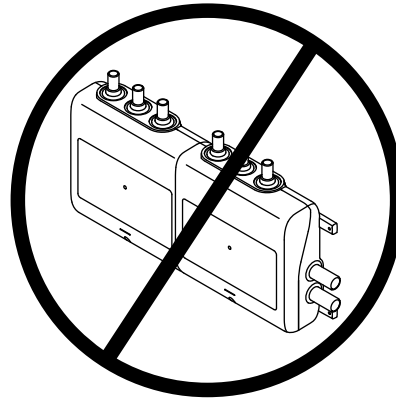
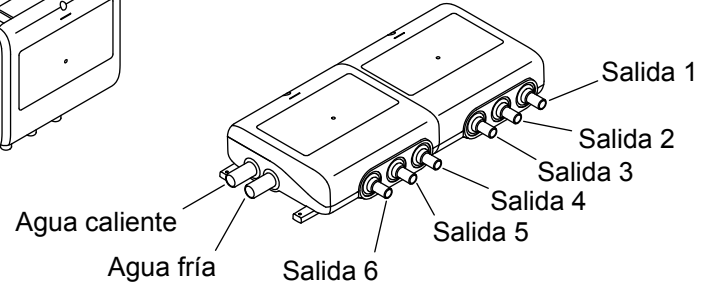
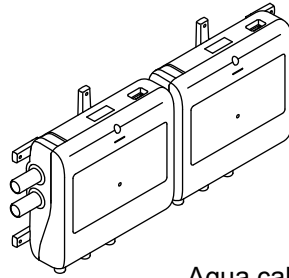
# Configuraciones de montaje

ES

Montaje vertical



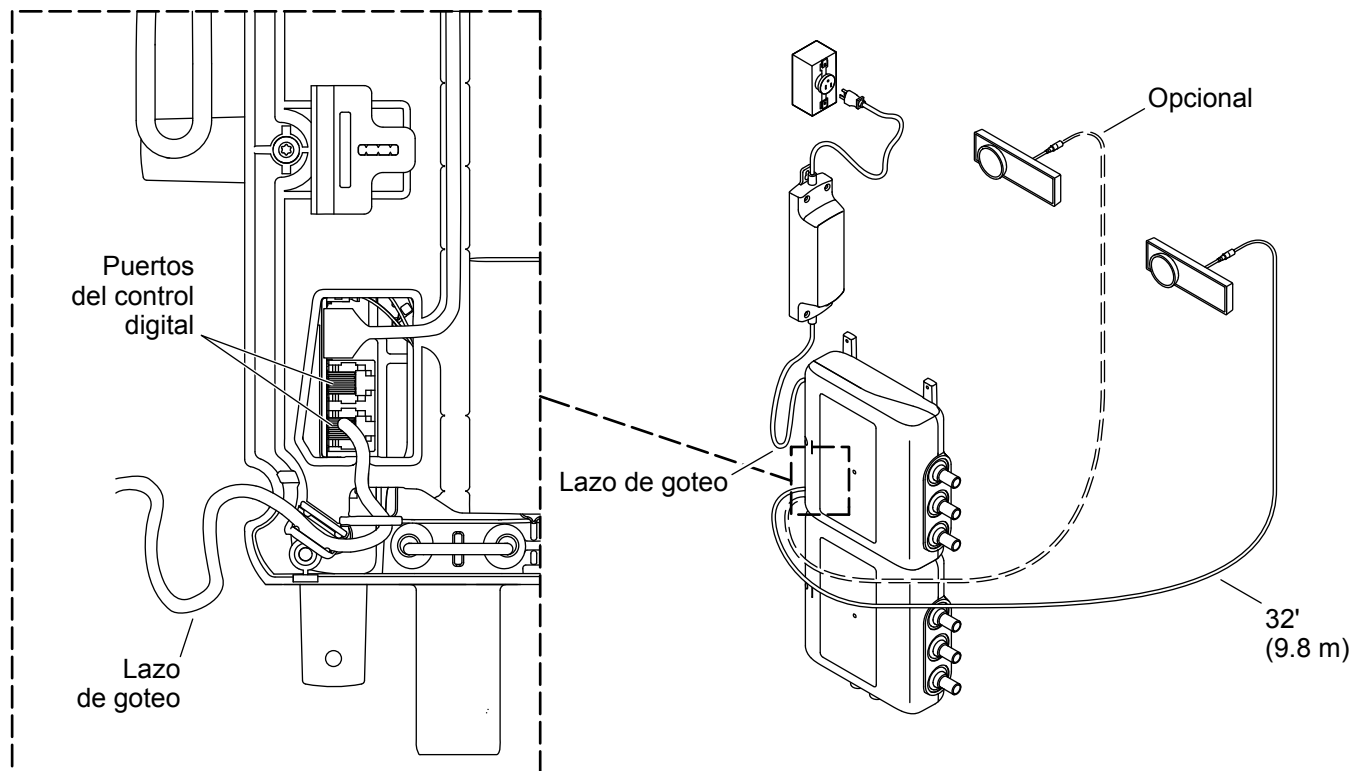
Montaje horizontal



**⚠ PRECAUCIÓN: Riesgo de daños al producto.** No instale la válvula con los puertos de entrada o de salida colocados arriba del producto. Para optimizar el flujo de agua, los puertos deben orientarse como se indica.

**NOTA:** Arriba se muestran las opciones de montaje vertical y horizontal.

## 1. Planee la ubicación de los componentes

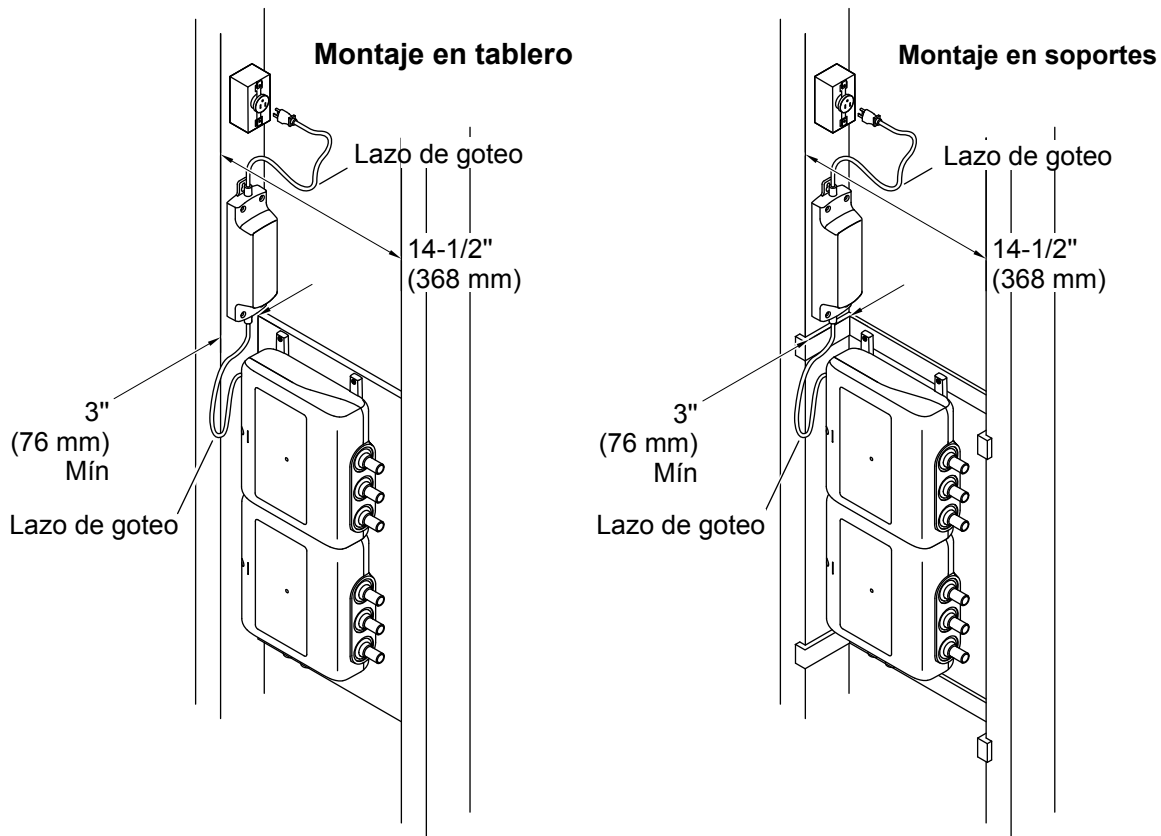


**NOTA:** Se requiere solo un control digital dentro del espacio de la ducha. Afuera del área de la ducha se puede instalar un segundo control digital o un control remoto de encendido y apagado.

**NOTA:** Su control digital puede ser distinto del ilustrado; sin embargo, el procedimiento de instalación de la válvula sigue siendo el mismo. Para instalar el control digital, siga las instrucciones incluidas con el control digital.

- Instale un tomacorriente de 120 V con GFCI en la estructura de postes, cerca de la válvula. Ubique el tomacorriente sobre la válvula y la fuente de suministro eléctrico.

## 2. Prepare el sitio



**¡IMPORTANTE!** La fuente de suministro eléctrico debe instalarse dentro de la estructura de postes de madera, cerca de la válvula. Verifique que la fuente de suministro eléctrico quede instalada arriba de la válvula y abajo del tomacorriente.

**AVISO:** No instale la válvula donde la temperatura pueda exceder 122 °F (50 °C). La válvula y el suministro eléctrico integrado tienen capacidad nominal para funcionar a temperaturas de hasta 122 °F (50 °C).

**AVISO:** Este producto puede ser instalado en un tablero de refuerzo rígido o en soportes telescópicos (no se incluyen).

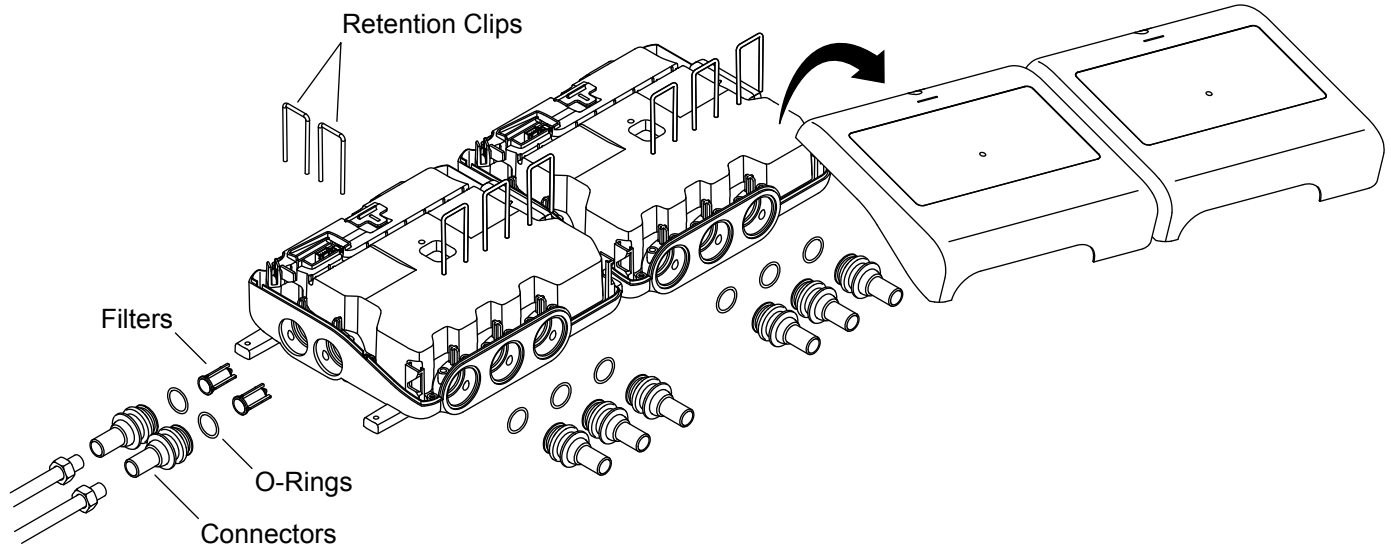
**NOTA:** Se ilustra una instalación horizontal dentro de una cavidad formada por postes de madera. La válvula también se puede montar verticalmente o sobre una superficie horizontal. Consulte la sección "Configuraciones de montaje".

**NOTA:** Este producto está diseñado para una cavidad de maderos de 14-1/2" (368 mm), como mínimo. Verifique que haya un espacio libre mínimo de 3" (76 mm) de profundidad.

- Instale un tomacorriente de 120 V con GFCI en la estructura de postes, cerca de la válvula. Ubique el tomacorriente sobre la válvula y la fuente de suministro eléctrico.



### 3. Haga las conexiones



**⚠ PRECAUCIÓN: Riesgo de daños al producto.** No aplique calor excesivo cerca de la válvula, ni fundente ni ácidos directamente en la válvula. Esta válvula tiene componentes de plástico y de goma que se funden si se les aplica calor directamente.

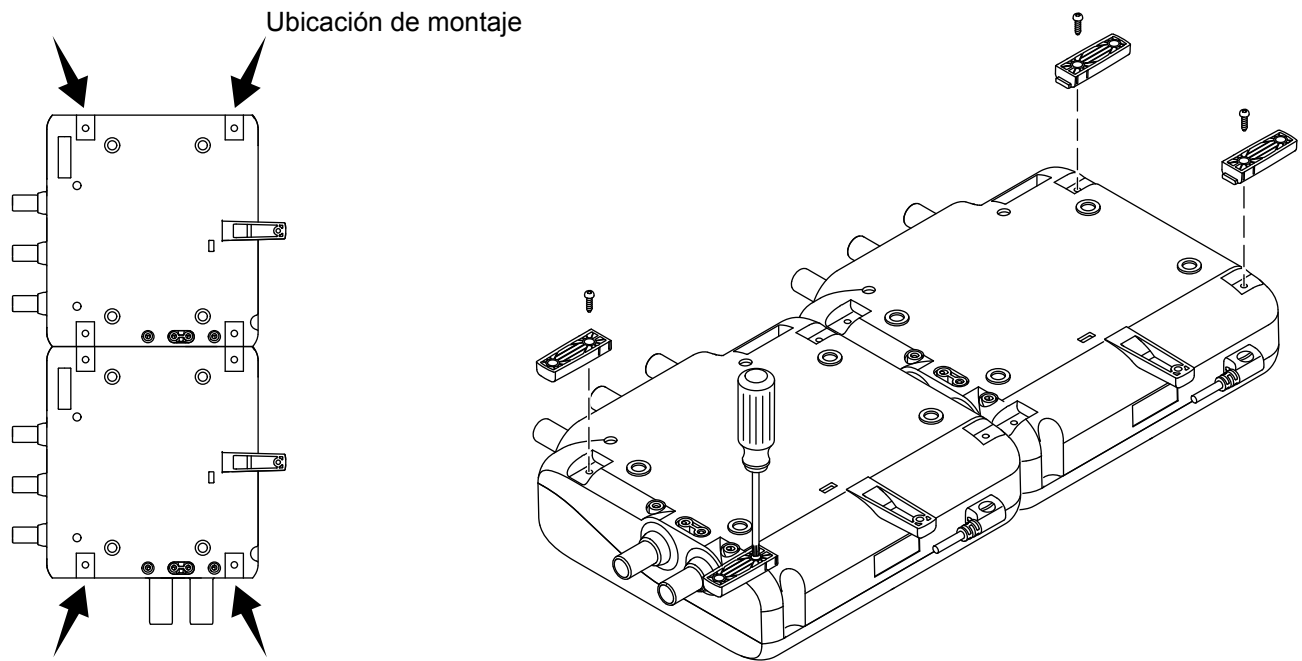
**NOTA:** No tape ningún puerto. Los puertos que no estén siendo usados deben estar interconectados entre sí.

**NOTA:** No use tipos de fundente de amoníaco para soldar juntas, ya que pueden causar corrosión.

	Válvula de 4 salidas	Válvula de 6 salidas
Zona 1	Salidas 1 y 2	Salidas 1, 2 y 3
Zona 2	Salidas 3 y 4	Salidas 4, 5 y 6

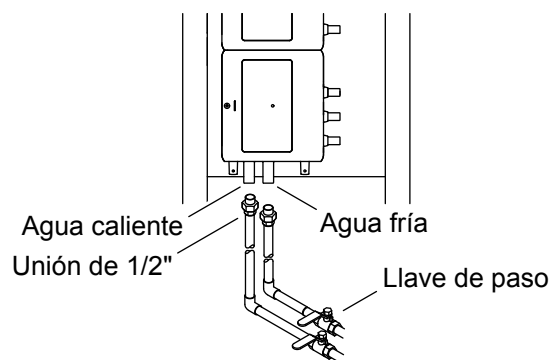
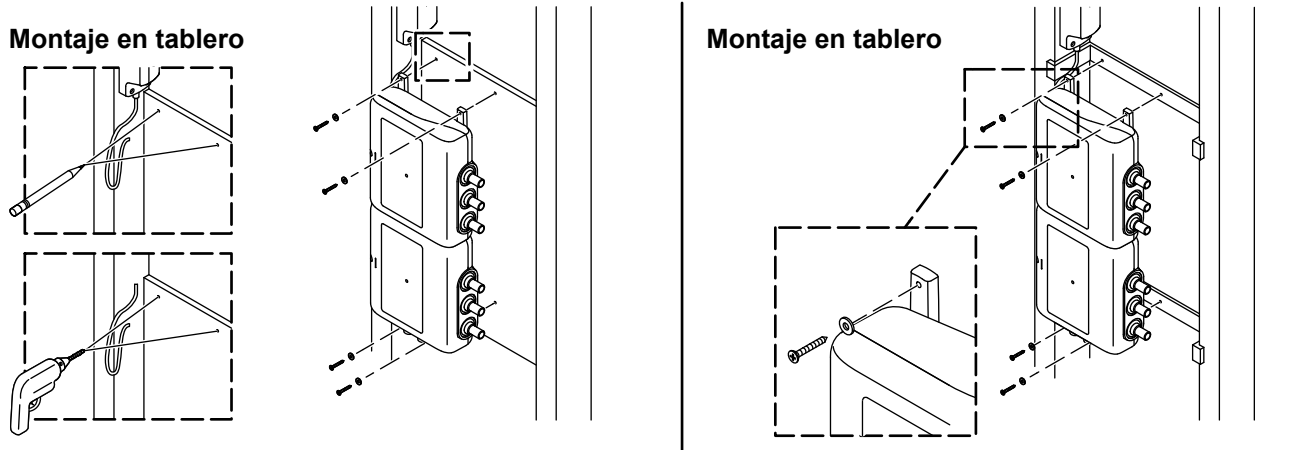
- Desenrosque los tornillos que sujetan la cubierta a la válvula. Retire la cubierta y colóquela a un lado.
- Levante y retire los clips de retención.
- Retire los conectores.
- Retire los arosellos.
- Con una pinzas de punta de aguja retire los filtros de residuos de las válvulas de agua caliente y fría.
- Deslice el conector de cobre o de latón en el tubo de entrada/salida.
- Suelde el tubo de entrada/salida a los conectores de cobre o latón. Deje enfriar por completo.
- Vuelva a instalar el arosello en el tubo de entrada/salida.
- Solo en tubos de entrada:** Introduzca los filtros de residuos en el extremo del tubo de entrada.
- Vuelva a instalar los conectores a la válvula. Fije con los clips de retención. Verifique que los clips estén insertados por completo.
- Repita el procedimiento con todos los tubos de entrada/salida, según sea necesario.
- Vuelva a instalar la cubierta, y fíjela con los tornillos.

## 4. Instale las patas de montaje



- Gire la válvula para obtener acceso a los lugares para las patas de montaje.
- Fije las patas de montaje con los tornillos que se incluyen.

## 5. Instale la válvula

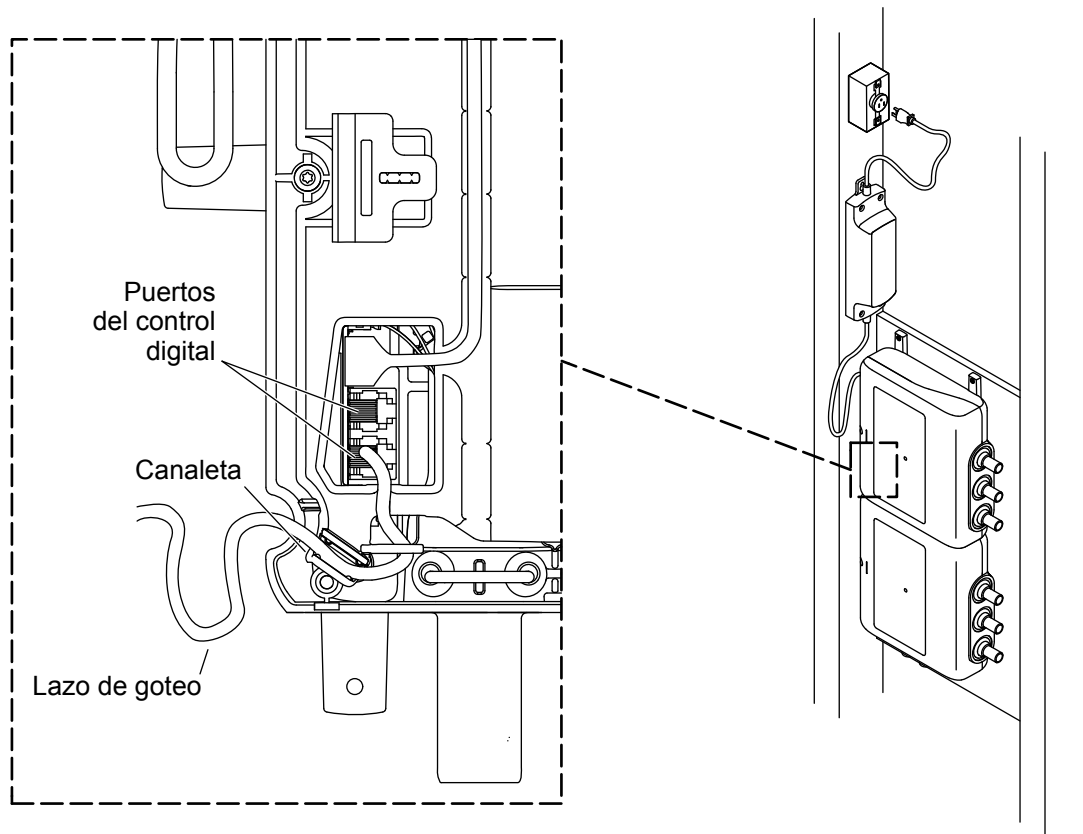


- Tienda líneas dedicadas de suministro de agua de 3/4 pulg (1 pulg PEX). Con uniones, instale segmentos desmontables de tubería a las entradas de la válvula para permitir el acceso a la limpieza periódica de los filtros de entrada.
- Instale llaves de paso en las líneas de suministro anteriores a la válvula.
- Sostenga la válvula en el lugar de instalación. Verifique que la válvula ajuste bien y que las salidas queden accesibles. Marque los lugares para los orificios.
- Taladre los orificios con anticipación.
- Fije la válvula con las arandelas y los tornillos. **¡No apriete demasiado!**

**¡IMPORTANTE!** Al tender la tubería, los números marcados en la salida de cada válvula deben corresponder al conector de ducha adecuado, para que funcionen correctamente las experiencias de duchas personalizadas o programadas anticipadamente. Consulte más información en la guía del propietario.

- Tienda la tubería desde las salidas de la válvula hasta los conectores de ducha apropiados, de acuerdo a los tamaños de conectores indicados.
- Conecte las líneas de suministro de agua fría y caliente a las entradas correspondientes de la válvula. El suministro de agua caliente es rojo y está marcado con la palabra "HOT", y el de agua fría es azul y está marcado con la palabra "COLD".
- Fije todas las tuberías a la estructura de postes.

## 6. Conecte el control digital

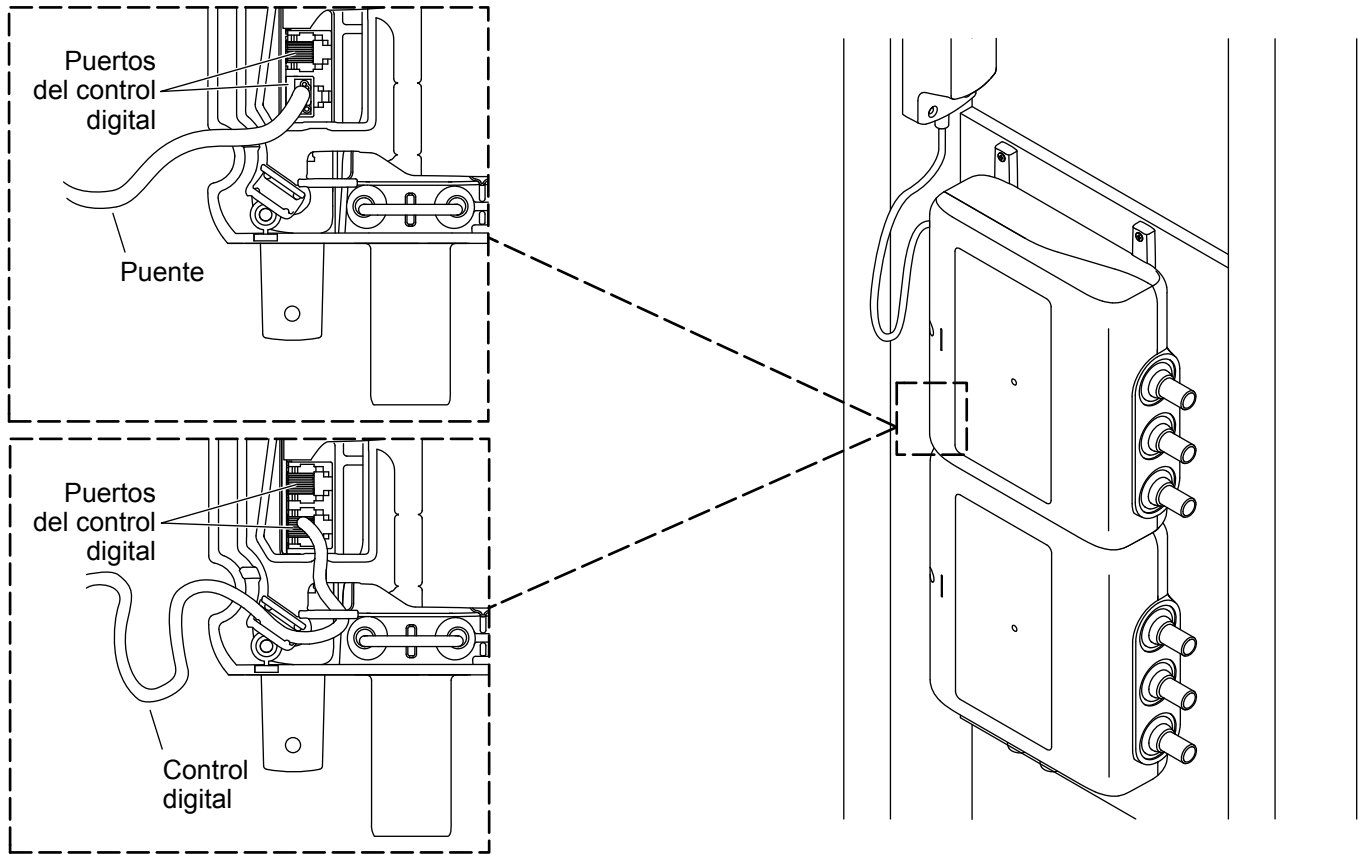


**AVISO:** No enchufe el cable de suministro eléctrico mientras no estén conectados todos los cables de los controles digitales.

**¡IMPORTANTE!** Forme lazos de goteo en todos los cables y cordones.

- En la pared tienda el o los cables para el o los controles digitales, desde el lugar de la válvula hasta los lugares de instalación de los controles digitales.
- Si todavía no instala el o los controles digitales, instálelos de acuerdo a las instrucciones adjuntas al producto.
- Retire la cubierta para conectar el o los cables del o de los controles digitales a la válvula.
- Tienda los cables en la canaleta, para evitar pellizcarlos.
- Vuelva a colocar la cubierta.
- Enchufe el cable de suministro eléctrico en la válvula.
- Verifique que haya suministro eléctrico al tomacorriente de 120 V protegido con GFCI\*.
- Enchufe el cable eléctrico al tomacorriente.

## 7. Verificación de la instalación



### Verificación de fugas sin un control digital

- Desconecte el suministro eléctrico de la válvula.
- Desenrosque el tornillo para quitar la cubierta.
- Conecte el cable puente al puerto del control digital, y luego vuelva a conectar el suministro eléctrico.
- Espere 10 segundos para que la válvula se inicialice y que las salidas se activen.
- Revise que no haya fugas en ninguna de las conexiones.
- Desconecte el suministro eléctrico. Retire el cable puente.
- Vuelva a colocar la cubierta. Fije con el tornillo.
- Vuelva a conectar el suministro eléctrico a la válvula.

### Comprobación de buen funcionamiento (requiere un control digital instalado)

**NOTA:** Para obtener más información sobre el uso del control digital, consulte la guía del propietario del control digital.

- Abra las salidas de agua mediante el control digital.
- Revise que no haya fugas, y haga los ajustes necesarios.

### Ejercite la válvula (requiere un control digital instalado)

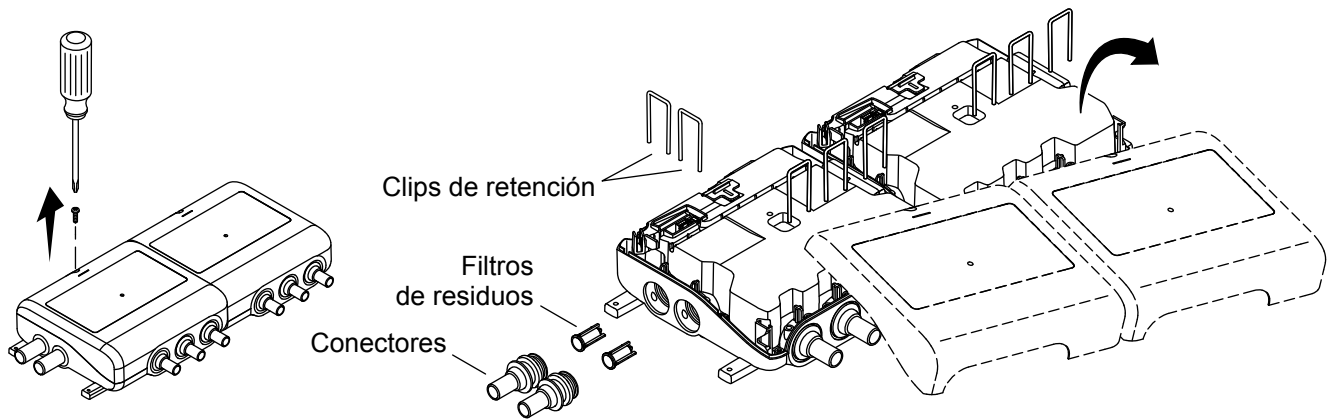
**NOTA:** Válvulas recientemente instaladas o usadas infrecuentemente deben ejercitarse antes de establecer la temperatura máxima.

**NOTA:** La temperatura máxima del agua a las salidas se limita a 120 °F (49 °C). La válvula se apaga automáticamente si la temperatura supera los 120 °F (49 °C).

- Verifique que el agua fría y el agua caliente estén conectadas a las entradas correctas de la válvula.
- Mediante el control digital ajuste varias veces la temperatura de fría a caliente y otra vez a fría, y pause 30 segundos en cada extremo.

E  
S

## Limpie los filtros de residuos



**⚠ PRECAUCIÓN: Riesgo de lesiones personales.** Es posible que la válvula contenga agua caliente. Tenga cuidado al drenar agua residual.

- Cierre el suministro de agua a ambas entradas.
- Abra la ducha unos cuantos segundos para liberar la presión y verificar que el suministro de agua haya sido aislado.
- Desconecte el suministro eléctrico.
- Desenrosque los tornillos para quitar las cubiertas.
- Levante y retire los clips de retención.
- Retire los conectores. El arosello y la rejilla pueden quedar unidos al extremo del conector.
- Si la rejilla permanece dentro del conector, con unas pinzas de punta de aguja retire los filtros de residuos de los conectores.
- Limpie los filtros para eliminar residuos y suciedad.

**NOTA:** La válvula de retención está dentro del producto, y no requiere servicio de rutina. Si la válvula de retención debe ser reemplazada, use un objeto sin filo para sacar la válvula de retención del producto y reemplazarla.

- Vuelva a ensamblar las conexiones de entrada.
- Vuelva a colocar las cubiertas. Fije con los tornillos que se incluyen.

## Resolución de problemas

 **AVISO: Riesgo de sacudidas eléctricas.** Desconecte el suministro eléctrico antes de dar servicio.

**AVISO:** Un representante de servicio autorizado (ASR) de KOHLER debe dar mantenimiento a la válvula.

Esta guía de resolución de problemas está diseñada únicamente como ayuda general. Si tiene preguntas acerca de servicio e instalación, llame al 1-800-4KOHLER.

Síntomas	Causa probable	Acción recomendada
1. La válvula no enciende.	<p><b>A.</b> La fuente de suministro eléctrico no está enchufada al tomacorriente.</p> <p><b>B.</b> La fuente de suministro eléctrico no está enchufada en la válvula.</p> <p><b>C.</b> Es posible que las conexiones de cables del control digital estén sueltas o desconectadas.</p> <p><b>D.</b> El interruptor de circuito se ha disparado.</p> <p><b>E.</b> Puede ser necesario restablecer la memoria de la válvula.</p> <p><b>F.</b> Si ninguna de las acciones recomendadas para los problemas anteriores corrige los síntomas, el control digital o la válvula requieren servicio.</p>	<p><b>A.</b> Enchufe la fuente de suministro eléctrico al tomacorriente.</p> <p><b>B.</b> Enchufe la fuente de suministro eléctrico a la válvula.</p> <p><b>C.</b> Revise todas las conexiones de cables del control digital, conecte de ser necesario.</p> <p><b>D.</b> Restablezca (reset) el interruptor de circuito.</p> <p><b>E.</b> Desconecte y vuelva a conectar el suministro eléctrico a la válvula desde el tomacorriente.</p> <p><b>F.</b> Consulte a su representante de servicio autorizado (ASR) de Kohler Co.</p>
2. El control digital está iluminado, pero el sistema no se activa.	<p><b>A.</b> Es posible que las conexiones de cables del control digital estén sueltas.</p> <p><b>B.</b> Es posible que sea necesario restablecer la válvula.</p> <p><b>C.</b> Si la acción recomendada anteriormente no corrige el síntoma, el control digital o la válvula requieren servicio.</p>	<p><b>A.</b> Revise todas las conexiones de cables del control digital, conecte de ser necesario.</p> <p><b>B.</b> Desconecte y vuelva a conectar el suministro eléctrico a la válvula desde el tomacorriente.</p> <p><b>C.</b> Consulte a su representante de servicio autorizado (ASR) de Kohler Co.</p>



Síntomas	Causa probable	Acción recomendada
<p>3. El control digital funciona normalmente, pero no fluye agua de los componentes de la ducha.</p>	<p><b>A.</b> Es posible que las salidas de la válvula estén obstruidas.</p> <p><b>B.</b> Es posible que los componentes o que las placas exteriores del rociador estén obstruidas.</p> <p><b>C.</b> Los suministros de agua fría y caliente no están abiertos.</p> <p><b>D.</b> Puede ser necesario restablecer la memoria de la válvula.</p> <p><b>E.</b> Error del sistema.</p> <p><b>F.</b> Si ninguna de las acciones recomendadas para los problemas anteriores corrige los síntomas, el control digital o la válvula requieren servicio.</p>	<p><b>A.</b> Verifique que no haya suciedad ni obstrucciones en las salidas de la válvula. Limpie las rejillas de salida.</p> <p><b>B.</b> Limpie las placas exteriores del rociador y las rejillas en los componentes.</p> <p><b>C.</b> Abra el suministro de agua a la válvula.</p> <p><b>D.</b> Desconecte y vuelva a conectar el suministro eléctrico a la válvula desde el tomacorriente.</p> <p><b>E.</b> Revise si el control digital tiene un código de error. Consulte el diagnóstico de códigos de error en la guía del propietario del control digital.</p> <p><b>F.</b> Consulte a su representante de servicio autorizado (ASR) de Kohler Co.</p>
<p>4. La temperatura máxima de la mezcla está muy caliente o muy fría.</p>	<p><b>A.</b> Valor establecido incorrecto de temperatura máxima.</p> <p><b>B.</b> Si la acción recomendada anteriormente no corrige el síntoma, el control digital o la válvula requieren servicio.</p>	<p><b>A.</b> Consulte instrucciones de ajuste de temperatura máxima en la guía del propietario del control digital.</p> <p><b>B.</b> Consulte a su representante de servicio autorizado (ASR) de Kohler Co.</p>
<p>5. Flujo continuo.</p>	<p><b>A.</b> El sistema no se apaga.</p>	<p><b>A.</b> Cierre el suministro de agua y desconecte la fuente de suministro eléctrico, y comuníquese con su representante de servicio autorizado (ASR) de Kohler Co.</p>
<p>6. Solamente agua fría fluye de las salidas.</p>	<p><b>A.</b> El suministro de agua caliente no está abierto o no está conectado a la entrada de la válvula.</p> <p><b>B.</b> La entrada de agua caliente está obstruida.</p> <p><b>C.</b> El suministro de agua caliente se ha agotado.</p> <p><b>D.</b> Si ninguna de las acciones recomendadas para los problemas anteriores corrige el síntoma, la válvula requiere servicio.</p>	<p><b>A.</b> Verifique que el suministro de agua caliente esté abierto y conectado a la entrada de la válvula.</p> <p><b>B.</b> Verifique que la rejilla de entrada del agua caliente no esté obstruida. Limpie o cambie la rejilla de entrada.</p> <p><b>C.</b> Espere a que el calentador de agua llegue a la temperatura deseada.</p> <p><b>D.</b> Consulte a su representante de servicio autorizado (ASR) de Kohler Co.</p>

Síntomas	Causa probable	Acción recomendada
<p>7. Tasa de flujo reducida o fluctuante. La válvula funciona correctamente.</p>	<p><b>A.</b> Es posible que las entradas a la válvula estén obstruidas.</p> <p><b>B.</b> Es posible que los componentes o que las placas exteriores del rociador estén obstruidas.</p> <p><b>C.</b> La presión de salida de agua es baja.</p> <p><b>D.</b> Fluctuación de la presión de suministro.</p> <p><b>E.</b> Las temperaturas del suministro de agua no están dentro del rango recomendado.</p>	<p><b>A.</b> Verifique que las entradas de la válvula no tengan suciedad ni obstrucciones. Limpie las rejillas de entrada. Consulte la sección “Limpie las rejillas de entrada”.</p> <p><b>B.</b> Limpie las placas exteriores del rociador y las rejillas en los componentes.</p> <p><b>C.</b> Verifique que la tasa de flujo esté al valor mínimo requerido o más. Consulte la sección “Especificaciones”.</p> <p><b>D.</b> Verifique que las presiones dinámicas de entrada estén dentro de especificaciones. Consulte la sección “Especificaciones”.</p> <p><b>E.</b> Verifique que la temperatura del agua de las entradas estén dentro del rango recomendado.</p>
<p>8. Cambio o altibajas en la temperatura de mezcla.</p>	<p><b>A.</b> La temperatura del suministro de agua fluctúa.</p> <p><b>B.</b> Diferencia de presión mayor de 5 psi (34,5 kPa) entre los suministros de agua caliente y fría.</p> <p><b>C.</b> Si ninguna de las acciones recomendadas para los problemas anteriores corrige el síntoma, la válvula requiere servicio.</p>	<p><b>A.</b> Revise los diferenciales de temperatura de entrada y verifique que sean suficientes. Consulte la sección “Especificaciones”.</p> <p><b>B.</b> Instale reguladores de presión para que los suministros estén a menos de 5 psi (34,5 kPa) uno del otro.</p> <p><b>C.</b> Consulte a su representante de servicio autorizado (ASR) de Kohler Co.</p>
<p>9. Fuga de agua en la válvula. PRECAUCIÓN: Riesgo de lesiones personales o daños al producto. Desconecte el suministro eléctrico principal y cierre el suministro de agua.</p>	<p><b>A.</b> Las conexiones no están fijadas.</p> <p><b>B.</b> Los sellos están desgastados o dañados.</p> <p><b>C.</b> Fuga interna.</p>	<p><b>A.</b> Revise todas las conexiones. Haga los ajustes necesarios.</p> <p><b>B.</b> Haga un pedido del paquete de servicio de sellos, y cambie todos los sellos.</p> <p><b>C.</b> La unidad requiere reconstrucción. Consulte a su representante de servicio autorizado (ASR) de Kohler Co.</p>
<p>10. Solo sale agua caliente, la válvula se apaga.</p>	<p><b>A.</b> Las líneas de agua fría y caliente están invertidas.</p>	<p><b>A.</b> Intercambie las conexiones de los suministros del agua fría y caliente. Verifique que el suministro de agua caliente esté conectado a la entrada identificada como “Hot” y que el suministro de agua fría esté conectado a la entrada identificada como “Cold”.</p>

# Conformidad

---

## Contiene FCC ID: SH6MDBT42Q, Z64-CC3235MOD

Este dispositivo cumple lo establecido en la sección 15 de las normas de la FCC. Su funcionamiento está sujeto a las siguientes 2 condiciones: (1) que este dispositivo no cause interferencia perjudicial y (2) que acepte cualquier interferencia, incluida la que pueda causar funcionamiento no deseado.

Cualquier modificación o cambio sin aprobación expresa de la parte responsable del cumplimiento podría invalidar el derecho del usuario a utilizar el equipo.

Este equipo ha sido probado, y se ha encontrado que satisface los límites de un aparato digital Clase B, de acuerdo a la sección 15 de las normas de la FCC. Estos límites están diseñados para ofrecer protección razonable contra interferencia perjudicial en una instalación residencial. Este equipo genera, usa y puede radiar energía de radiofrecuencia y, si no se instala y utiliza en cumplimiento de las instrucciones, puede causar interferencia perjudicial a las comunicaciones de radio. Sin embargo, no se garantiza que la interferencia no pudiera ocurrir en una instalación en particular. Si este equipo causa interferencia perjudicial a la recepción de radio o televisión, lo que se puede determinar al encender y apagar el equipo, se le recomienda al usuario que trate de corregir la interferencia mediante una de las siguientes medidas:

- Cambiar la orientación o el lugar de la antena receptora.
- Aumentar la separación entre el equipo y el receptor.
- Conectar el equipo a un tomacorriente en un circuito diferente al que utiliza el receptor.
- Consultar al distribuidor o a un técnico con experiencia en radio y televisión, para obtener ayuda.

## Advertencia sobre exposición a radiofrecuencias

Este transmisor con su antena cumple los límites de exposición de radiofrecuencia (RF) de la FCC para la exposición no controlada/población general. Este dispositivo no debe ubicarse ni hacerse funcionar con ninguna otra antena o transmisor. Este dispositivo se debe usar a una distancia mínima de 7-7/8" (200 mm) entre el radiador y un cuerpo humano.

## Contiene IC: 8017A-MDBT42Q, 451I-CC3235MOD

Este dispositivo contiene transmisores/receptores exentos de licencia que cumplen las Especificaciones Normativas de Radio de Canadá (RSS) exentos de licencia, de Desarrollo Económico, de Ciencias e Innovación. El funcionamiento está sujeto a las siguientes 2 condiciones: (1) que este dispositivo no cause interferencia y (2) que acepte cualquier interferencia, incluida la que pueda causar funcionamiento no deseado del dispositivo.

Este transmisor con su antena cumple los límites de exposición de radiofrecuencia (RF) de la Industria de Canadá para la exposición no controlada/población general.

Este aparato digital Clase B cumple la norma canadiense ICES-003.

USA/Canada: 1-800-4KOHLER (1-800-456-4537)  
Mexico: 001-800-456-4537  
kohler.com

THE BOLD LOOK  
OF **KOHLER**®

©2023 Kohler Co.



1430528-2

1430528-2-D