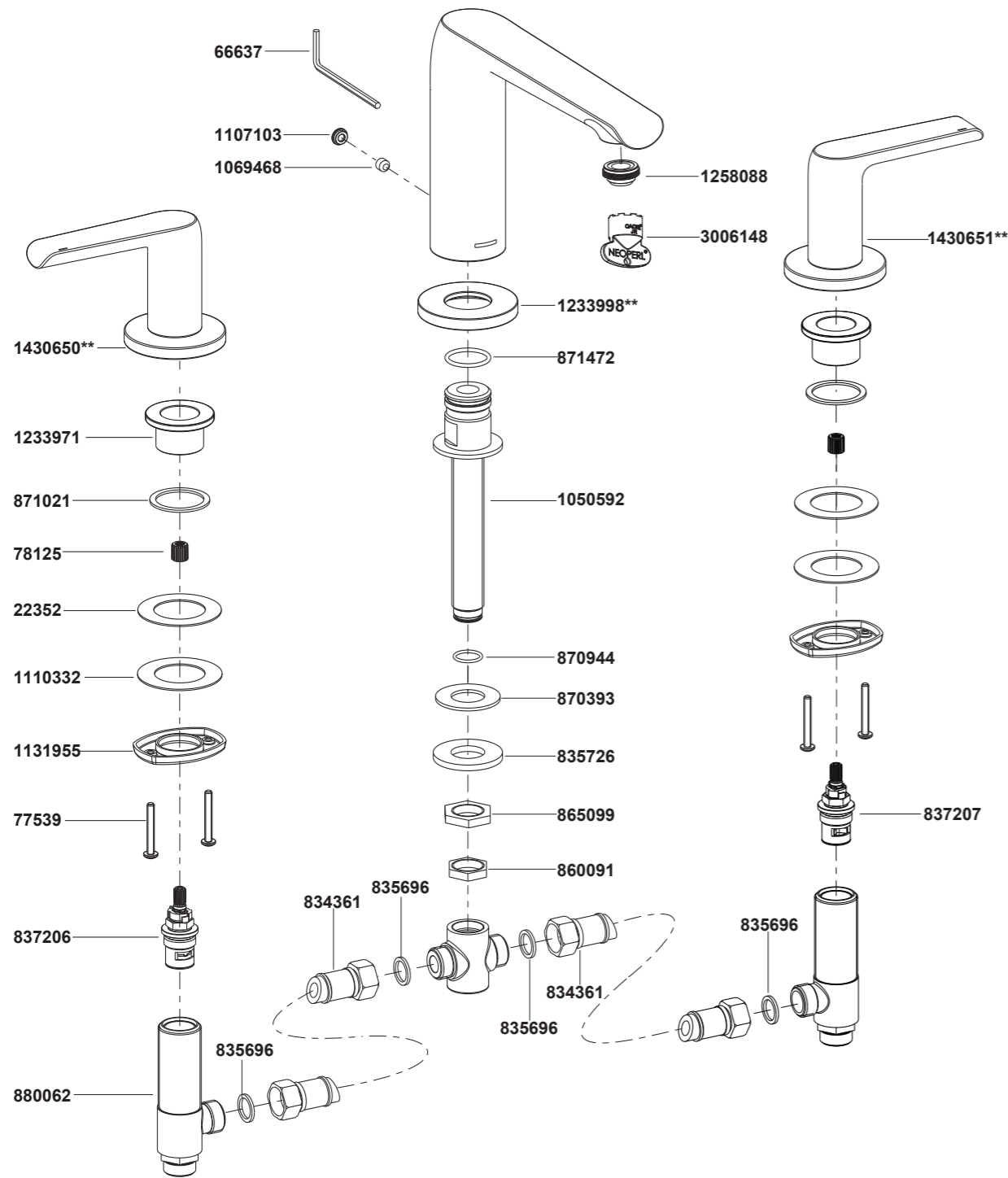


97363T-B4 2 Handle Deck Mount Bath Faucet



**Color code must be specified when ordering.

97363T-B4 2 Handle Deck Mount Bath Faucet

BEFORE YOU BEGIN

All information is based on the latest product information available at the time of publication. Kohler Co. reserves the right to make changes in product characteristics, packaging, or availability at any time without notice.

Please leave these instructions for the consumer. They contain important information.

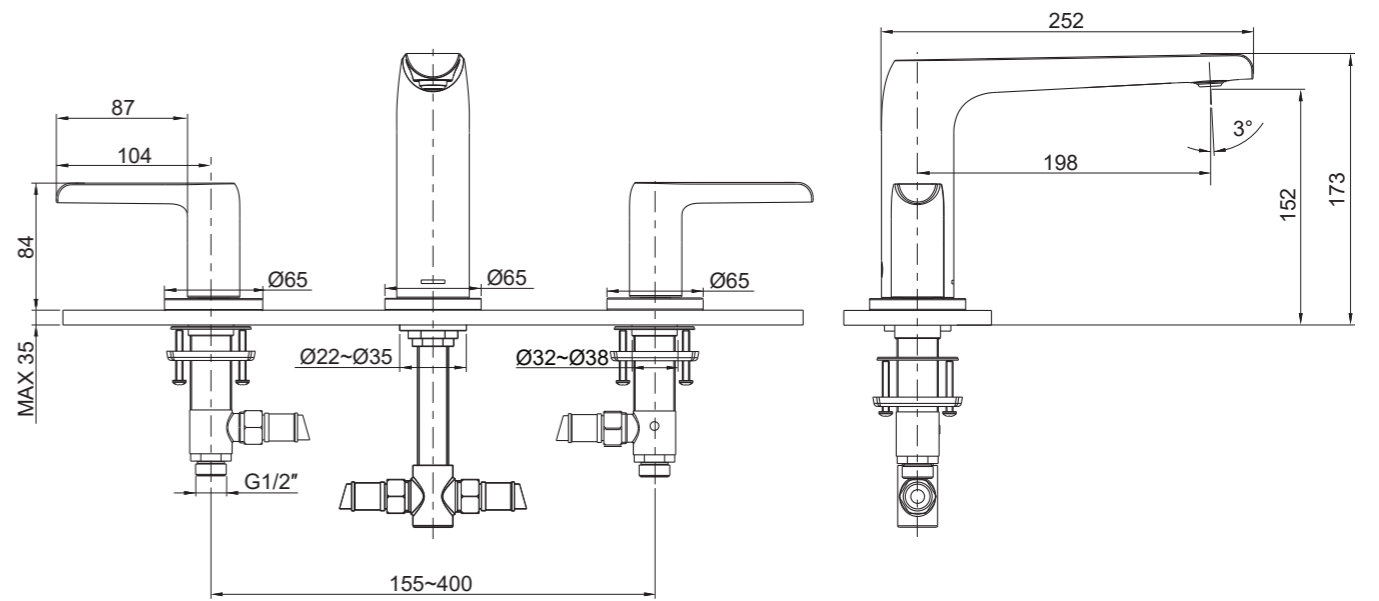
NOTES:

1. Flush the water supply pipes thoroughly to remove debris.
2. Inspect the supply tubing for damage. Replace as necessary.
3. Observe local plumbing codes.
4. Shut off the water supplies to the fitting. If possible, install this faucet before installing the tub.

HANDLE OPERATION

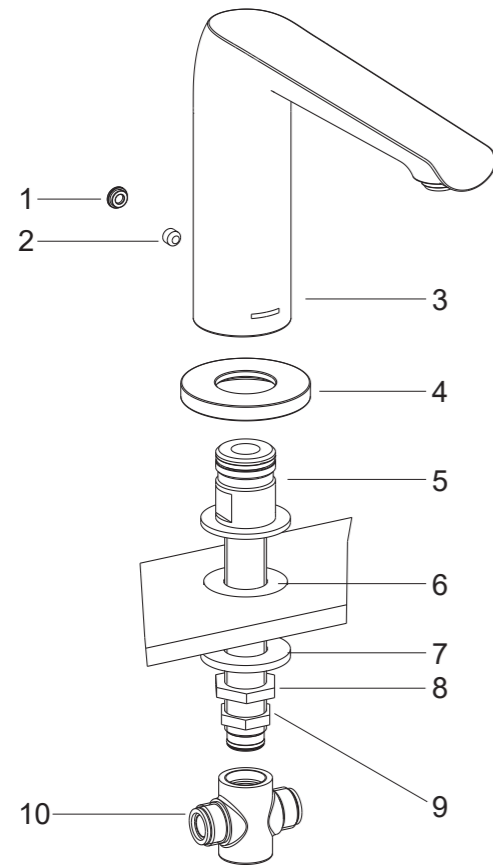
Left handle opens with one-quarter turning counter-clockwise. Right handle opens with one-quarter turning clockwise.

ROUGH-IN DIMENSIONS



97363T-B4

INSTALLATION



How to Install the Spout

Remove and retain the supply tee(10), the nuts(9, 8) and washer(7) from the shank(5).

Fit the shank with washer(6) into the center hole of tub. Install washer(7) and the nuts(8,9) from underside, tighten nuts with a wrench to secure the shank.

Install the escutcheon(4) on the shank until it contacts the deck or bath tub rim. Install the spout(3) on the escutcheon, position the spout, tighten the screw(2) at the back of spout with hex wrench. Press the plug(1).

Hand tighten supply tee(10) to the shank.

①

How to Install the Side Bodies and Handles

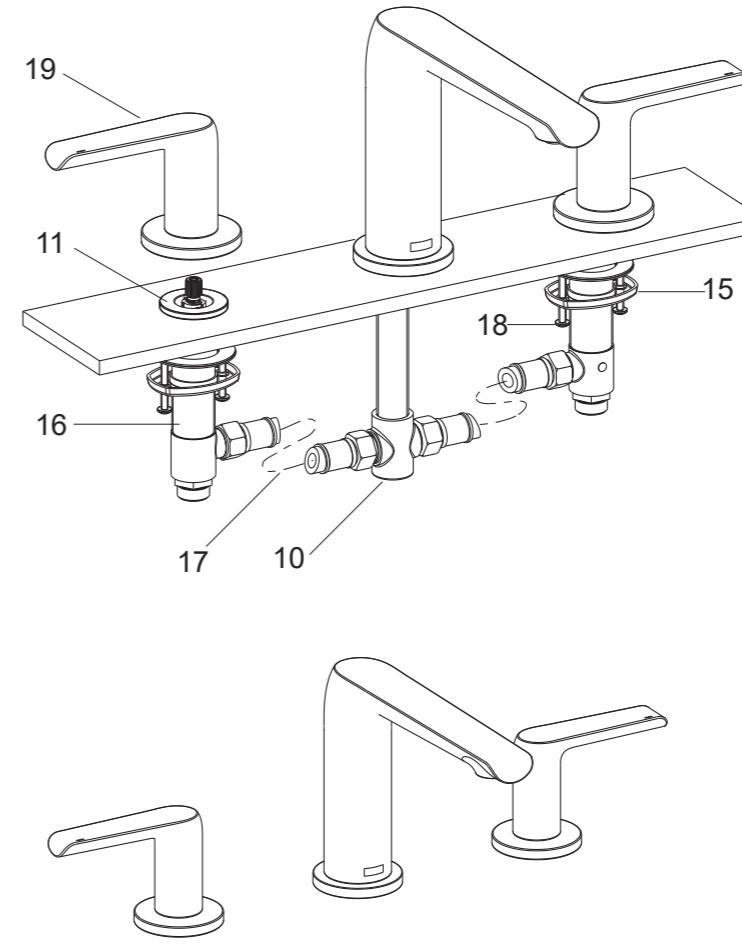
Remove the escutcheon bases(11) and rubber washers(12) from the side bodies(16).

Ensure the washers(13), steel washers(14) and threaded rings(15) are on the valve bodies.

Insert the side bodies into the mounting holes from the underside of the tub. **NOTE:** The side body with red mark should be installed on the left.

Put the rubber washers(12) into the groove of the escutcheon bases. Tighten the escutcheon bases onto the valve bodies.

②



Secure the side bodies(16) by tightening screws(18) with screwdriver.

Adjust the outlets of side bodies for hoses(17) installation as needed. Put the washers into the ends of the hoses, connect hoses to the side bodies and supply tee(10).

Thread the handles(19) onto the escutcheon bases(11). **NOTE:** The handle kit with red mark should be installed on the left, and the valves are in the off position before installation.

③

The illustration shown is the correct position of complete installation.

④

INSTALLATION CHECKOUT

Ensure that all coupling nuts are tight. Ensure that the handles are in the off position.

Turn on the main water supply and drain, and check for leaks. Repair as needed.

Remove the aerator(20) with key(21). Turn the faucet on. Run hot and cold water through spout for about one minute to remove any debris. Remove any debris from the aerator assembly. Shut off the faucet. Reinstall aerator assembly.

CLEANING INSTRUCTIONS

All Finishes: Clean the finish with mild soap and warm water. Wipe entire surface completely dry with clean soft cloth. Many cleaners may contain chemicals, such as ammonia, chlorine, toilet cleaner etc, which could adversely affect the finish and are not recommended for cleaning.

Do not use abrasive cleaners or solvents on Kohler faucets and fittings.