

Installation Instructions

In-Wall Tank and Carriage

Record your model number:
Noter le numéro de modèle:
Anoté su número de modelo: _____

Français, page 15
Español, página 29

KOHLER®

Thank You for Choosing KOHLER

Need help? Contact our Customer Care Center.

USA/Canada: 1-800-4KOHLER (1-800-456-4537)

Mexico: 001-800-456-4537

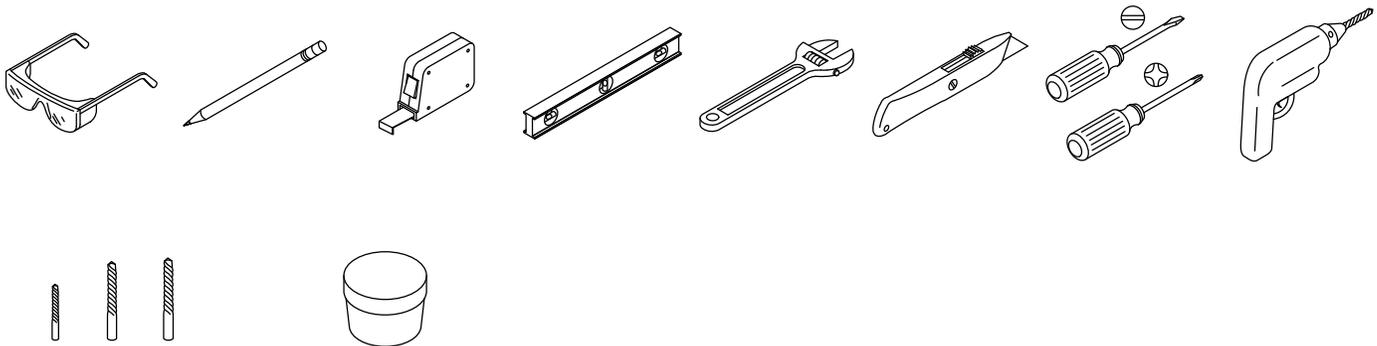
For service parts information, visit kohler.com/serviceparts.

For care and cleaning information, visit kohler.com/clean.

Warranty

This product is covered under the KOHLER® Toilets and Seats Limited Warranty, found at kohler.com/warranty. For a hardcopy of warranty terms, contact the Customer Care Center.

Tools and Materials



Assorted Drill Bits Silicone Plumbers Grease

Plus:

- Woodworking Tools and Materials
- 3/8" x 2" (51 mm) Min Lag Bolts
- 3/8" x 2" (51 mm) Min Concrete Expansion Bolts (for concrete subflooring)
- 1/4 Turn, 1/2" NPT Supply Shut-off with 7/8" or Shorter Handle (BrassCraft® G23341X C1 or equivalent)
- Assorted Electrical Tools (Optional)

Before You Begin

 **WARNING: Risk of property or product damage.** Do not use in-tank cleaners. Products containing chlorine (calcium hypochlorite) can damage fittings in the tank. This can cause leakage and property damage.

IMPORTANT! Minimum 2x4 framing or larger is required for this installation.

IMPORTANT! The water temperature in the tank must remain between 33°F (0.5°C) and 80°F (26.6°C) to avoid freezing and condensation. If installing on an exterior wall, adequate insulation must be used to ensure that the temperature stays in this range.

NOTE: If 2x6 framing is used, angle the waste outlet 45 degrees in either direction.

NOTE: Do not use this product as a retrofit device for 1.28 gpf (4.8 lpf) water closets.

NOTE: Kohler Co. successfully tested this product for compatibility with KOHLER bowls K-6918, K-6299, and K-6300. Performance may vary if this product is used with an incompatible bowl.

NOTE: The 1201721 electrical box kit is required when pairing the K-4744 cleansing seat with the bowl.

Unpack and inspect the carrier and tank for damage.

During installation, make sure that the inlet tube connections and gaskets remain fully engaged to ensure a watertight seal.

Follow all local plumbing and building codes.

For Installations with a Cleansing Seat

 **CAUTION: Risk of personal injury.** Connect the toilet electrical supply to a circuit protected by a dedicated Ground-Fault Circuit-Interrupter (GFCI) or Residual Current Device (RCD).

Follow all local electrical codes.

Waste Outlet Pipe Information

4" PVC

IMPORTANT! Make sure that the height of the waste outlet pipe is sufficient so the rubber ribs on the adapter will be fully inserted into the waste outlet pipe.

The 4" PVC waste outlet pipe is wider than the stud pocket in a 2x4 installation. This requires carving out the wall material on both sides of the installation wall to fit the waste pipe.

The center of a 4" PVC waste outlet pipe should follow the guidelines provided in the "Install Framing and Waste Outlet" section.

3" PVC

A PVC or flexible coupler may be wider than the stud pocket in a 2x4 installation. This requires carving out the wall material on both sides of the installation wall to fit the waste pipe.

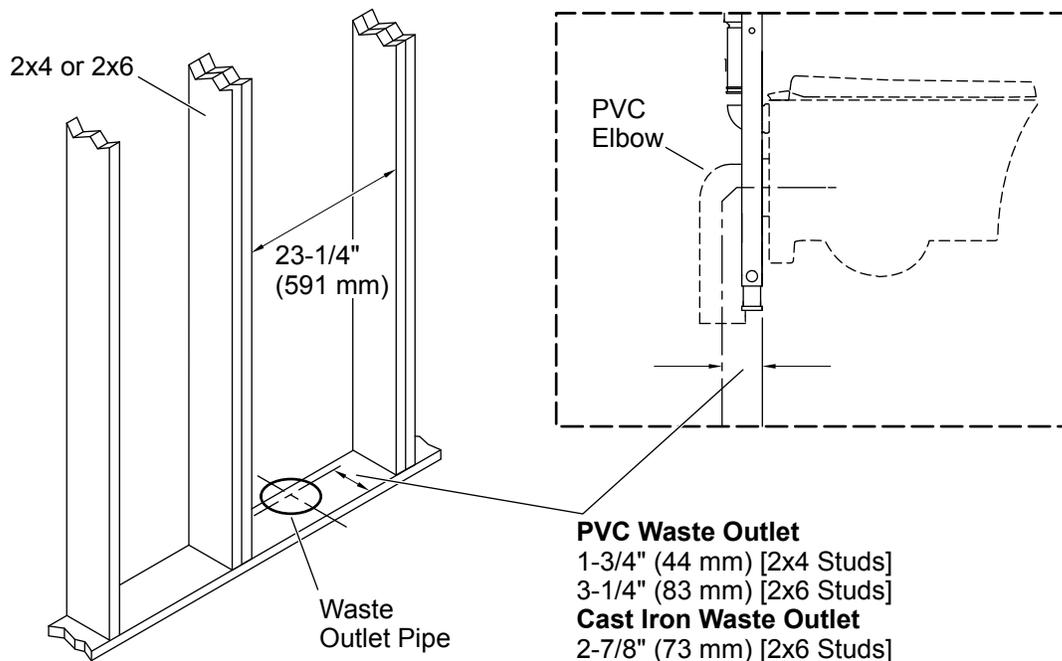
The center of a 3" PVC waste outlet pipe should follow the guidelines provided in the "Install Framing and Waste Outlet" section.

Cast Iron

A cast iron waste pipe will not be centered inside 2x4 framing, and will protrude beyond the back of the stud pocket. Use 2x6 framing or build a chase behind 2x4 framing for cast iron waste pipes.

The center of a KOHLER K-7208 cast iron waste pipe should follow the guidelines provided in the “Install Framing and Waste Outlet” section.

1. Install Framing and Waste Outlet



IMPORTANT! The waste outlet pipe dimension from the front edge of the framing to the outlet pipe center is critical to this installation. Refer to the illustration above, and see the waste pipe installation options in "Before You Begin" for more details.

NOTE: Refer to the product specification sheet for more details and for roughing-in dimensions.

NOTE: You may need to relocate the waste outlet pipe for this installation.

NOTE: A PVC elbow is supplied with this product. A cast iron elbow may be required by code in some areas. The height of the toilet waste pipe may need to be adjusted if a cast iron elbow is used.

NOTE: Use double studs on either side of the stud pocket.

NOTE: Follow all applicable codes in your area.

Construct the stud pocket according to the dimensions shown.

The waste outlet centerline location will vary depending upon the waste outlet pipe option chosen. The centerline will be:

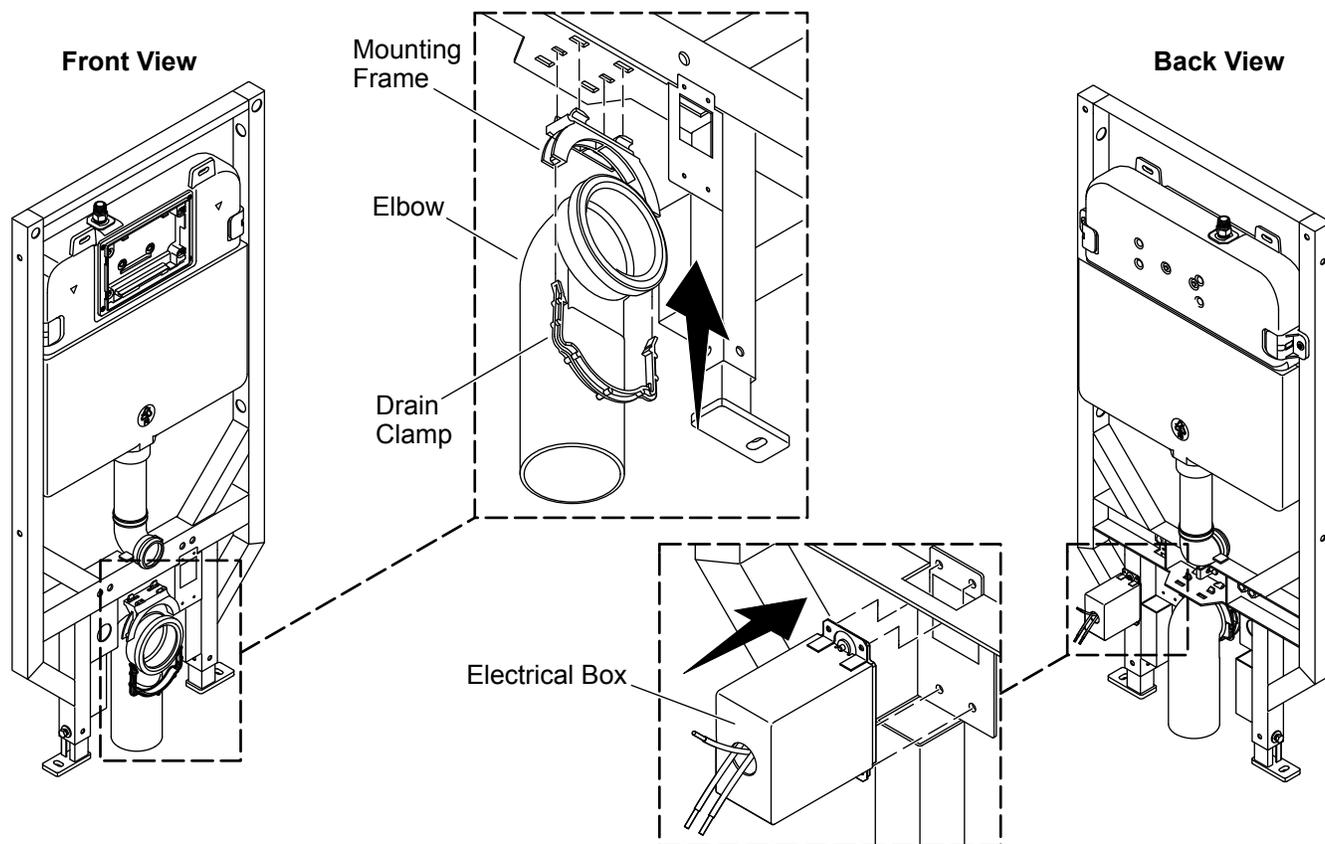
- 1-3/4" (44 mm) for 2x4 framing with a PVC waste outlet
- 3-1/4" (83 mm) for 2x6 framing with a PVC waste outlet
- 2-7/8" (73 mm) for a cast iron waste outlet measured from the front edge of the framing

4" PVC: Install the supplied rubber-ribbed adapter onto the carrier's PVC elbow, and insert it into the 4" PVC waste outlet pipe.

3" PVC: Couple to the PVC elbow of the carrier using a flexible coupler or a cemented PVC coupler.

Cast Iron: Install a cast iron waste pipe according to established installation methods.

2. Prepare the Carriage



All Installations

NOTE: If using 2x6 studs, install the mounting frame into the back notches.

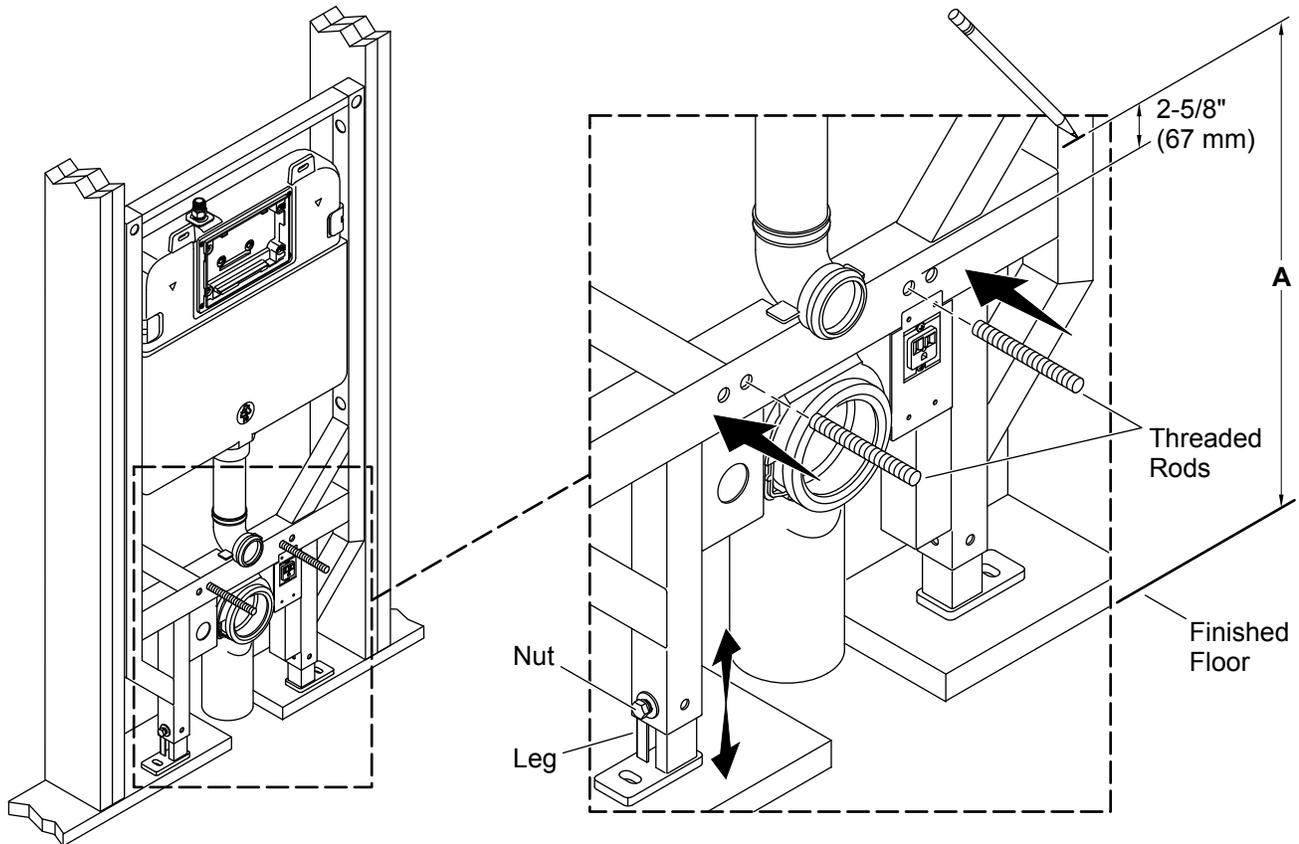
- Install the mounting frame into the front notches on the bottom of the carriage.
- Insert the elbow into the mounting frame.
- Secure the elbow in place with the drain clamp. Press the clamp into the frame until it locks into place.

For Installations with a Cleansing Seat

NOTE: The 1201721 electrical box kit is required when pairing the K-4744 cleansing seat with the bowl.

- Connect the electrical box to the carriage at the location shown.

3. Adjust the Carriage Height



IMPORTANT! If the carriage has not been adjusted correctly, the bowl rim height may not be compliant with applicable codes. If the bowl height is not correct, the finished wall will need to be removed to make the required adjustments.

NOTE: The minimum rim height is 15" (381 mm) when the finished floor is even with the bottom of the carriage legs. The maximum rim height is 23" (584 mm) when the legs are fully raised. The carriage can be adjusted up to 8" (203 mm), with 6" (152 mm) or less of adjustment sufficient in most installations.

- Move the carriage into place in the stud pocket.
- Temporarily secure the carriage in place so it will not fall.
- Install the threaded rods several turns into the carriage.
- Make a mark on the carriage 2-5/8" (67 mm) above the top of the threaded rod.
- Measure from the finished floor to the mark (A) to determine the rim height of the bowl.
- Loosen the nuts that secure the legs to the carriage.

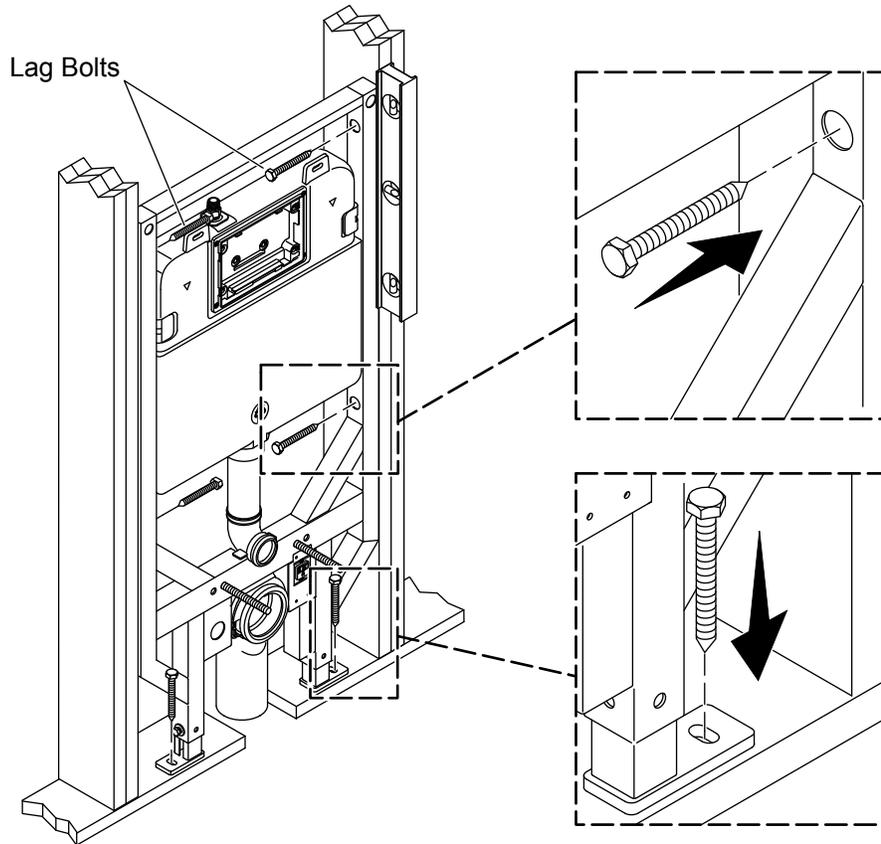
NOTE: As you lower the carriage, make sure that the elbow aligns with the waste outlet pipe.

NOTE: If applicable, confirm that the gasket on the elbow stays correctly positioned as it enters the waste outlet pipe.

NOTE: If a cast iron elbow is required, make the connections following all applicable codes.

- Adjust the carriage until the desired height is reached. Use a wrench to securely tighten the nuts to secure the legs in place.

4. Install the Carriage



- Align the front of the frame flush or no more than 1/16" (2 mm) behind the face of the studs. If the frame protrudes past the face of the studs, the wall material can be damaged. If the front of the frame is recessed too far, the bowl will not be fully supported and may move during use.
- Verify that the front of the carriage is plumb.
- Mark the hole locations for the six lag bolts, one for each foot and two on each side of the carriage.
- Drill pilot holes (remove the carriage if needed) at the marked locations.

NOTE: If the carriage is installed onto a concrete subfloor, use concrete expansion bolts (not supplied) when securing the feet of the carriage.

- Secure the carriage to the support studs using 3/8" x 2" (51 mm) long (minimum) lag bolts (not supplied), one at each location.

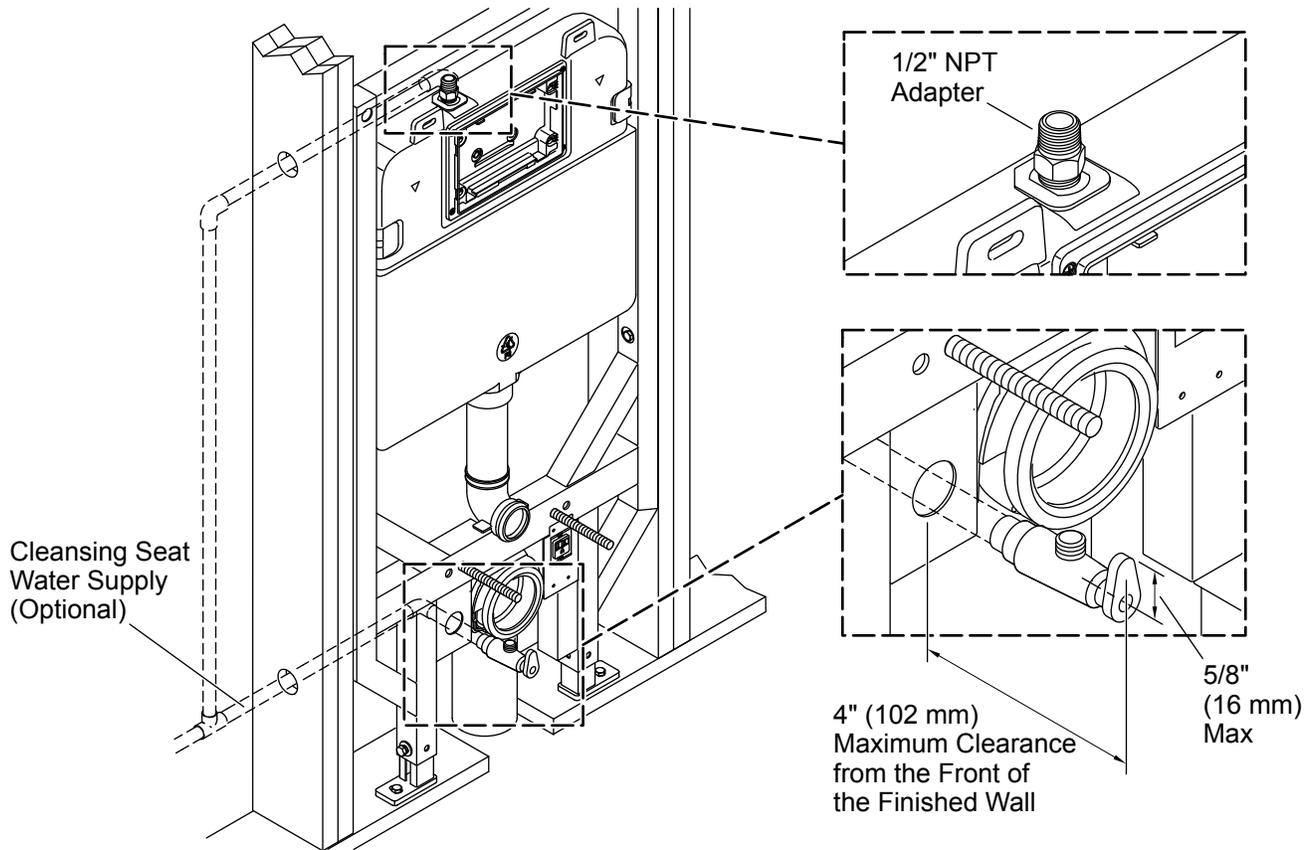
For Installations with a Cleansing Seat

⚠ WARNING: Risk of personal injury. Disconnect the electrical power before connecting the wires.

NOTE: Only follow this step if you installed an electrical box in the "Prepare the Carrier" section.

- Connect the electrical power according to applicable codes.

5. Install the Water Supply



All Installations

IMPORTANT! An optional cleansing seat water supply is shown. Only install a second water supply if you will install a cleansing seat.

NOTE: The tank valve inlet uses G1/2 threads. If desired, install a 1/2" NPT adapter to the tank valve inlet.

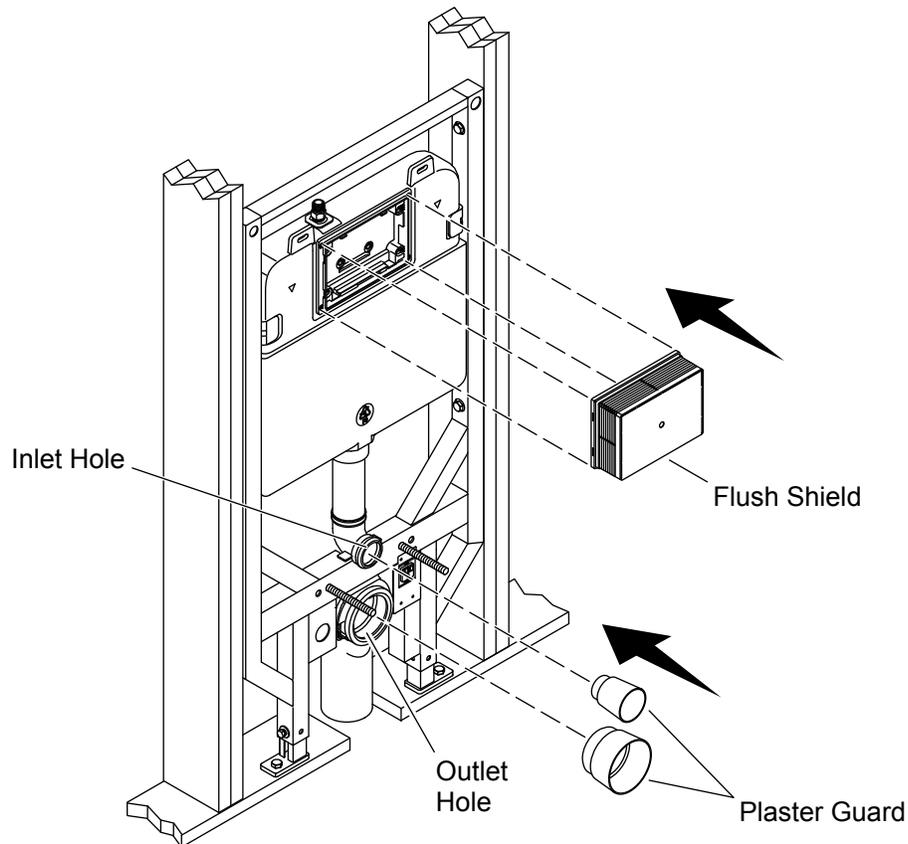
- Make sure that the rubber seal is inserted into the 1/2" NPT adapter, if used.
- Install a 1/2" NPT adapter, if desired, and tighten securely.
- Install and connect the water supply lines.
- Connect the waste pipe to the drain elbow.

For Installations with a Cleansing Seat

IMPORTANT! The cleansing seat water supply shut-off must extend from the finished wall between 3" (76 mm) minimum and 4" (102 mm) maximum to allow access to the handle. The water supply shut-off handle should be no higher than 7/8" (22 mm) from the center of the water supply.

- Install the cleansing seat water supply and a 1/4 turn, 1/2" NPT supply shut-off valve.

6. Install the Plaster Guards

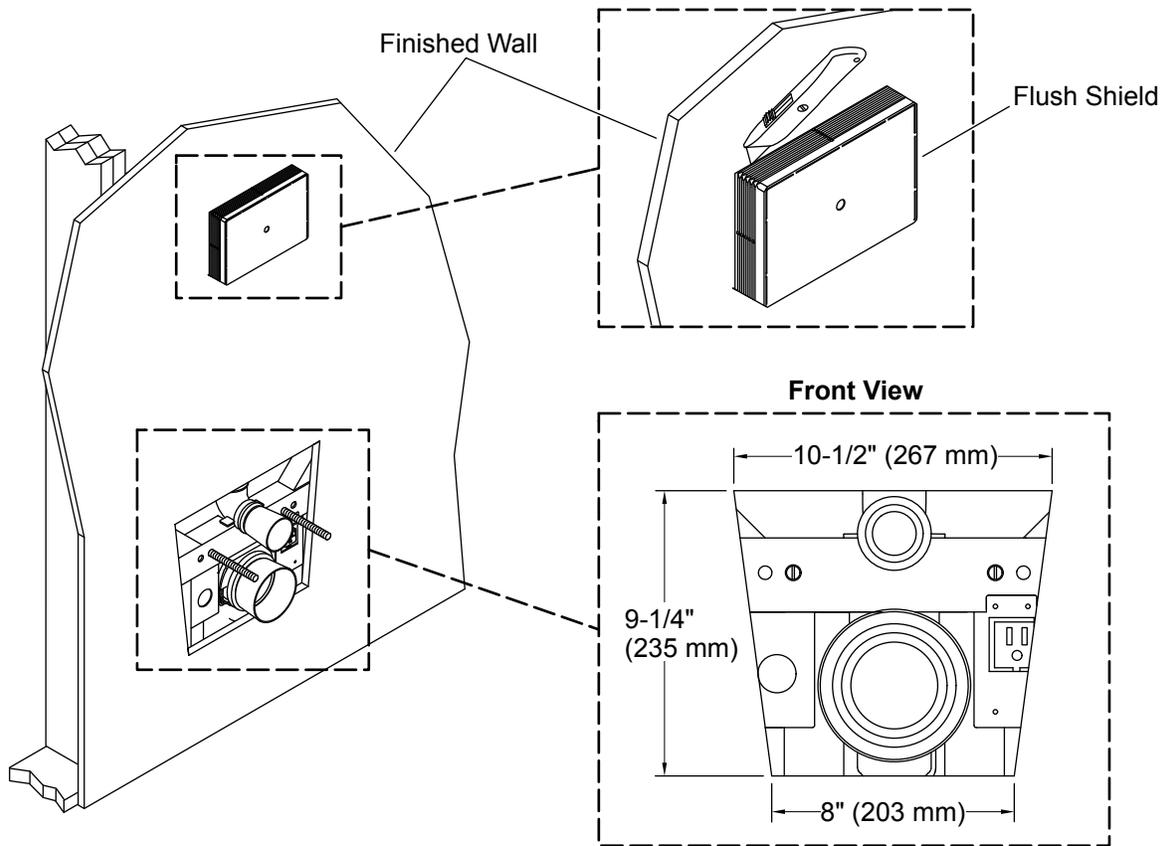


- Insert the plaster guards into the carrier inlet and outlet holes.

NOTICE: You will need the remaining parts after you complete the finished wall. Retain these parts.

- Set the actuator frame locking pins and bowl nut, washer, and cap set inside the flush shield so they will be available later when you open the flush shield.
- Install the flush shield in the flush valve opening by snapping it into place.

7. Install the Finished Wall



⚠ CAUTION: Risk of product damage. Do not puncture the water tank with fasteners. A template to assist in securing the finished wall is located on the inside of the box lid. Hang this template on the flush shield to identify the tank location.

IMPORTANT! Gypsum board may compromise the load strength of the toilet installation. Kohler Co. recommends the use of cement board or tile backer board for the wallboard backing.

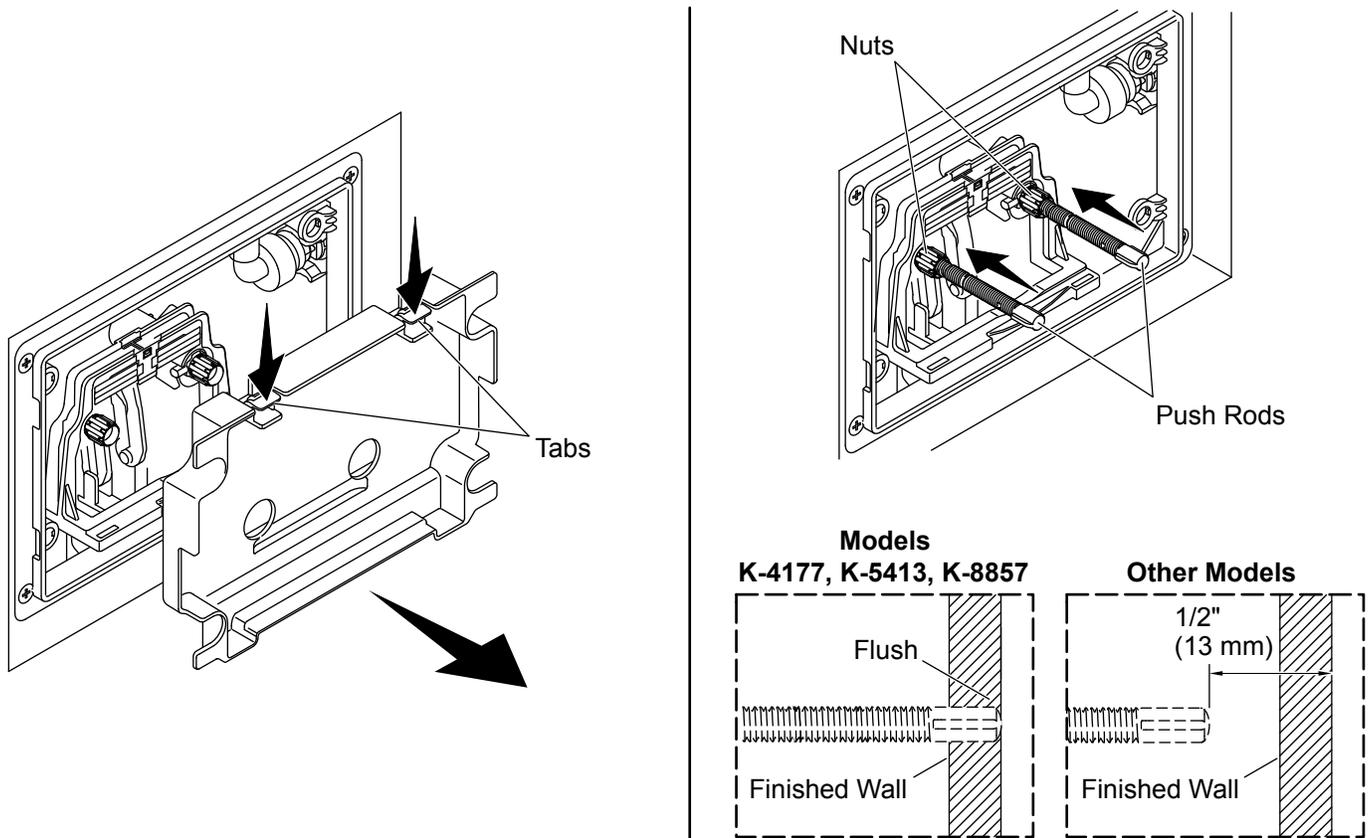
NOTE: The wall thickness should not exceed 2-3/4" (70 mm).

- Install the finished wall.
- Use a sharp utility knife to carefully trim the flush shield even with the finished wall.

NOTICE: Retrieve and retain the actuator frame locking pins and bowl nut, washer, and cap set from inside the flush shield.

- Discard the trimmed off portion of the shield.

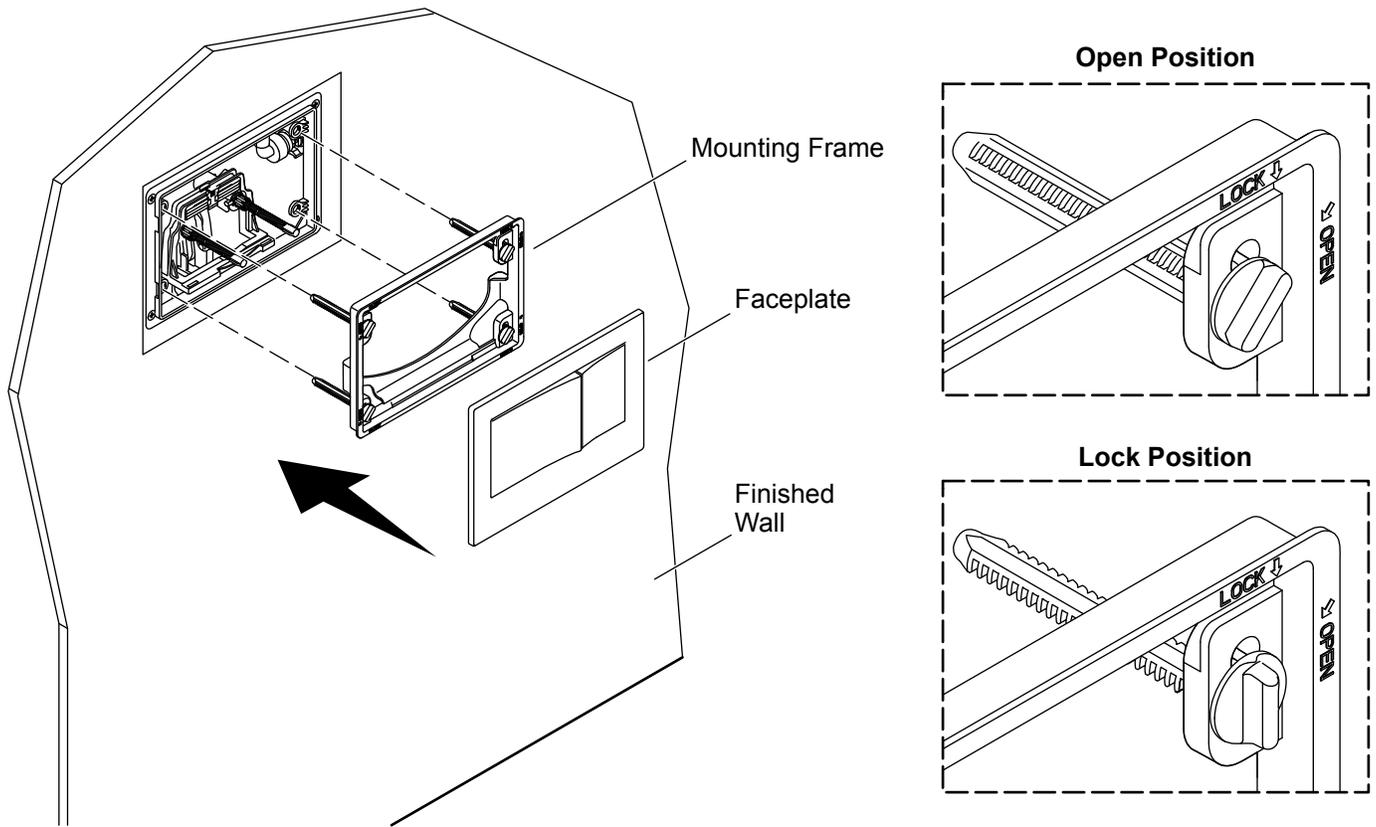
8. Install the Push Rods



NOTICE: The service cover contains information on removal and adjustment of the flush valve, fill valve, and debris screen. Retain the service cover for future reference.

- Remove and retain the service cover by pressing down on the tabs and pulling forward.
- Faceplates K-4177, K-5413, and K-8857:** Thread the push rods into the actuator assembly so they are flush with the finished wall.
- All Other Faceplates:** Thread the push rods into the actuator assembly 1/2" (13 mm) behind the finished wall.
- All Models:** If needed, trim the threaded end of the push rods.
- Secure the push rods in place with the push rod nuts.

9. Install the Faceplate



- Install the locking pins into the mounting frame from the faceplate kit.
- Turn the locking pins to the “Open” position.
- Align the mounting frame with the tank opening, and install the mounting frame against the finished wall.
- If needed trim the locking pins.
- Turn the locking pins to the “Lock” position.
- Position the faceplate over the push rods and press it into place.
- Proceed to the bowl Installation Instructions to complete the installation.

Troubleshooting

This troubleshooting guide is for general aid only. For service and installation issues or concerns, call 1-800-4KOHLER.

Symptoms	Probable Cause	Recommended Action
1. Poor flush.	<p>A. Water level is too low.</p> <p>B. Improper drain line venting.</p> <p>C. Poorly adjusted rod.</p>	<p>A. Raise the tank water level to the marked waterline. Turn the white knob on the fill valve clockwise.</p> <p>B. Install venting according to code.</p> <p>C. Verify that the threaded rods behind the faceplate make contact with the flush buttons. If they do not make contact, thread the rods out to the correct length, and tighten the nuts to lock the rods in place.</p>
2. Fill valve does not shut off.	<p>A. Water level is too high.</p> <p>B. Flush valve gasket or flush valve are damaged.</p> <p>C. Flush valve is sticking open.</p>	<p>A. Lower the tank water level to the marked waterline. Turn the white knob on the fill valve counterclockwise.</p> <p>B. Replace the flush valve gasket or flush valve as necessary.</p> <p>C. Check the flush valve and actuating mechanism for free movement. Push button actuators should raise the levers and then spring back without force. Replace components as necessary.</p>
3. Leaks from behind the bowl.	<p>A. Gaskets are not positioned correctly.</p>	<p>A. Remove the bowl and inspect all the gaskets. Reposition the gaskets if needed. Lubricate the gaskets so they slide over the mating part they seal. Reinstall the bowl, making sure the gaskets stay in the correct position.</p>
4. The carriage and bowl flex when used.	<p>A. Insufficient support for the frame.</p>	<p>A. Add additional support members, and mount the frame with 3/8" or larger lag bolts.</p>
5. No water flow.	<p>A. The supply stop located in the tank is closed.</p> <p>B. There is an obstruction in the water line.</p> <p>C. Fill valve debris screen is plugged.</p>	<p>A. Open the supply stop (located on the left side).</p> <p>B. Close the external water supply stop, then disconnect the braided hose where it attaches to the fill valve. Turn on the water supply and check the flow through the hose. Inspect the entire water path for obstructions. Clear any blockage.</p> <p>C. Refer to the service cover for instructions.</p>

Instructions d'installation

Bâti-support et réservoir encastrés

Merci d'avoir choisi KOHLER

Besoin d'aide? Appeler notre centre de services à la clientèle.

USA/Canada : 1-800-4KOHLER (1-800-456-4537)

Mexique : 001-800-456-4537

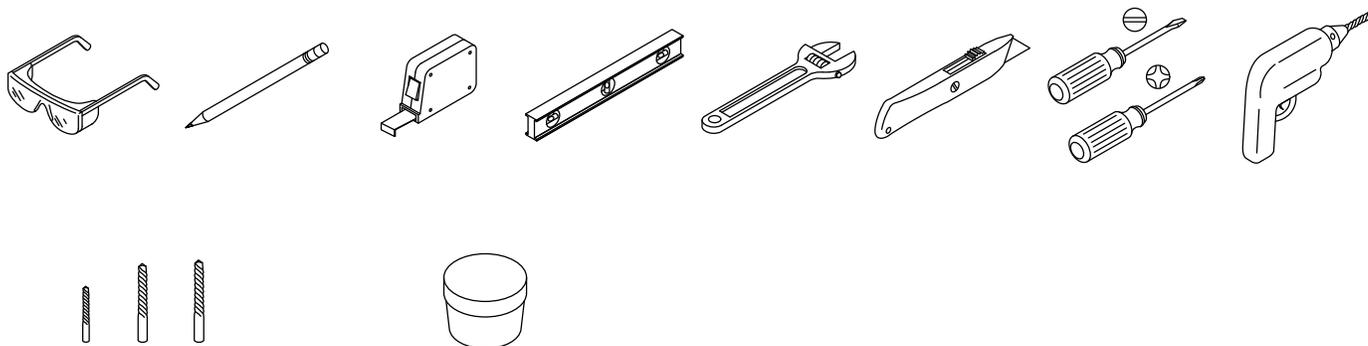
Pour tout renseignement sur les pièces de rechange, visiter le site kohler.com/serviceparts.

Pour des renseignements sur l'entretien et le nettoyage, visiter le site kohler.com/clean.

Garantie

Ce produit est couvert sous la **Garantie limitée pour toilettes et sièges KOHLER®**, fournie sur le site kohler.com/warranty. Pour obtenir une copie imprimée des termes de la garantie, s'adresser au centre de service à la clientèle.

Outils et matériel



Assortiment de mèches Graisse de plombier à la silicone

Plus :

- Outils de menuiserie et matériels
- Tire-fonds de 3/8 po x 2 po (51 mm) min
- Boulons à expansion pour béton 3/8 po x 2 po (51 mm) min (pour les sous-planchers en béton)
- Robinet d'arrêt d'alimentation 1/2 po NPT, 1/4 tour avec poignée de 7/8 po ou plus courte (BrassCraft® G23341X C1 ou équivalent)
- Outils d'électricien assortis (optionnel)

Avant de commencer

 **AVERTISSEMENT : Risque de dommages matériels ou d'endommagement du produit.** Ne pas utiliser de nettoyeurs pour l'intérieur du réservoir. Les produits contenant du chlore (hypochlorite de calcium) peuvent endommager les raccords dans le réservoir. Cela peut créer des fuites et des dommages matériels.

IMPORTANT! Une ossature minimale de 2x4 ou plus grande est requise pour cette installation.

IMPORTANT! La température de l'eau dans le réservoir doit rester entre 33°F (0,5°C) et 80°F (26,6°C) pour éviter un gel et une condensation. Si la toilette est installée sur un mur extérieur, un isolant adéquat doit être utilisé pour assurer que la température reste dans cette plage.

REMARQUE : Si une ossature de 2x6 est utilisée, tourner l'orifice d'évacuation à un angle de 45 degrés dans n'importe quelle direction.

REMARQUE : Ne pas utiliser ce produit en tant que remplacement pour les toilettes de 1,28 gpf (4,8 lpf).

REMARQUE : Kohler Co. a testé ce produit avec succès comme étant compatible avec les cuvettes KOHLER K-6918, K-6299 et K-6300. La performance peut varier si ce produit est utilisé avec une cuvette non compatible.

REMARQUE : La trousse de boîtier électrique 1201721 est requise lorsque le siège nettoyant K-4744 est apparié avec la cuvette.

Déballer et inspecter le bâti-support et le réservoir pour y rechercher des dommages éventuels.

Durant l'installation, s'assurer que les raccordements et les joints du tube d'arrivée restent complètement engagés afin préserver leur étanchéité.

Respecter tous les codes de plomberie et de bâtiment locaux.

Pour les installations avec un siège nettoyant

 **ATTENTION : Risque de blessures.** Raccorder uniquement l'alimentation électrique de la toilette à un circuit protégé par un disjoncteur de fuite de terre (GFCI) ou un dispositif de protection à courant résiduel (RCD) dédiés.

Suivre tous les codes électriques locaux.

Renseignements sur la conduite d'évacuation

PVC 4 po

IMPORTANT! S'assurer que la hauteur de la conduite d'évacuation est suffisante pour que les côtes en caoutchouc sur l'adaptateur soient entièrement insérées dans la conduite d'évacuation.

La conduite d'évacuation en PVC de 4 po est plus large que le cadre porteur dans une installation 2x4. Cela exige de tailler le matériau du mur sur les deux côtés du mur d'installation pour s'adapter à la conduite d'évacuation.

Le centre d'une conduite d'évacuation en PVC de 4 po doit respecter les directives fournies dans la section « Installer l'ossature et l'orifice d'évacuation ».

PVC 3 po

Un coupleur flexible ou en PVC pourrait être plus large que le cadre porteur dans une installation 2x4. Cela exige de tailler le matériau du mur sur les deux côtés du mur d'installation pour s'adapter à la conduite d'évacuation.

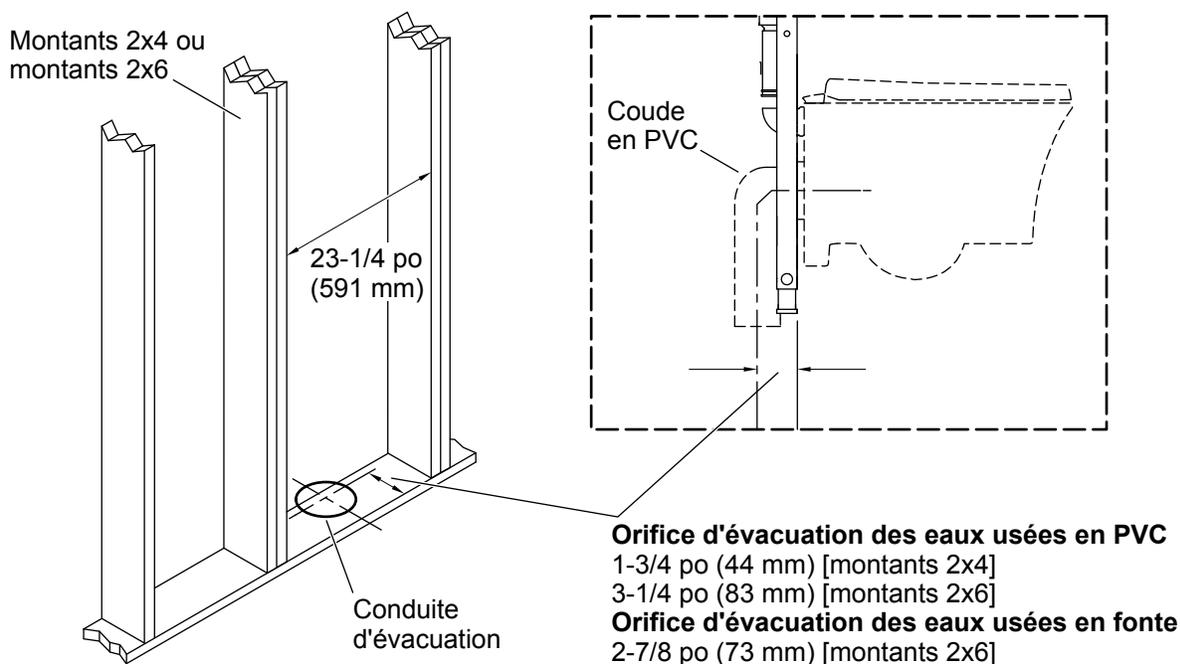
Le centre d'une conduite d'évacuation en PVC de 3 po doit respecter les directives fournies dans la section « Installer l'ossature et l'orifice d'évacuation ».

Fonte

Une conduite d'évacuation en fonte ne sera pas centrée à l'intérieur de la charpente 2x4 et dépassera au-delà de l'arrière du cadre porteur. Utiliser une charpente 2x6 ou construire un cadre à l'arrière de la charpente 2x4 pour les conduites d'évacuation en fonte.

Le centre d'une conduite d'évacuation en fonte KOHLER K-7208 doit suivre les directives fournies dans la section « Installer l'ossature et l'orifice d'évacuation ».

1. Installer l'ossature et l'orifice d'évacuation



IMPORTANT! La dimension de la conduite d'évacuation entre le bord avant de l'ossature et le centre de la conduite d'évacuation est de première importance pour cette installation. Se reporter à l'illustration ci-dessus et voir les options d'installation de la conduite d'évacuation dans « Avant de commencer » pour obtenir des détails supplémentaires.

REMARQUE : Voir la fiche de spécifications du produit pour obtenir des détails supplémentaires et des dimensions de raccordement.

REMARQUE : Il sera peut-être nécessaire de déplacer la conduite d'évacuation pour cette installation.

REMARQUE : Un coude en PVC est fourni avec ce produit. Dans certains endroits, la réglementation peut exiger un coude en fonte. Il sera peut-être nécessaire d'ajuster la hauteur de la conduite d'évacuation des eaux usées de la toilette si un coude en fonte est utilisé.

REMARQUE : Utiliser des montants doubles sur n'importe quel côté du cadre porteur.

REMARQUE : Respecter tous les codes applicables dans la région en question.

Construire le cadre porteur selon les dimensions indiquées.

L'emplacement de la ligne centrale de l'orifice d'évacuation varie en fonction de l'option de la conduite d'évacuation choisie. La ligne centrale sera comme suit :

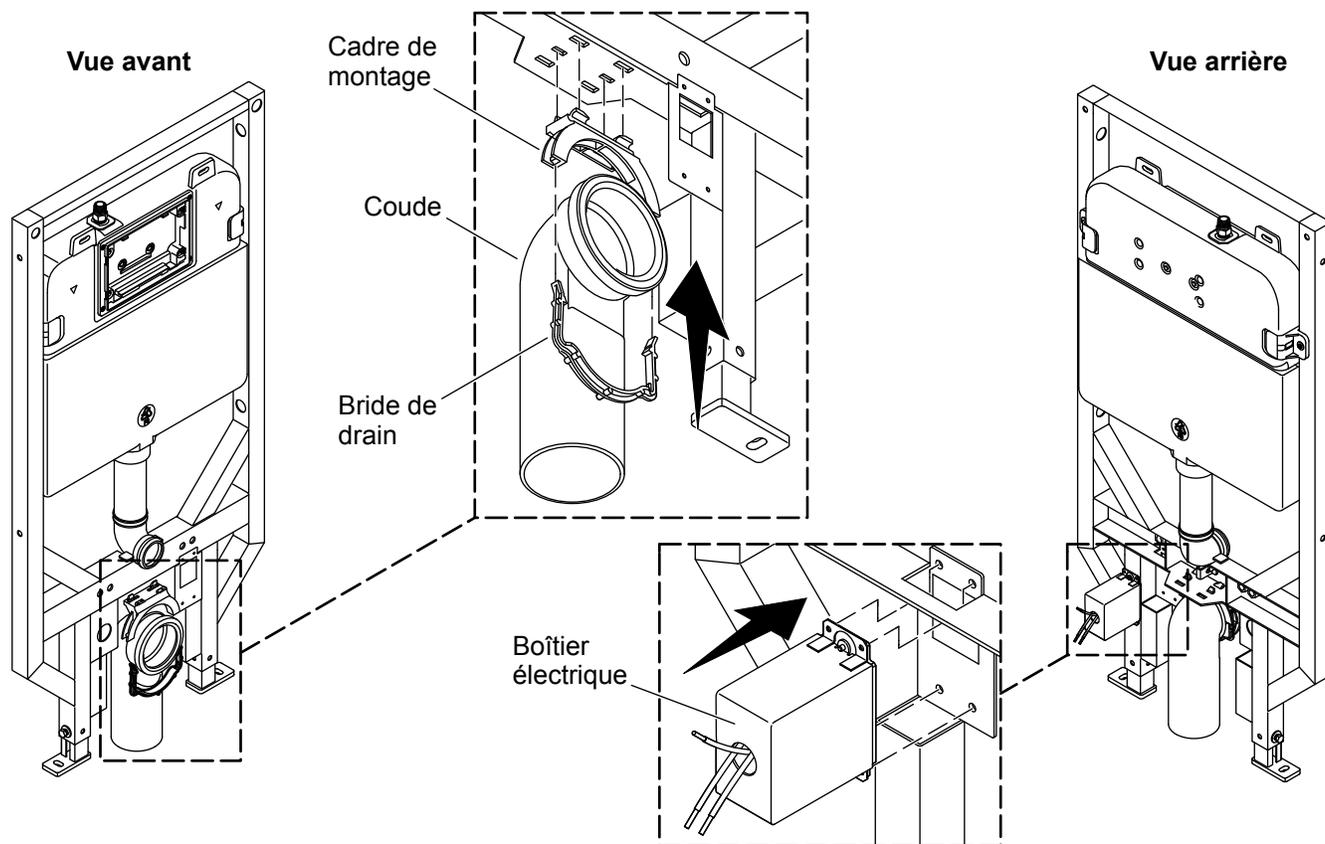
- 1-3/4 po (44 mm) pour ossature 2x4 avec un orifice d'évacuation en PVC
- 3-1/4 po (83 mm) pour ossature 2x6 avec un orifice d'évacuation en PVC
- 2-7/8 po (73 mm) pour un orifice d'évacuation en fonte mesuré à partir du bord avant de l'ossature

PVC 4 po : Installer l'adaptateur cannelé en caoutchouc fourni sur le coude en PVC du bâti-support et l'insérer dans la conduite d'évacuation en PVC de 4 po.

PVC 3 po : Accoupler le coude en PVC du bâti-support en utilisant un coupleur flexible ou un coupleur en PVC collé.

Fonte : Installer une conduite d'évacuation en fonte selon les méthodes d'installation établies.

2. Préparer le bâti-support



Toutes les installations

REMARQUE : Si des montants 2x6 sont utilisés, installer le cadre de montage dans les encoches arrière.

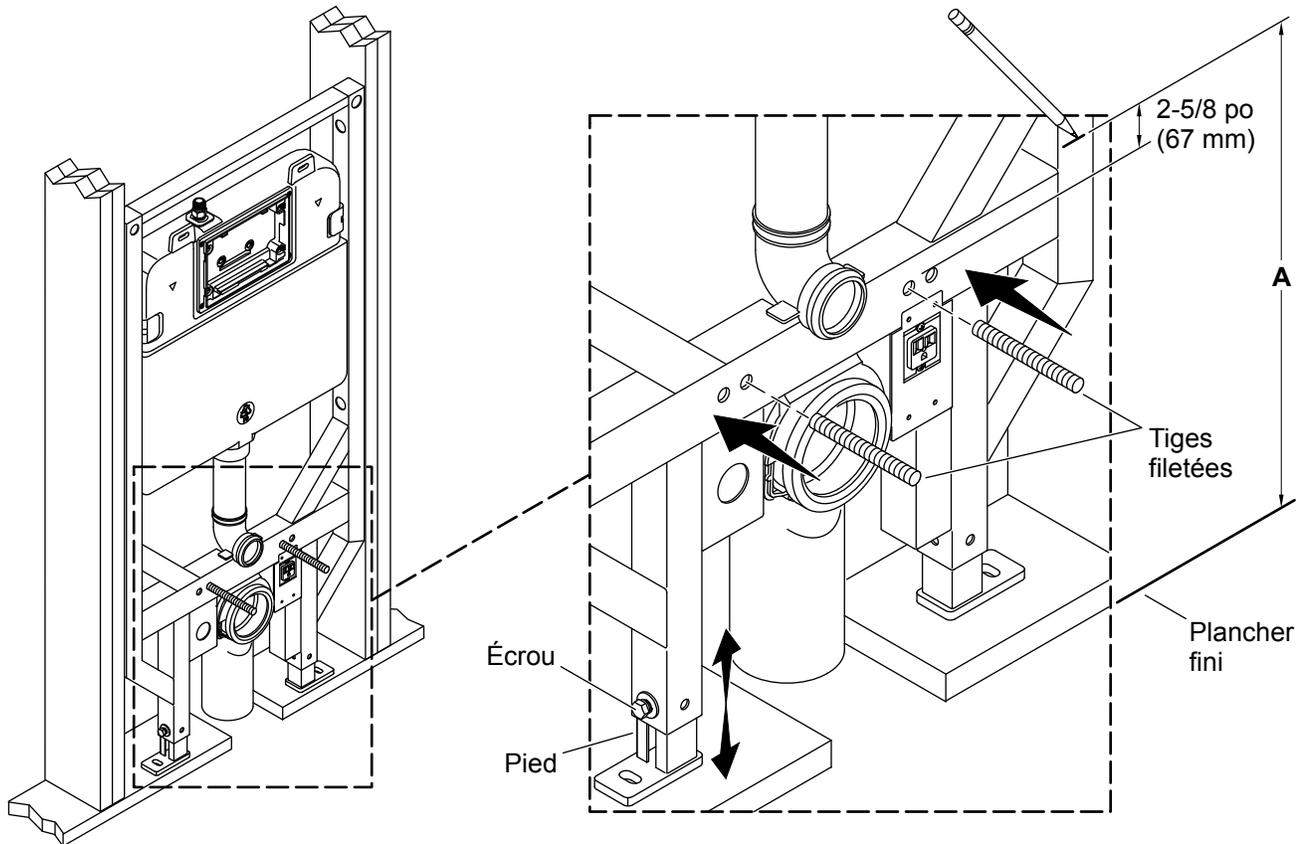
- Déballer et inspecter le bâti-support.
- Installer le cadre de montage dans les encoches avant sur le bas du bâti-support.
- Insérer le coude dans le cadre de montage.
- Fixer le coude en place avec la bride du drain. Enfoncer la bride dans le cadre jusqu'à ce qu'elle se verrouille en place.

Pour les installations avec un siège nettoyant

REMARQUE : La trousse de boîtier électrique 1201721 est requise lorsque le siège nettoyant K-4744 est apparié avec la cuvette. Ignorer cette étape lors d'une installation standard.

- Raccorder le boîtier électrique au bâti-support à l'emplacement indiqué.

3. Ajuster la hauteur du bâti-support



IMPORTANT! Si le bâti-support n'a pas été ajusté correctement, la hauteur du rebord de la cuvette pourrait ne pas être conforme aux codes en vigueur. Si la hauteur de la cuvette n'est pas correcte, il sera nécessaire de retirer le mur fini pour effectuer les ajustements nécessaires.

REMARQUE : La hauteur minimale du rebord est de 15 po (381 mm) lorsque le plancher fini est au niveau du dessous des pieds du bâti-support. La hauteur maximale du rebord est de 23 po (584 mm) lorsque les pieds sont complètement déployés. Le bâti-support peut être ajusté jusqu'à 8 po (203 mm), et un ajustement de 6 po (152 mm) ou moins suffit dans la plupart des installations.

- Mettre le bâti-support en place dans le cadre porteur.
- Fixer le bâti-support provisoirement pour l'empêcher de tomber.
- Visser les tiges filetées de plusieurs tours dans le bâti-support.
- Tracer un repère sur le bâti-support à 2-5/8 po (67 mm) au-dessus du haut de la tige filetée.
- Mesurer la distance entre le plancher fini et le repère (A) pour déterminer la hauteur du rebord de la cuvette.
- Desserrer les écrous qui fixent les pieds sur le bâti-support.

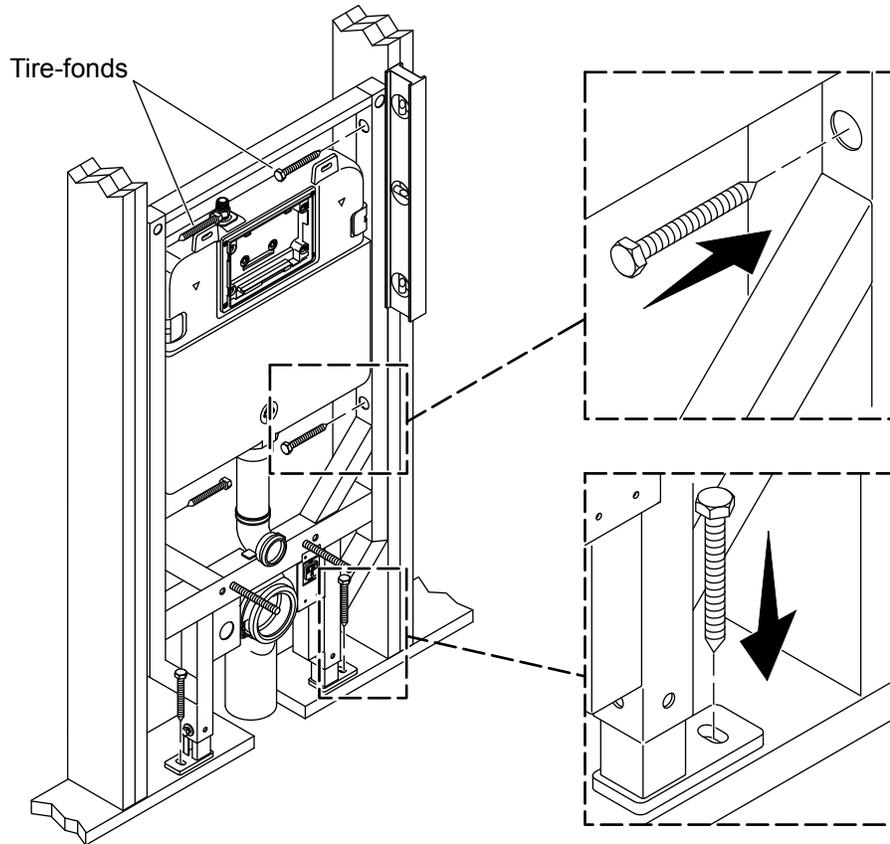
REMARQUE : Lorsque le bâti-support est abaissé, s'assurer que le coude s'aligne avec la conduite d'évacuation.

REMARQUE : Le cas échéant, vérifier que le joint sur le coude reste en position correcte lorsqu'il s'engage dans la conduite d'évacuation.

REMARQUE : Si un coude en fonte est requis, effectuer les raccordements conformément à tous les codes en vigueur.

- Ajuster le bâti-support jusqu'à la hauteur souhaitée. Utiliser une clé pour serrer solidement les écrous pour fixer les pieds en place.

4. Installer le bâti-support



- Aligner l'avant du cadre pour qu'il soit à ras ou à 1/16 po (2 mm) maximum derrière la partie avant des montants. Si le cadre dépasse de la partie avant des montants, le matériau du mur pourrait subir des dommages. Si l'avant du cadre est en retrait trop, la cuvette ne sera pas supportée complètement et pourrait se déplacer pendant son utilisation.
- Vérifier que l'avant du bâti-support est d'aplomb.
- Marquer les emplacements des trous pour les six tire-fonds, un pour chaque pied et deux sur chaque côté du bâti-support.
- Percer des trous pilotes (retirer le bâti-support si nécessaire) aux emplacements marqués.

REMARQUE : Si le bâti-support est installé sur un sous-plancher en béton, utiliser des boulons à expansion pour béton (non fournis) lors de la fixation des pieds sur le bâti-support.

- Fixer le bâti-support sur les montants de support avec des tire-fonds de 3/8 po x 2 po (51 mm) de long (minimum) (non fournis), un à chaque emplacement.

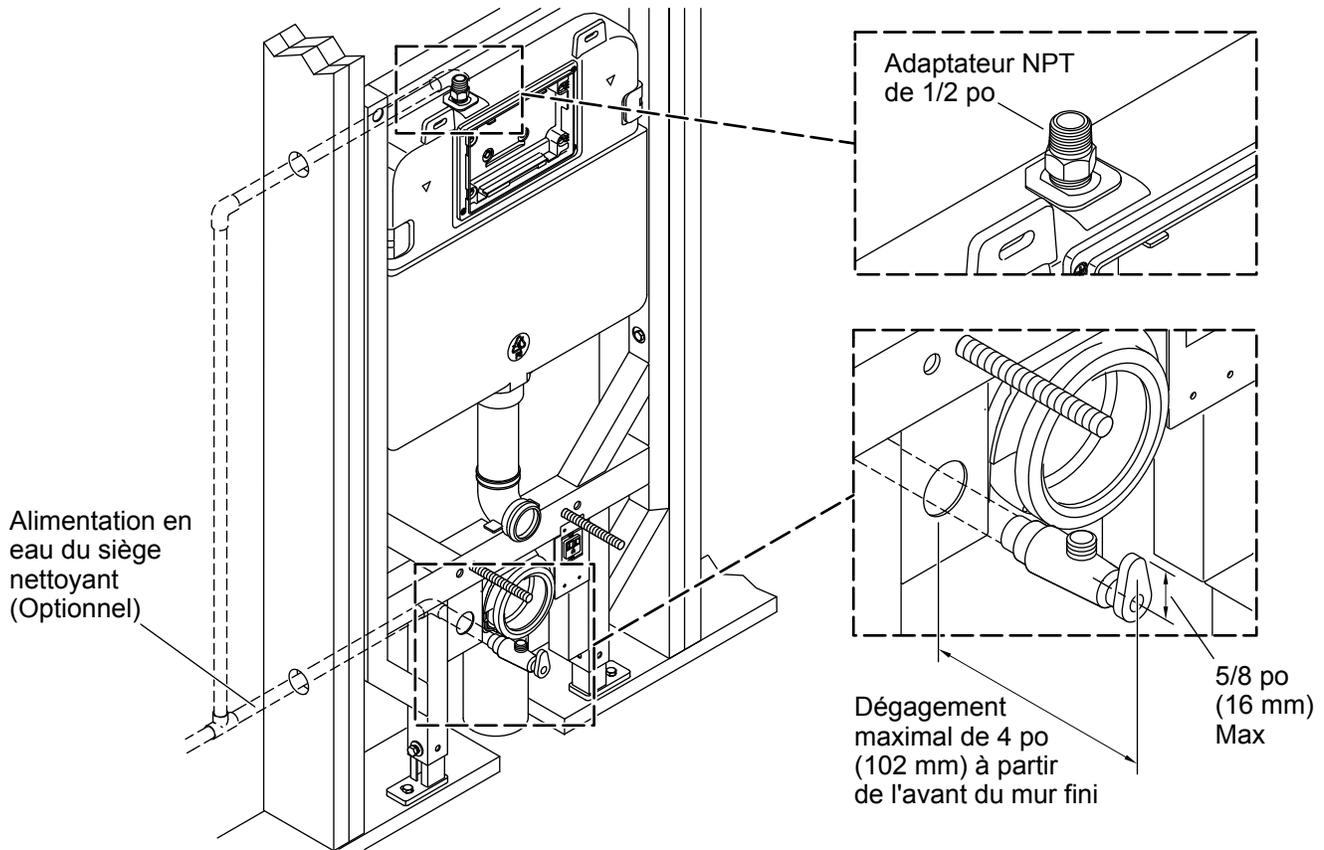
Pour les installations avec un siège nettoyant

⚠ AVERTISSEMENT : Risque de blessures. Débrancher l'alimentation électrique avant de raccorder les fils.

REMARQUE : Seulement suivre cette étape si un boîtier électrique a été installé dans la section « Préparer le bâti-support ».

- Connecter l'alimentation électrique conformément aux codes applicables.

5. Installer l'alimentation en eau



Toutes les installations

IMPORTANT! L'arrivée d'eau du siège nettoyant optionnel est illustrée. Installer seulement une deuxième alimentation en eau si un siège nettoyant est installé.

REMARQUE : L'orifice d'entrée de la vanne du réservoir utilise des filets G1/2. Si souhaité, installer un adaptateur NPT de 1/2 po sur l'orifice d'entrée de la vanne du réservoir.

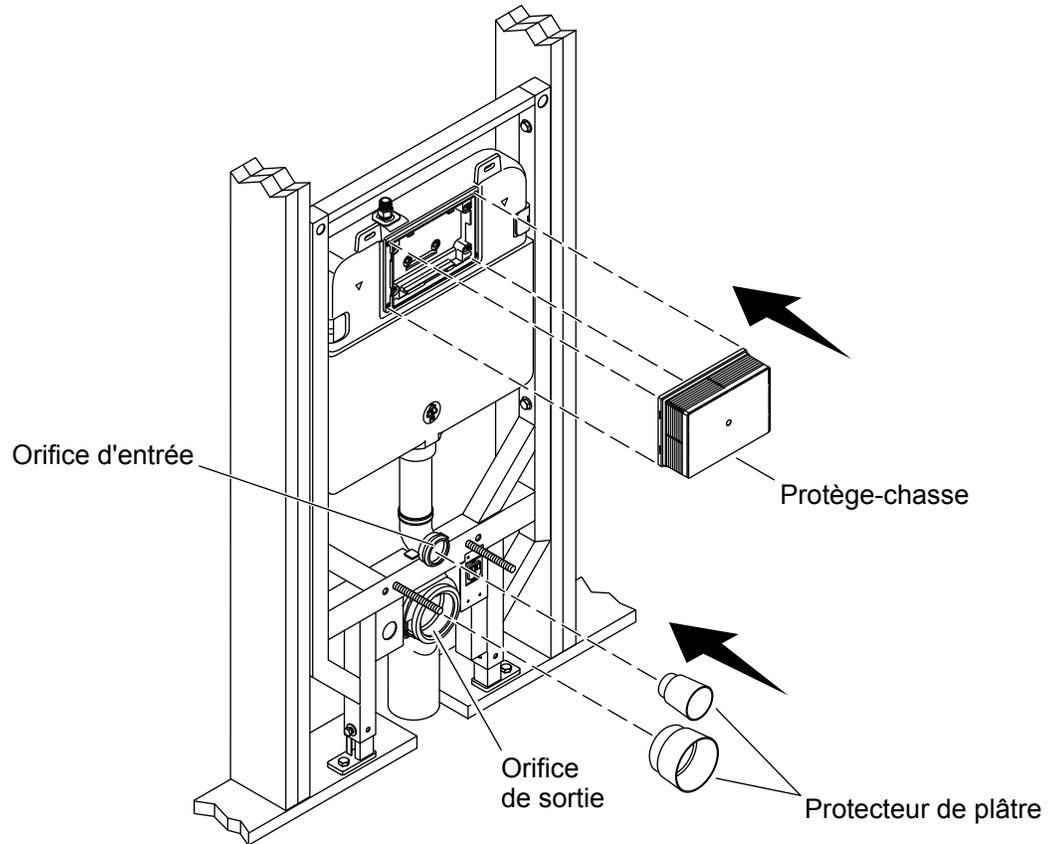
- S'assurer que le joint en caoutchouc est inséré dans l'adaptateur NPT de 1/2 po, le cas échéant.
- Installer un adaptateur NPT de 1/2 po si souhaité, et serrer solidement.
- Installer et connecter les conduites d'alimentation en eau.
- Connecter la conduite d'évacuation sur le coude du drain.

Pour les installations avec un siège nettoyant

IMPORTANT! Le robinet d'arrêt d'alimentation en eau du siège nettoyant doit se prolonger à partir du mur fini entre 3 po (76 mm) minimum et 4 po (102 mm) maximum pour permettre un accès à la poignée. La poignée du robinet d'arrêt d'alimentation en eau ne doit pas dépasser de plus de 7/8 po (22 mm) en hauteur par rapport au centre de l'alimentation en eau.

- Installer l'alimentation en eau du siège nettoyant et un robinet d'arrêt d'alimentation NPT de 1/2 po, d'un quart de tour.

6. Installer les protège-plâtres

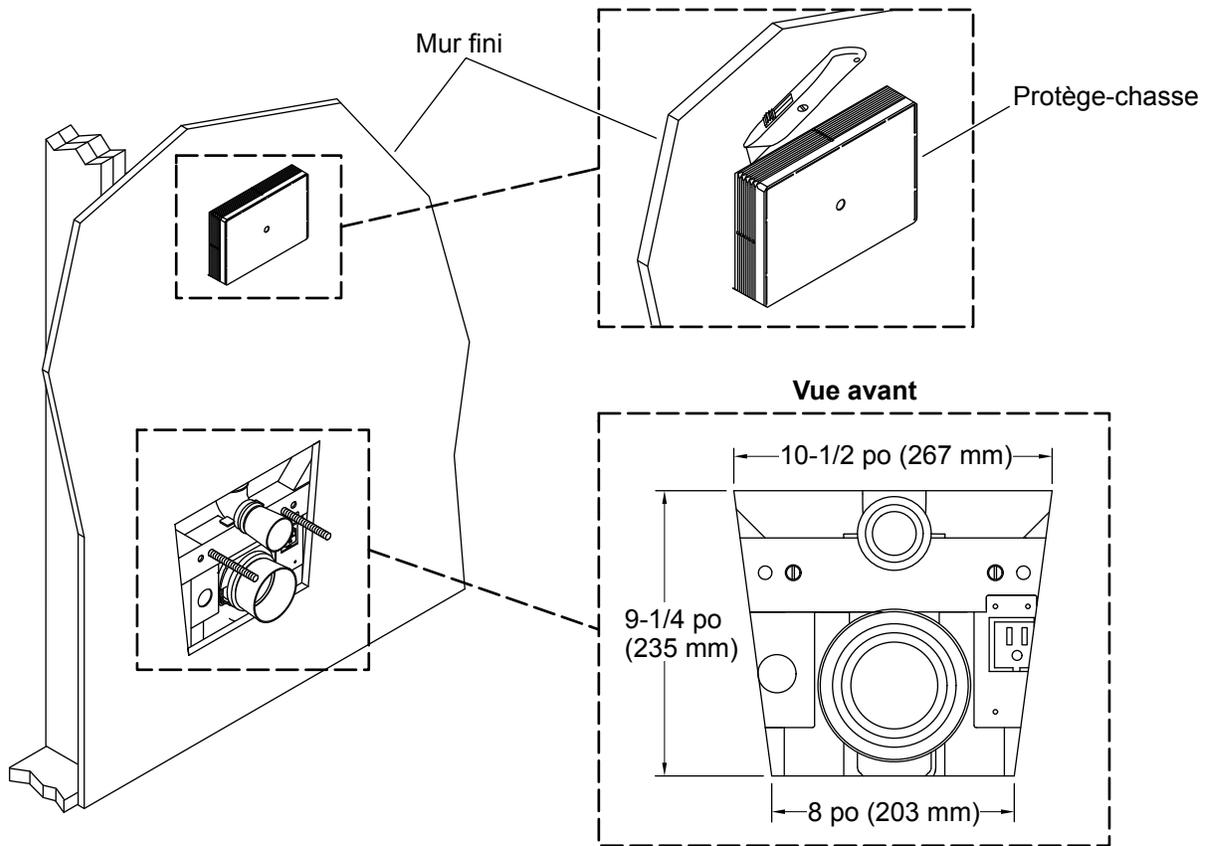


- Insérer les protège-plâtres dans les trous d'entrée et de sortie du bâti-support.

AVIS : Les pièces restantes seront nécessaires une fois que le mur fini sera terminé. Conserver ces pièces.

- Mettre les goupilles de verrouillage du cadre de l'actionneur et l'écrou de la cuvette, la rondelle et l'ensemble capuchon à l'intérieur du protège-chasse de manière à ce qu'ils soient disponibles plus tard lors de l'ouverture du protège-chasse.
- Installer le protège-chasse dans l'ouverture du robinet de chasse en l'enclenchant en place.

7. Installer le mur fini



⚠ ATTENTION : Risque d'endommagement du produit. Ne pas perforez le réservoir d'eau avec les dispositifs d'attache. Un modèle destiné à fixer le mur fini se trouve sur l'intérieur du couvercle du carton. Suspendre ce modèle sur le protège-chasse pour identifier l'emplacement du réservoir.

IMPORTANT! La plaque de plâtre pourrait compromettre la force de charge de l'installation de la toilette Kohler Co. recommande d'utiliser une planche en ciment ou un panneau d'appui pour tuiles pour le support du panneau mural.

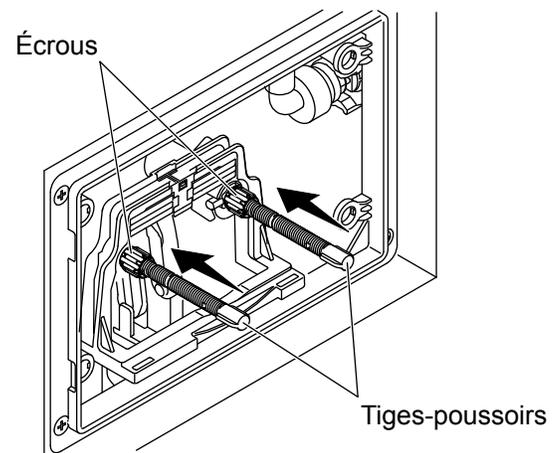
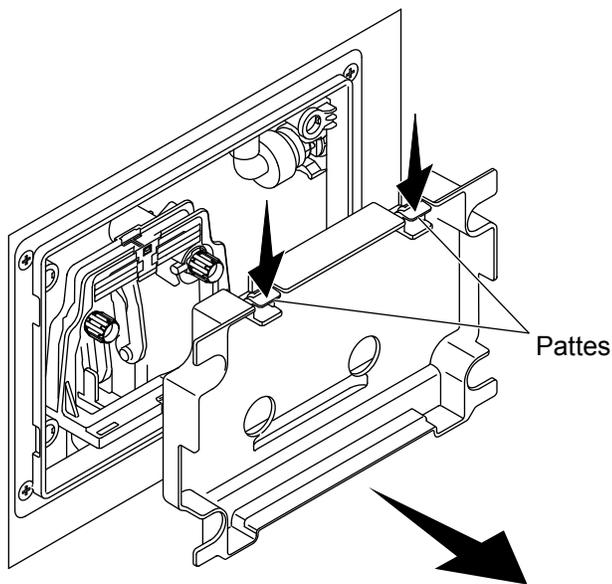
REMARQUE : L'épaisseur du mur ne doit pas dépasser 2-3/4 po (70 mm).

- Installer le mur fini.
- À l'aide d'un couteau utilitaire tranchant, couper le protège-chasse avec précaution au ras du mur fini.

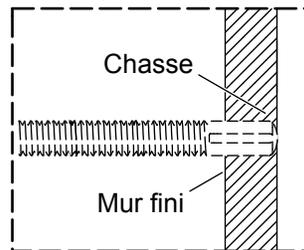
AVIS : Retirer et conserver les goupilles de verrouillage du cadre de l'actionneur et l'écrou de la cuvette, la rondelle et l'ensemble capuchon de l'intérieur du protège-chasse.

- Jeter la partie découpée du protège-chasse.

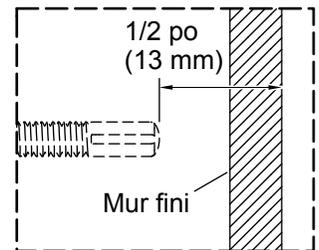
8. Installer les tiges-poussoirs



Modèles
K-4177, K-5413, K-8857



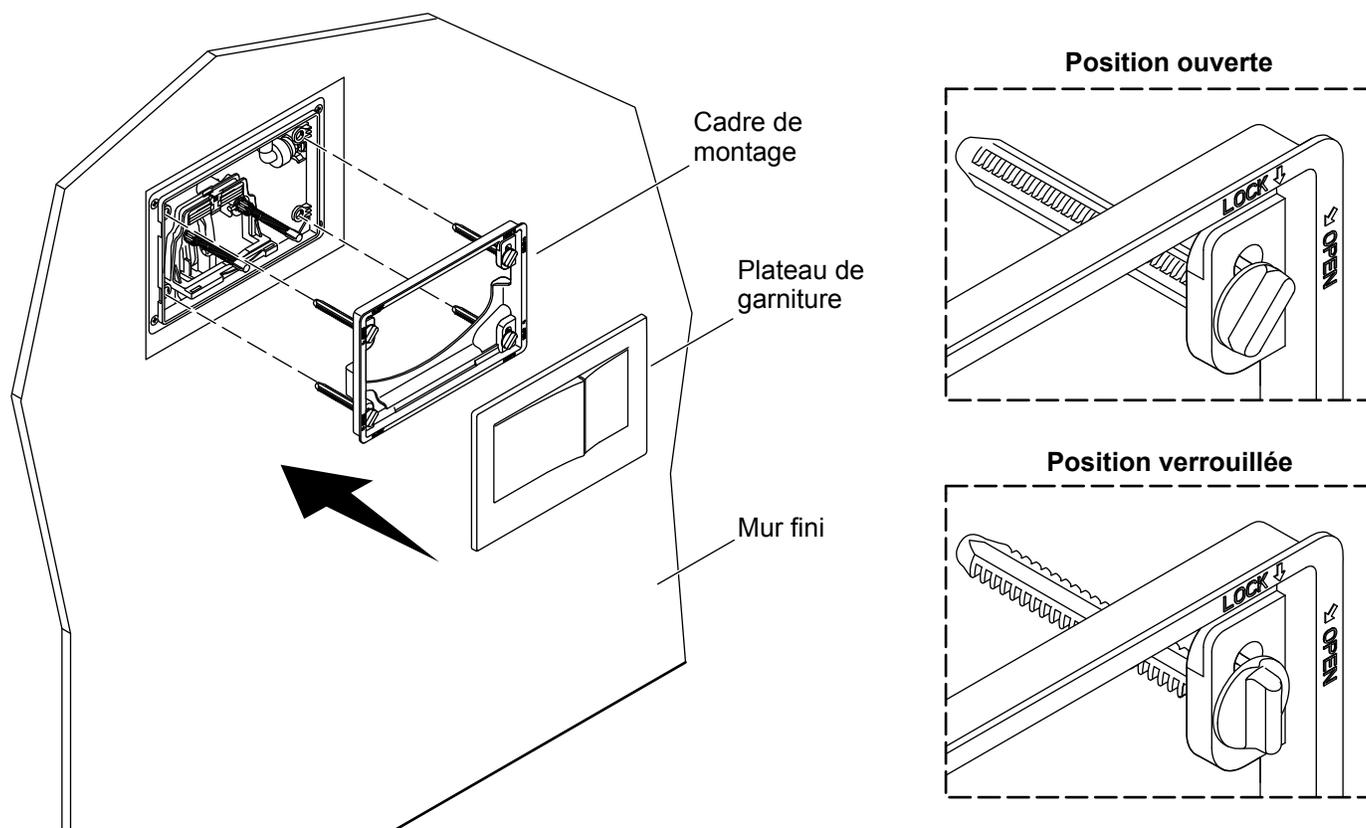
Autres modèles



AVIS : Le couvercle d'entretien comprend des renseignements sur la dépose et l'ajustement du robinet de chasse, la vanne de remplissage et la grille de débris. Conserver le couvercle d'entretien pour référence ultérieure.

- Retirer et conserver le couvercle d'entretien en appuyant sur les languettes et en tirant vers l'avant.
- Plateaux de garniture K-4177, K-5413 et K-8857 :** Enfiler les tiges-poussoirs dans l'ensemble de l'actionneur de manière à ce qu'elles soient à ras du mur fini.
- Tous les autres plateaux de garniture :** Enfiler les tiges-poussoirs dans l'ensemble de l'actionneur à 1/2 po (13 mm) à l'arrière du mur fini.
- Tous les modèles :** Si nécessaire, couper l'extrémité filetée des tiges-poussoirs.
- Fixer les tiges-poussoirs en place avec les écrous des tiges-poussoirs.

9. Installer le plateau de garniture



- Installer les goupilles de fixation dans le cadre de montage de la trousse du plateau de garniture.
- Tourner les goupilles de fixation à la position « Open » (ouvrir).
- Aligner le cadre de montage sur l'ouverture du réservoir et installer le cadre de montage contre le mur fini.
- Si nécessaire, couper les goupilles de verrouillage.
- Tourner les goupilles de fixation à la position « Lock » (verrouiller).
- Positionner le plateau de garniture par-dessus les tiges-poussoirs et l'enfoncer en place.
- Passer aux instructions d'installation de la cuvette pour terminer l'installation.

Dépannage

Ce guide de dépannage est seulement destiné à fournir une aide d'ordre général. Pour des problèmes ou questions concernant l'entretien et l'installation, composer le 1-800-4KOHLER.

Symptômes	Cause probable	Action recommandée
1. Chasse médiocre.	<p>A. Le niveau d'eau est trop bas.</p> <p>B. Mise à l'air incorrecte du tuyau d'évacuation.</p> <p>C. Tige mal ajustée.</p>	<p>A. Élever le niveau d'eau du réservoir jusqu'à la ligne d'eau marquée. Tourner le bouton blanc sur la vanne de remplissage dans le sens horaire.</p> <p>B. Installer la mise à l'air selon le code.</p> <p>C. Vérifier que les tiges filetées à l'arrière du plateau de garniture entrent en contact avec les boutons de chasse. Si elles n'entrent pas en contact, désenfiler les tiges jusqu'à la longueur correcte, puis serrer les écrous pour verrouiller les tiges en place.</p>
2. La vanne de remplissage ne s'arrête pas.	<p>A. Niveau d'eau trop haut.</p> <p>B. Le robinet de chasse ou son joint sont endommagés.</p> <p>C. Le robinet de chasse est coincé en position ouverte.</p>	<p>A. Abaisser le niveau d'eau du réservoir jusqu'à la ligne d'eau marquée. Tourner le bouton blanc sur la vanne de remplissage dans le sens antihoraire.</p> <p>B. Remplacer le joint statique du robinet de chasse ou le robinet de chasse au besoin.</p> <p>C. Vérifier que le robinet de chasse et le mécanisme d'actionnement se déplacent librement. Les actionneurs des boutons-poussoirs devraient relever les leviers puis se remettre en place sans force. Remplacer les composants au besoin.</p>
3. Fuites derrière la cuvette.	<p>A. Les joints statiques ne sont pas positionnés correctement.</p>	<p>A. Retirer la cuvette et examiner tous les joints statiques. Rectifier la position des joints statiques au besoin. Lubrifier les joints statiques afin qu'ils glissent par-dessus la pièce appariée qu'ils rendent étanches. Réinstaller la cuvette, en s'assurant que les joints statiques restent dans la position correcte.</p>
4. Le bâti-support et la cuvette fléchissent lorsqu'ils sont utilisés.	<p>A. Support insuffisant pour le cadre.</p>	<p>A. Ajouter des membres de support supplémentaires et monter le cadre avec des tire-fonds de 3/8 po ou plus.</p>
5. Pas d'écoulement d'eau.	<p>A. Le robinet d'arrêt d'alimentation se trouvant dans le réservoir est fermé.</p> <p>B. La conduite d'eau est obstruée.</p> <p>C. La grille de débris de la vanne de remplissage est bouchée.</p>	<p>A. Ouvrir le robinet d'arrêt d'alimentation (situé du côté gauche).</p> <p>B. Fermer le robinet d'arrêt d'alimentation en eau externe, puis déconnecter le tuyau tressé à l'emplacement où il est attaché sur la vanne de remplissage. Ouvrir l'alimentation en eau et vérifier que l'eau s'écoule à travers le tuyau. Inspecter le cheminement complet de l'eau pour y rechercher des obstructions. Dégager tous les blocages.</p> <p>C. Se reporter au couvercle d'entretien pour obtenir des instructions.</p>

Instrucciones de instalación

Tanque y armazón dentro de la pared

Gracias por elegir productos KOHLER

¿Necesita ayuda? Comuníquese con nuestro Centro de Atención al Cliente.

EE.UU./Canadá: 1-800-4KOHLER (1-800-456-4537)

México: 001-800-456-4537

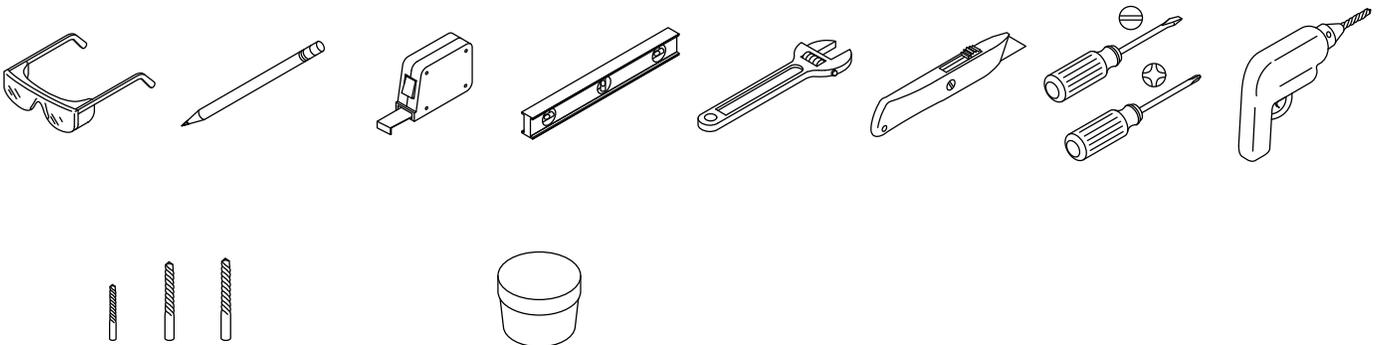
Para consultar información sobre piezas de repuesto, visite kohler.com/serviceparts.

Para consultar información de cuidado y limpieza, visite kohler.com/clean.

Garantía

A este producto lo cubre la **Garantía limitada para inodoros y asientos de inodoro de KOHLER®**, que puede consultarse en kohler.com/warranty. Solicite una copia en papel de los términos de la garantía al Centro de Atención al Cliente.

Herramientas y materiales



Brocas para taladro, surtidas Grasa de silicona para plomería

Más:

- Herramientas y materiales de carpintería
- Pernos de fijación de 3/8" x 2" (51 mm) mín.
- Pernos expansores para concreto de 3/8" x 2" (51 mm) mín. (para subpisos de concreto)
- Llave de paso de suministro de 1/2" NPT, de 1/4 de vuelta, con manija de 7/8" (22 mm) o más corta (BrassCraft® G23341X C1 o equivalente)
- Herramientas eléctricas diversas (opcional)

Antes de comenzar

⚠ AVISO: Riesgo de daños al producto o a la propiedad. No utilice productos para limpiar que se colocan dentro del tanque. Los productos que contienen cloro (hipoclorito de calcio) pueden dañar las piezas del tanque. Esto puede causar fugas y daños a la propiedad.

¡IMPORTANTE! Se requiere una estructura de postes de 2x4 o más grandes para esta instalación.

¡IMPORTANTE! La temperatura del agua en el tanque debe permanecer entre 33°F (0,5°C) y 80°F (26,6°C) para evitar que se congele o que se produzca condensación. Al instalar en una pared exterior, es necesario usar el aislante adecuado para asegurar que la temperatura se mantenga dentro de este rango.

NOTA: Si usa una estructura de postes de 2x6, coloque la salida de desechos a un ángulo de 45 grados en cualquier dirección.

NOTA: No use este producto como dispositivo de modernización para inodoros de 1,28 galones/descarga (4,8 litros/descarga).

NOTA: Kohler Co. ha probado con éxito este producto con respecto a su compatibilidad con tazas de inodoro KOHLER K-6918, K-6299 y K-6300. Los resultados pueden variar si se usa este producto con una taza de inodoro no compatible con el mismo.

NOTA: Se requiere el kit de caja eléctrica 1201721 al aparear el asiento de limpieza K-4744 con la taza de inodoro.

Desempaque y revise el armazón y el tanque para cerciorarse de que no estén dañados.

Durante la instalación, asegúrese de que los empaques y las conexiones del tubo de entrada permanezcan completamente embonados para asegurar el sello hermético.

Cumpla todos los códigos locales de plomería y construcción.

En instalaciones con asiento de limpieza

⚠ PRECAUCIÓN: Riesgo de lesiones personales. Conecte el suministro eléctrico del inodoro a un circuito protegido con un interruptor de circuito con pérdida a tierra (GFCI) o con un dispositivo de corriente residual (RCD).

Cumpla los códigos eléctricos locales.

Información del tubo de salida de desechos

PVC de 4 pulgadas

¡IMPORTANTE! Asegúrese de que la altura del tubo de salida de desechos sea la suficiente para que las estrías de goma en el adaptador queden insertadas por completo en el tubo de salida de desechos.

El tubo de salida de desechos de PVC de 4 pulgadas es más ancho que el encajonado en instalaciones de postes de 2x4. Esto requiere que usted ahueque el material de la pared en ambos lados de la pared de instalación para que quepa el tubo de desechos.

El centro de un tubo de salida de desechos de PVC de 4 pulgadas debe quedar de acuerdo a las instrucciones que aparecen en la sección "Instale la estructura de postes y la salida de desechos".

PVC de 3 pulgadas

Es posible que un acoplador de PVC o flexible sea más ancho que el encajonado en una instalación de postes de 2x4. Esto requiere que usted ahueque el material de la pared en ambos lados de la pared de instalación para que quepa el tubo de desechos.

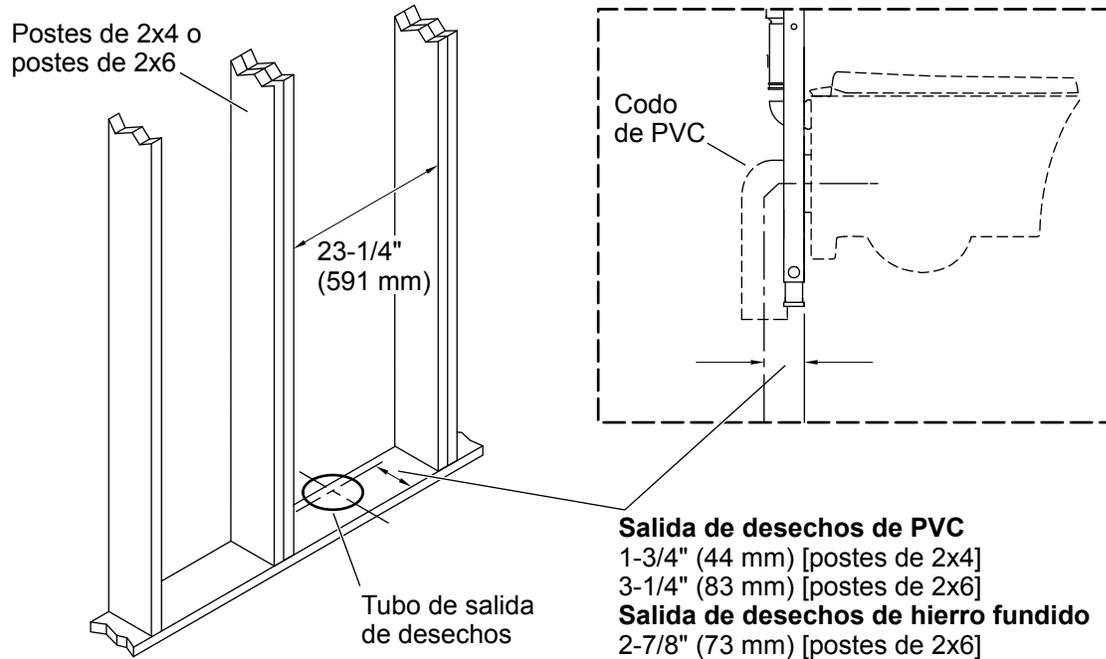
El centro de un tubo de salida de desechos de PVC de 3 pulgadas debe quedar de acuerdo a las instrucciones que aparecen en la sección "Instale la estructura de postes y la salida de desechos".

Hierro fundido

Un tubo de desechos de hierro fundido no podrá quedar centrado dentro de la estructura de postes de 2x4, y sobresaldrá por la parte posterior del encajonado de postes. Use una estructura de postes de madera de 2x6 o construya una zanja para tubería detrás de la estructura de 2x4 para los tubos de desecho de hierro fundido.

El centro de un tubo de salida de desechos de hierro fundido KOHLER K-7208 debe quedar de acuerdo a las instrucciones que aparecen en la sección "Instale la estructura de postes y la salida de desechos".

1. Instale la estructura de postes y la salida de desechos



¡IMPORTANTE! La dimensión del tubo de salida de desechos desde el borde delantero de la estructura de postes de madera al centro del tubo de salida es crítica para esta instalación. Consulte la ilustración anterior, y vea más detalles de las opciones de instalación de tubos de desechos en "Antes de comenzar".

NOTA: Consulte la hoja de especificaciones de este producto para obtener más detalles y las dimensiones de instalación.

NOTA: Es posible que deba cambiar la ubicación del tubo de salida de desechos para esta instalación.

NOTA: Se incluye un codo de PVC con este producto. En ciertas zonas es posible que el código requiera un codo de hierro fundido. Si se utiliza un codo de hierro fundido, tal vez sea necesario ajustar la altura de la tubería de desechos del inodoro.

NOTA: Use postes dobles a ambos lados del encajonado de postes.

NOTA: Cumpla todos los códigos pertinentes en su área.

Construya el encajonado de postes de acuerdo con las dimensiones que se muestran.

La ubicación de la línea central de la salida de desechos varía de acuerdo a la opción de tubo de salida de desechos que se elija. La línea central será:

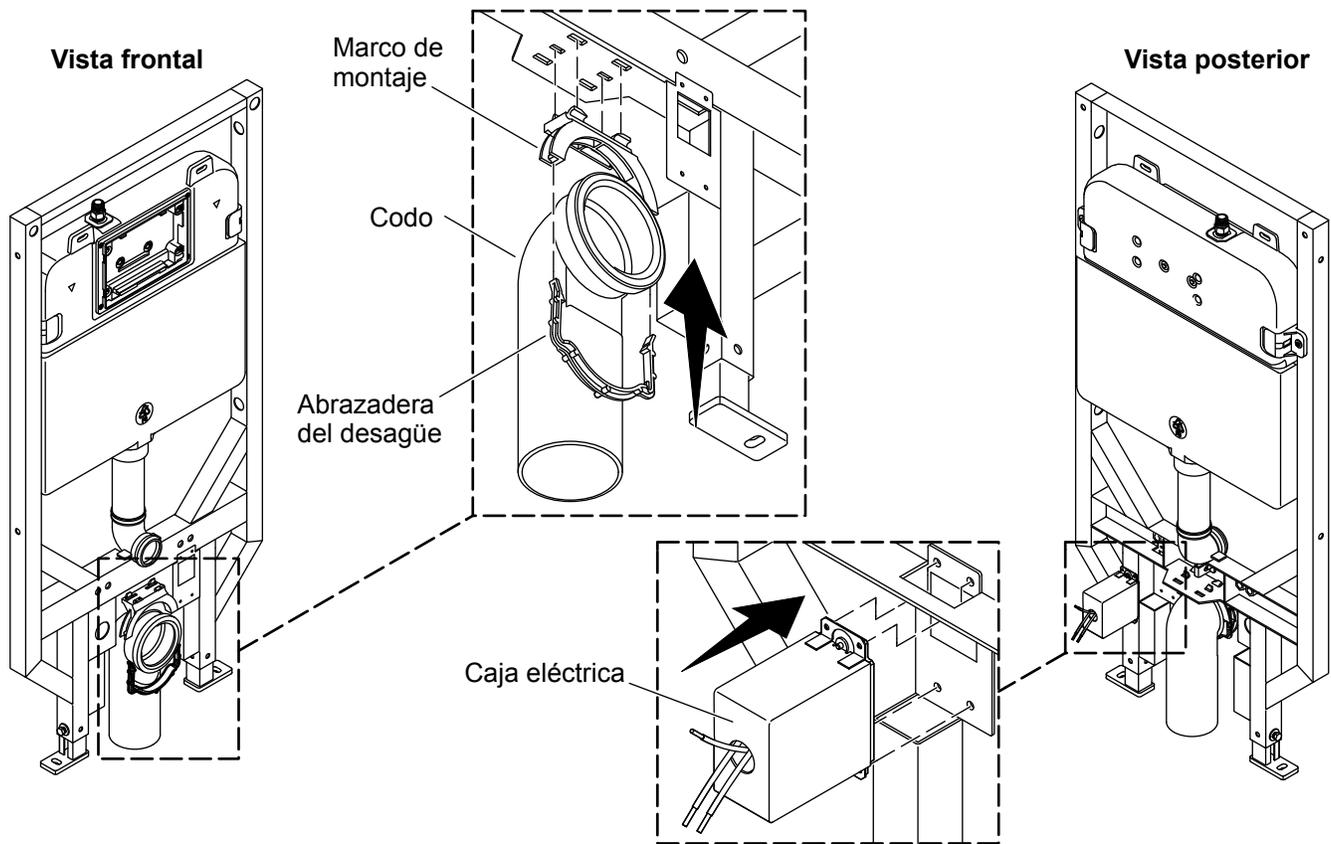
- 1-3/4" (44 mm) para una estructura de postes de 2x4 con una salida de desechos de PVC
- 3-1/4" (83 mm) para una estructura de postes de 2x6 con una salida de desechos de PVC
- 2-7/8" (73 mm) para una salida de desechos de hierro fundido medido desde el borde delantero de la estructura de postes

PVC de 4 pulgadas: Instale el adaptador estriado de goma (que incluimos) en el codo de PVC del armazón, e introdúzcalo en el tubo de salida de desechos de PVC de 4 pulgadas.

PVC de 3 pulgadas: Acople al codo de PVC del armazón mediante un acoplador flexible o un acoplador de PVC cementado.

Hierro fundido: Instale un tubo de desechos de hierro fundido de acuerdo con los métodos de instalación establecidos.

2. Prepare el armazón



Todas las instalaciones

NOTA: Si va a usar postes de 2x6, instale el marco de montaje en las muescas posteriores.

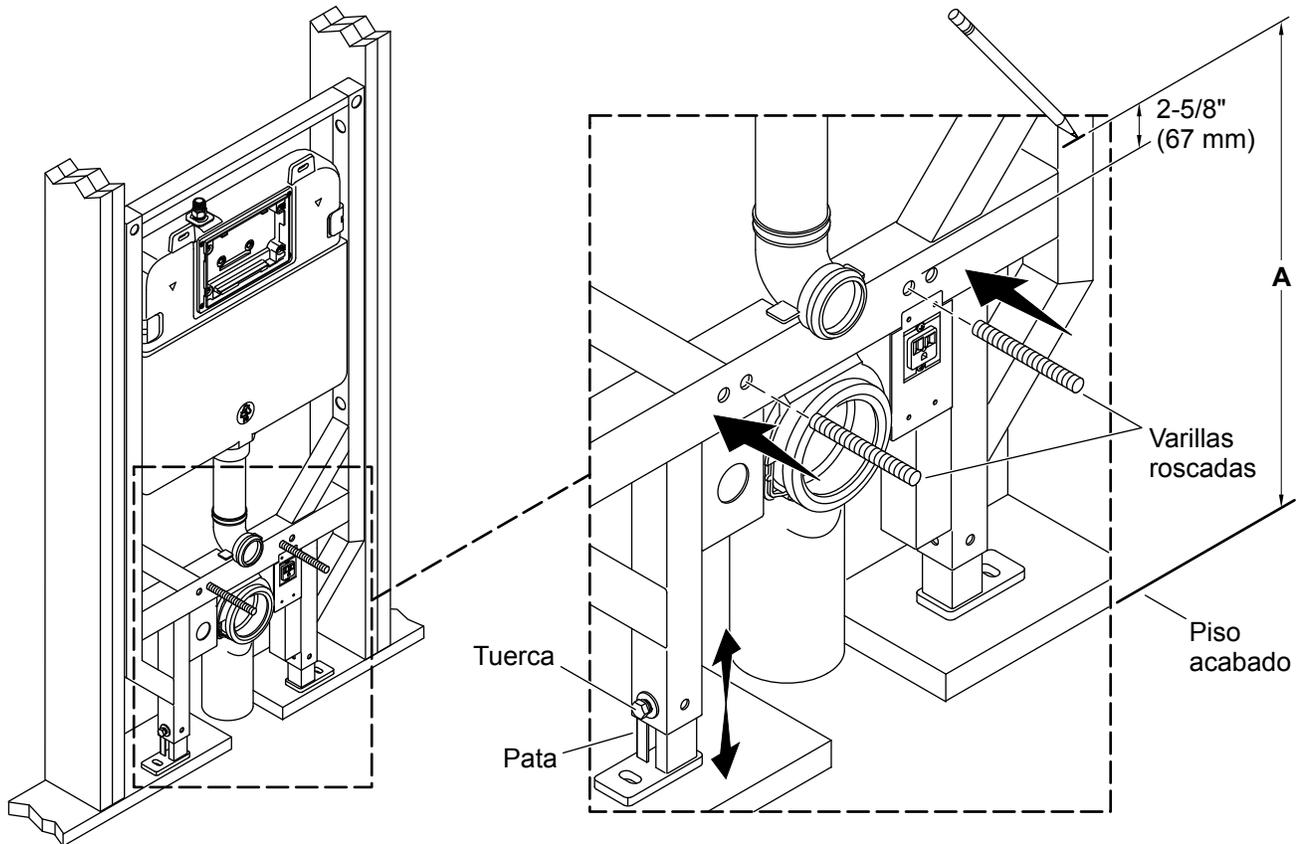
- Instale el marco de montaje en las muescas delanteras en la parte inferior del armazón.
- Introduzca el codo en el marco de montaje.
- Fije el codo en su lugar con la abrazadera del desagüe. Oprima la abrazadera hacia dentro del marco hasta que quede fija en su lugar.

En instalaciones con asiento de limpieza

NOTA: Se requiere el kit de caja eléctrica 1201721 al aparear el asiento de limpieza K-4744 con la taza de inodoro. En instalaciones estándar sáltese este paso.

- Conecte la caja eléctrica al armazón en el lugar que se indica.

3. Ajuste la altura del armazón



¡IMPORTANTE! Si no ajusta correctamente el armazón, es posible que la altura del reborde de la taza no cumpla los códigos pertinentes. Si la altura de la taza no es la correcta, se debe retirar la pared acabada para hacer los ajustes necesarios.

NOTA: La altura mínima del reborde es 15" (381 mm) cuando el piso acabado está parejo con la parte inferior de las patas del armazón. La altura máxima del reborde es 23" (584 mm) cuando las patas están completamente elevadas. El armazón se puede ajustar hasta 8" (203 mm), siendo 6" (152 mm) o menos el ajuste suficiente en la mayoría de las instalaciones.

- Mueva el armazón a su lugar en el encajonado de postes.
- Fije temporalmente el armazón en su lugar, de manera que no se caiga.
- Instale las varillas roscadas al armazón, dándoles varias vueltas.
- Haga una marca en el armazón 2-5/8" (67 mm) arriba de la parte superior de la varilla roscada.
- Mida desde el piso acabado hasta la marca (A) para determinar la altura del reborde de la taza.
- Afloje las tuercas que fijan las patas al armazón.

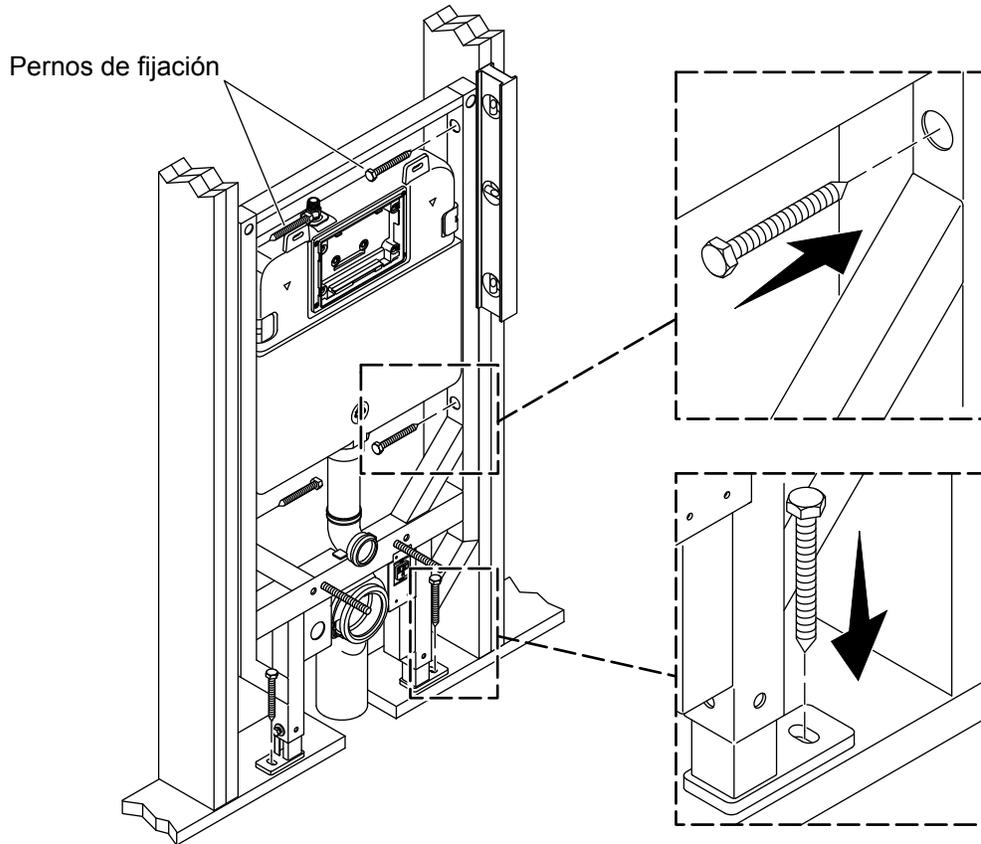
NOTA: Al ir bajando el armazón, asegúrese de que el codo quede alineado con el tubo de salida de desechos.

NOTA: Si aplica, confirme que el empaque en el codo quede correctamente instalado al ir entrando en el tubo de salida de desechos.

NOTA: Si se requiere un codo de hierro fundido, haga las conexiones de acuerdo a los códigos pertinentes.

- Ajuste el armazón hasta que quede a la altura deseada. Con una llave apriete las tuercas para fijar las patas en su lugar.

4. Instale el armazón



- Coloque el frente de la estructura de postes a que quede al ras o a no más de 1/16" (2 mm) detrás de la cara de los postes de madera. Si la estructura de postes sobresale de la cara de los postes de madera, el material de la pared podría resultar dañado. Si el frente de la estructura de postes queda muy atrás, la taza no quedará soportada por completo y podría moverse al ser usada.
- Verifique que el frente del armazón esté a plomo.
- Marque los lugares de los orificios para los seis tornillos de rosca para madera, uno para cada pata y dos a cada lado del armazón.
- Taladre orificios guía (retire el armazón si es necesario) en los lugares marcados.

NOTA: Si el armazón se instala en un subpiso de concreto, use pernos expansores para concreto (no se incluyen) al fijar las patas del armazón.

- Fije el armazón a los postes de soporte con tornillos de rosca para madera largos de 3/8" x 2" (51 mm) (mínimo) (no se incluyen), uno en cada lugar.

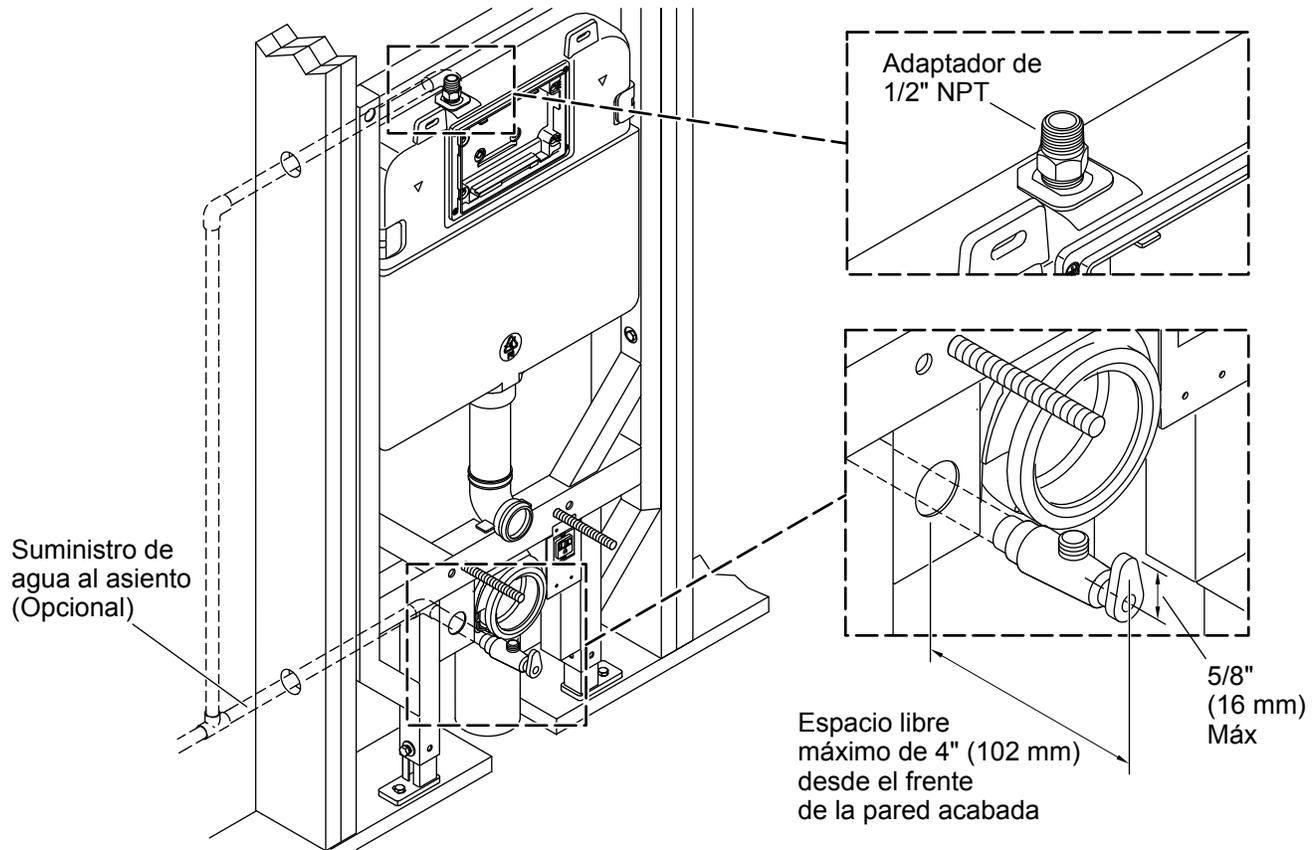
En instalaciones con asiento de limpieza

⚠ AVISO: Riesgo de lesiones personales. Desconecte el suministro eléctrico antes de conectar los cables.

NOTA: Solo siga este paso si instaló una caja eléctrica en la sección "Prepare el armazón".

- Conecte el suministro eléctrico de acuerdo a los códigos pertinentes.

5. Instale el suministro de agua



Todas las instalaciones

¡IMPORTANTE! Se muestra un suministro opcional de agua al asiento de limpieza. Solo instale un segundo suministro de agua si instala un asiento de limpieza.

NOTA: La entrada a la válvula del tanque tiene rosca G1/2. Si lo desea, instale un adaptador de 1/2" NPT a la entrada de la válvula del tanque.

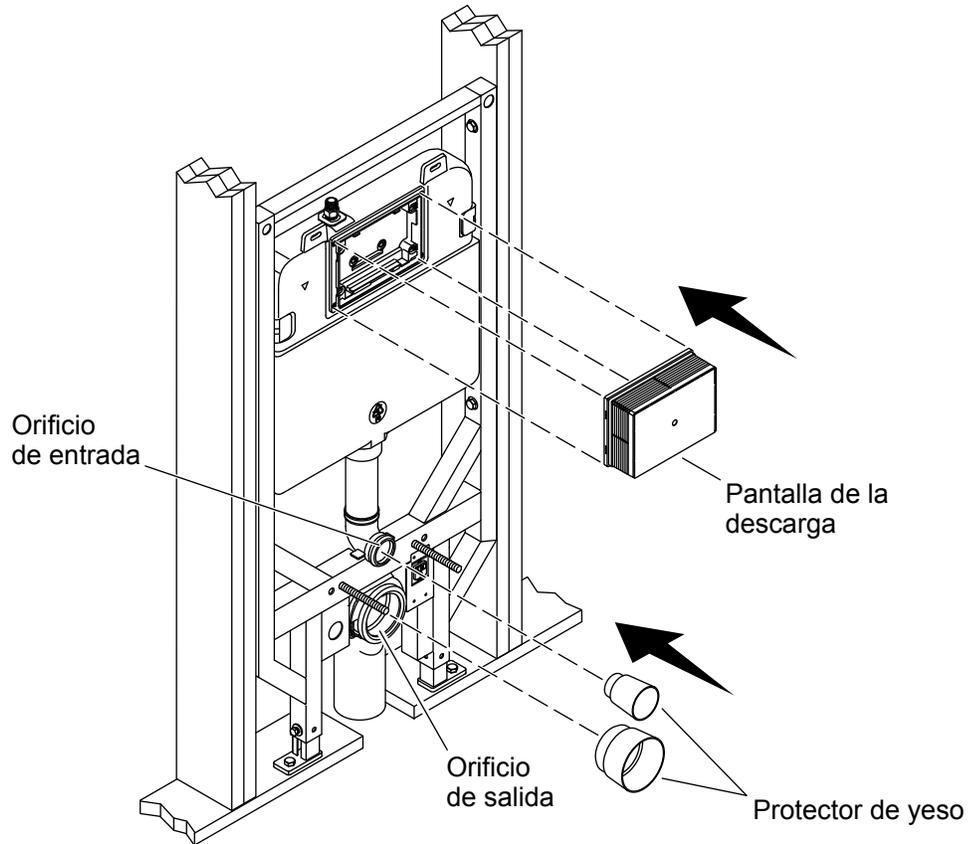
- Asegúrese de que el sello de goma se inserte en el adaptador de 1/2" NPT, si se usa.
- Instale un adaptador de 1/2" NPT, si lo desea, y apriete con firmeza.
- Instale y conecte las líneas de suministro de agua.
- Conecte el tubo de desechos al codo del desagüe.

En instalaciones con asiento de limpieza

¡IMPORTANTE! La llave de paso del suministro de agua al asiento de limpieza debe sobresalir de la pared acabada entre 3" (76 mm) como mínimo y 4" (102 mm) como máximo para permitir acceso a la manija. La manija de la llave de paso del suministro de agua no debe quedar más arriba de 7/8" (22 mm) del centro del suministro de agua.

- Instale el suministro de agua del asiento de limpieza y una llave de paso de 1/2" NPT, de 1/4 de vuelta.

6. Instale los protectores de yeso

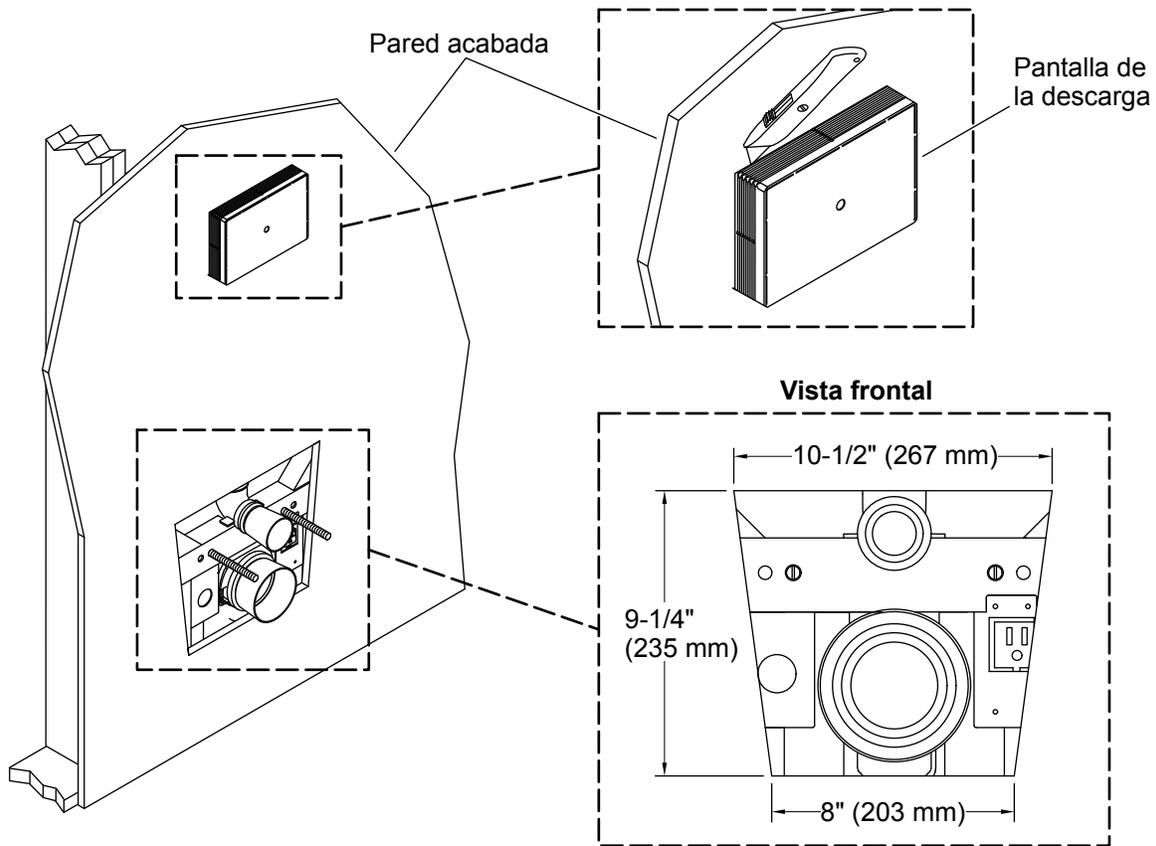


- Introduzca los protectores para yeso en los orificios de entrada y de salida del armazón.

AVISO: Necesitará las piezas restantes después de que termine de hacer la pared acabada. Conserve estas piezas.

- Coloque las clavijas de bloqueo del marco de los accionadores y la tuerca, la arandela y el conjunto de tapas de la taza dentro de la pantalla de descarga para que queden disponibles después cuando abra la pantalla de la descarga.
- Instale la pantalla de descarga en la abertura para la válvula de descarga, metiéndola a presión en su lugar.

7. Instale el acabado de la pared



⚠ PRECAUCIÓN: Riesgo de daños al producto. No perforo el tanque de agua con los sujetadores. En el interior la tapa de la caja se incluye una plantilla para ayudarle a fijar la pared acabada. Cuelgue esta plantilla en la pantalla de la descarga para identificar la ubicación del tanque.

¡IMPORTANTE! La tablarroca puede afectar negativamente la resistencia a la carga de la instalación del inodoro. Kohler Co. recomienda usar panel de cemento o tablero de refuerzo para azulejo como refuerzo para el panel de yeso.

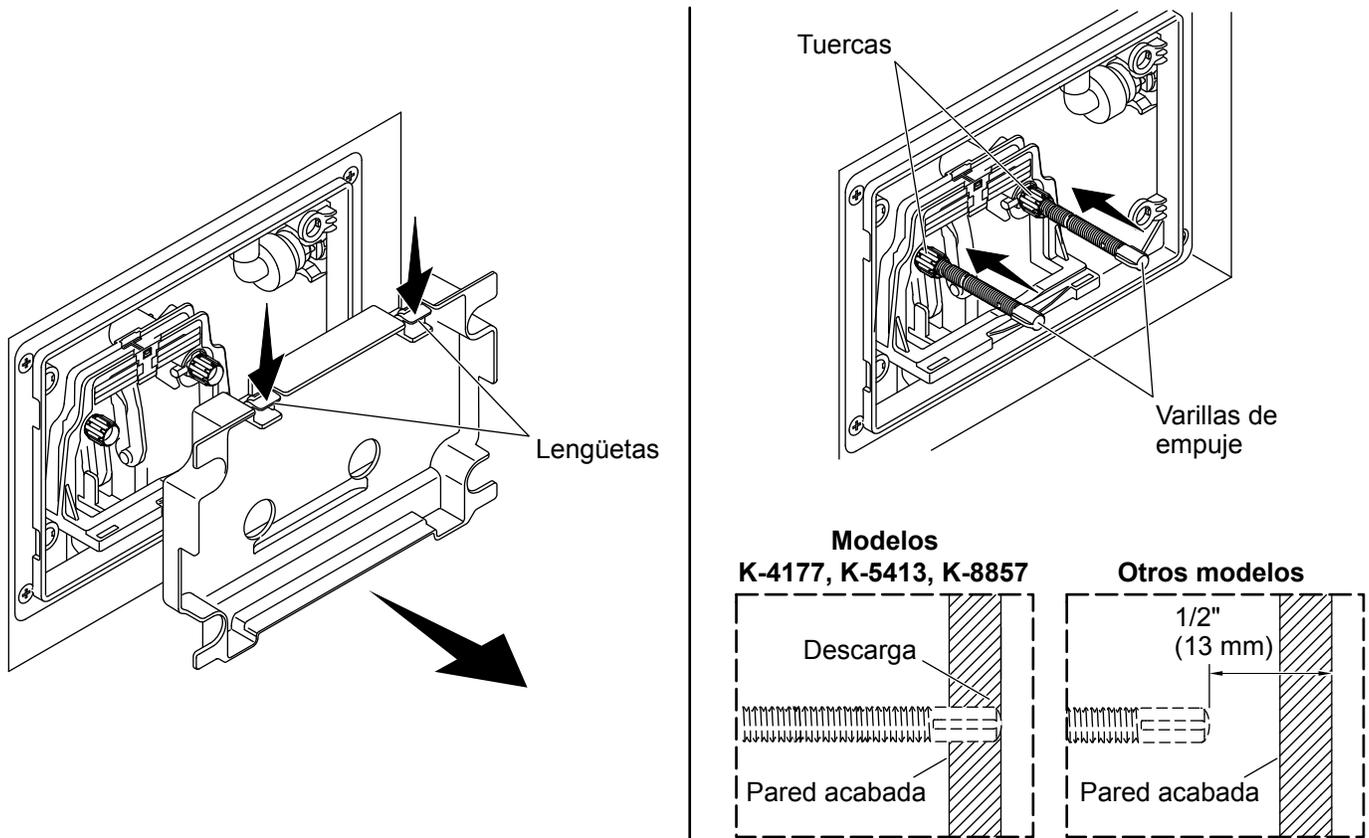
NOTA: El espesor de la pared no debe exceder 2-3/4" (70 mm).

- Instale el acabado de la pared.
- Con una navaja recorte con cuidado la pantalla de la descarga a que quede pareja con la pared acabada.

AVISO: Saque las clavijas de bloqueo del marco de los accionadores y la tuerca, la arandela y el conjunto de tapas de la taza desde el interior de la pantalla de la descarga.

- Deseche la porción recortada de la pantalla.

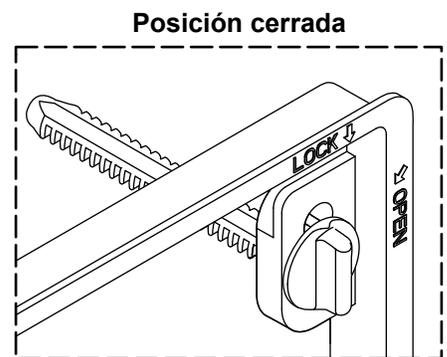
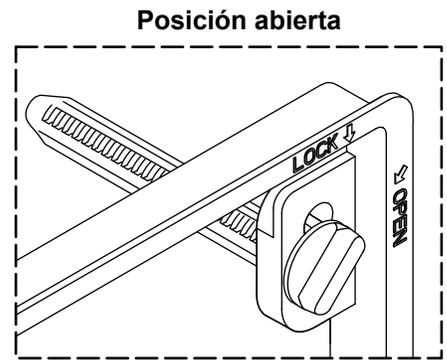
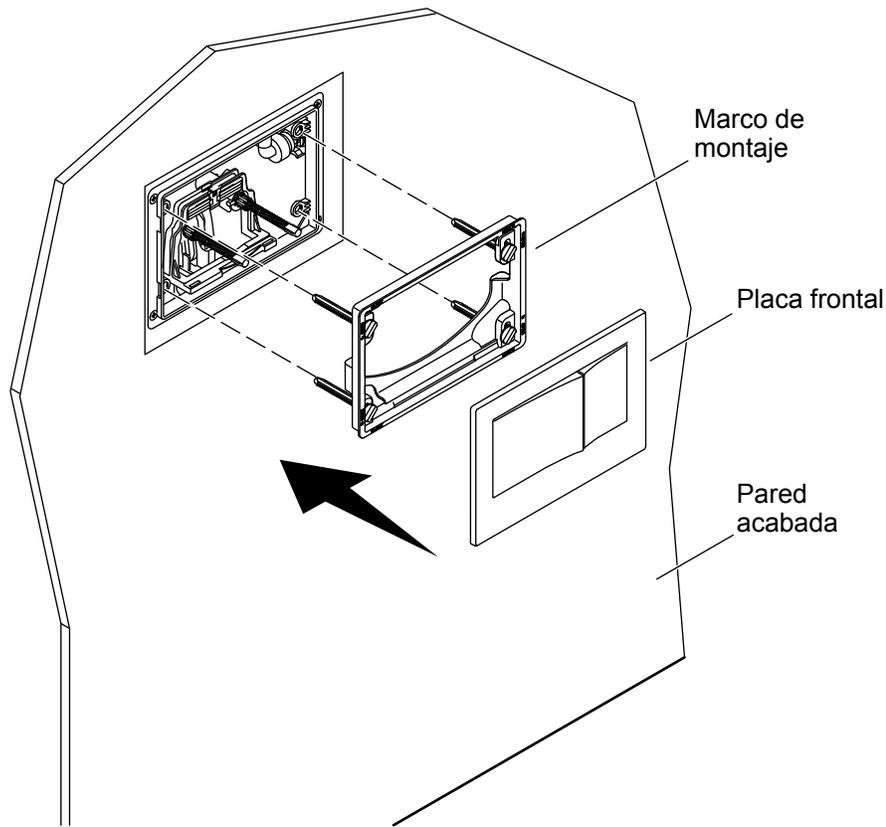
8. Instale las varillas de empuje



AVISO: La cubierta de servicio contiene información acerca del desmontaje y el ajuste de la válvula de descarga, la válvula de llenado y la rejilla para desperdicios. Conserve la cubierta de servicio como referencia futura.

- Oprima hacia abajo las lengüetas y jale hacia adelante la cubierta de servicio para retirarla y conservarla.
- Placas frontales K-4177, K-5413 y K-8857:** Enrosque las varillas de empuje en el ensamblaje de accionadores a que queden al ras con la pared acabada.
- El resto de las placas frontales:** Enrosque las varillas de empuje en el ensamblaje de los accionadores 1/2" (13 mm) detrás de la pared acabada.
- Todos los modelos:** De ser necesario, recorte el extremo roscado de las varillas de empuje.
- Fije las varillas de empuje en su lugar con las tuercas de las varillas de empuje.

9. Instale la placa frontal



- Instale las clavijas de bloqueo (del kit de la placa frontal) en el marco de montaje.
- Gire las clavijas de bloqueo a la posición abierta "Open".
- Alinee el marco de montaje con la abertura del tanque, e instale el marco de montaje contra la pared acabada.
- De ser necesario, recorte las clavijas de bloqueo.
- Gire las clavijas de bloqueo a la posición cerrada "Lock".
- Coloque la placa frontal sobre las varillas de empuje y presiónela en su lugar.
- Proceda a las instrucciones de instalación de la taza de inodoro para completar la instalación.

Resolución de problemas

Esta guía de resolución de problemas está diseñada únicamente como ayuda general. Si tiene preguntas acerca de servicio e instalación, llame al 1-800-4KOHLEER.

Síntomas	Causa probable	Acción recomendada
1. Descarga deficiente.	<p>A. El nivel de agua es demasiado bajo.</p> <p>B. Venteo inadecuado de la línea de desagüe.</p> <p>C. Varilla mal ajustada.</p>	<p>A. Suba el nivel de agua en el tanque a la línea de agua marcada. Gire hacia la derecha la perilla blanca en la válvula de llenado.</p> <p>B. Instale venteo de acuerdo al código.</p> <p>C. Verifique que las varillas roscadas detrás de la placa frontal hagan contacto con los botones de descarga. Si no hacen contacto, desenrosque las varillas a que lleguen a la longitud correcta y apriete las tuercas para fijar las varillas en su lugar.</p>
2. La válvula de llenado no cierra.	<p>A. El nivel de agua es demasiado alto.</p> <p>B. El empaque de la válvula de descarga o la válvula de descarga están dañados.</p> <p>C. La válvula de descarga se atora en la posición abierta.</p>	<p>A. Baje el nivel de agua en el tanque a la línea de agua marcada. Gire hacia la izquierda la perilla blanca en la válvula de llenado.</p> <p>B. Cambie el empaque de la válvula de descarga o la válvula de descarga, si fuera necesario.</p> <p>C. Revise que la válvula de descarga y que el mecanismo de activación se puedan mover con libertad. Los accionadores de los botones deben elevar las palancas y luego regresar sin fuerza. Cambie los componentes que sea necesario.</p>
3. Hay fugas detrás de la taza.	<p>A. Los empaques no están bien colocados.</p>	<p>A. Retire la taza y revise todos los empaques. Cambie la posición de los empaques si es necesario. Lubrique los empaques de manera que se deslicen sobre la pieza de embone que sellan. Vuelva a instalar la taza, asegurándose de que los empaques permanezcan en la posición correcta.</p>
4. El armazón y la taza se flexionan durante el uso.	<p>A. Insuficiente soporte para la estructura.</p>	<p>A. Agregue piezas de soporte adicionales, y monte la estructura con tornillos de rosca para madera de 3/8 pulg. o más grandes.</p>
5. No hay flujo de agua.	<p>A. La llave de paso de suministro en el tanque está cerrada.</p> <p>B. Hay una obstrucción en la línea de agua.</p> <p>C. La rejilla para desperdicios de la válvula de llenado está tapada.</p>	<p>A. Abra la llave de paso de suministro (que está en el lado izquierdo).</p> <p>B. Cierre la llave de paso de suministro externa, y luego desconecte la manguera trenzada donde se fija a la válvula de llenado. Abra el suministro de agua y verifique el flujo a través de la manguera. Revise si hay obstrucciones en la ruta de agua. Elimine las obstrucciones.</p> <p>C. Consulte instrucciones en la cubierta de servicio.</p>

USA/Canada: 1-800-4KOHLER (1-800-456-4537)
Mexico: 001-800-456-4537
kohler.com

THE BOLD LOOK
OF **KOHLER**®

©2021 Kohler Co.



1430967-2

1430967-2-B