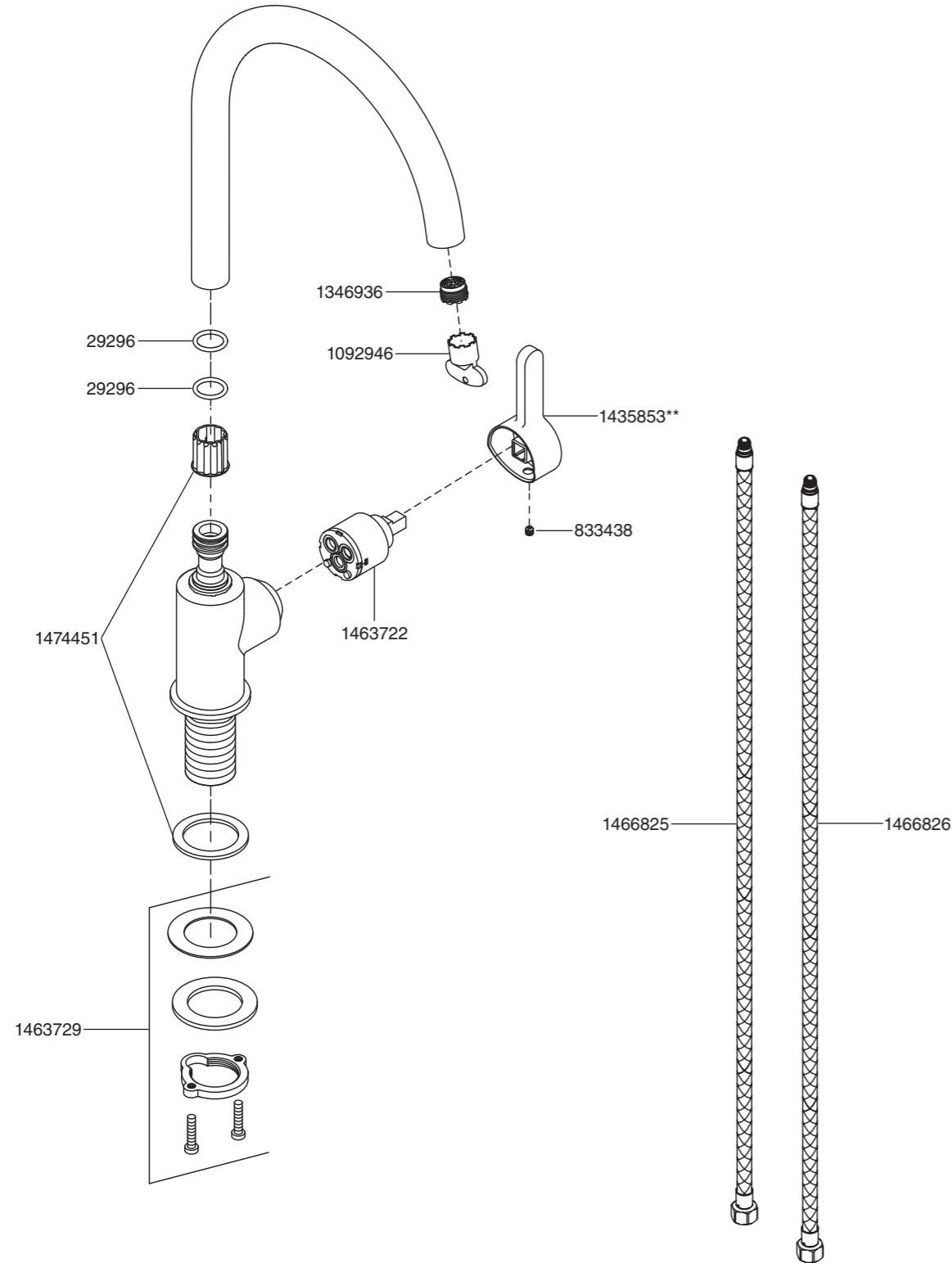


25980K-4 SWIVEL KITCHEN FAUCET UPRIGHT HANDLE



**Finish code must be specified when ordering.

25980K-4 SWIVEL KITCHEN FAUCET UPRIGHT HANDLE

BEFORE YOU BEGIN

All information is based on the latest product information available at the time of publication. Kohler Co. reserves the right to make changes in product characteristics, packaging, or availability at any time without notice.

Please leave these instructions for the consumer. They contain important information.

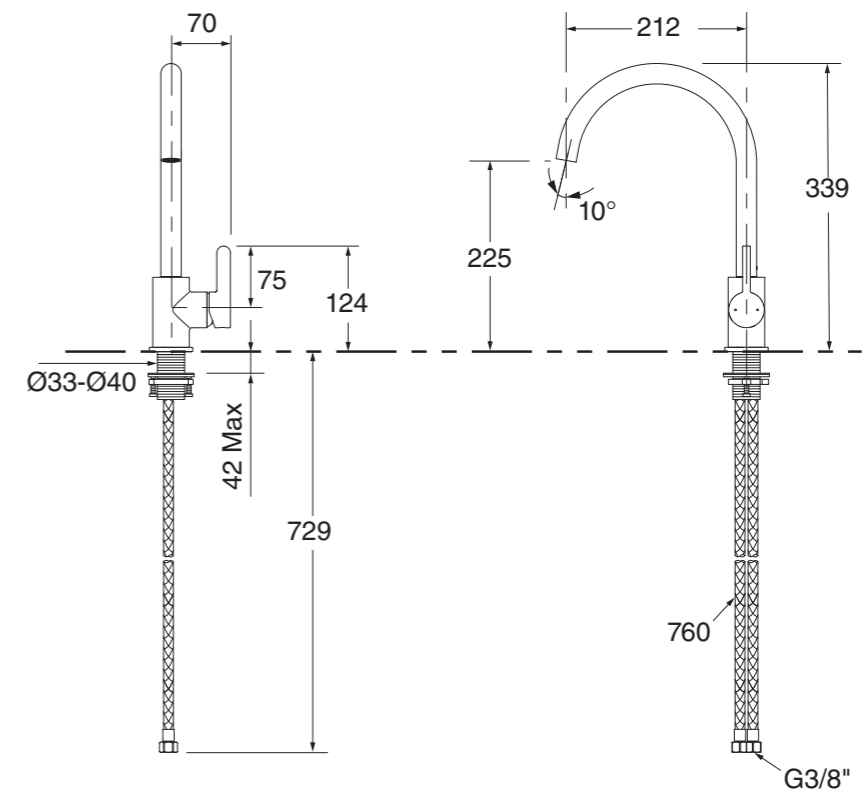
NOTES:

1. Inspect the supply pipes for damage and leakage. Replace and maintain as necessary.
2. Flush the water supply pipes thoroughly to remove any debris.
3. If possible, install this faucet before installing sink.

HANDLE OPERATION

Lift the handle gently. Turn clockwise for cold water, turn counter-clockwise for hot water.

ROUGHING-IN DIMENSION (in mm)



INSTALLATION

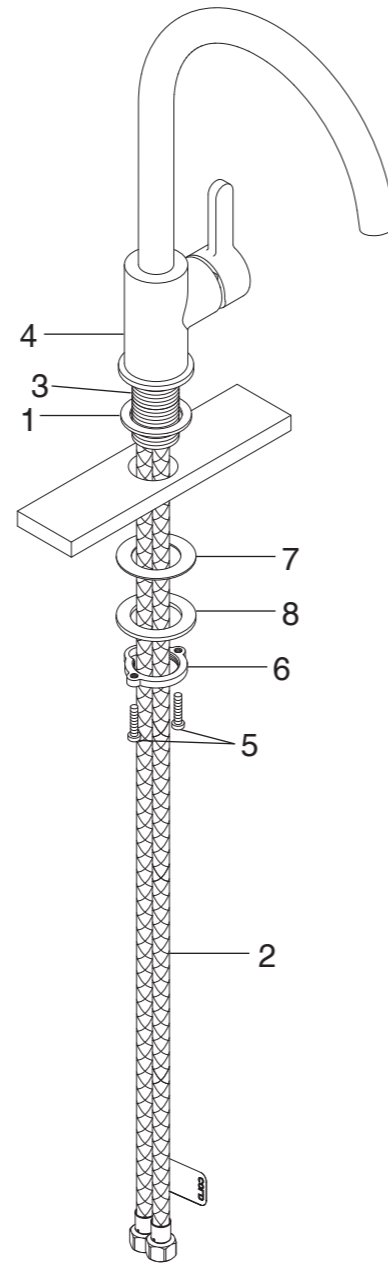
How to Install the Faucet

Slide the washer (1) over the hoses (2) and shank (3) until it is put into the groove of the faucet (4) bottom.

From upside of the sink, insert the faucet assembly into the mounting hole until the faucet bottom contacts the deck.

Partially thread two screws (5) into the threaded ring (6). From underside of the sink, place the washer (7), metal washer (8) and threaded ring with two screws over the shank (3). Position the faucet. Thread the threaded ring onto the shank until the washers contact the underside of the sink. Tighten two screws (5) to secure the faucet to the sink.

Attach the hoses (2) to water supplies. The blue hose should be connected to cold water. The red hose should be connected to hot water.

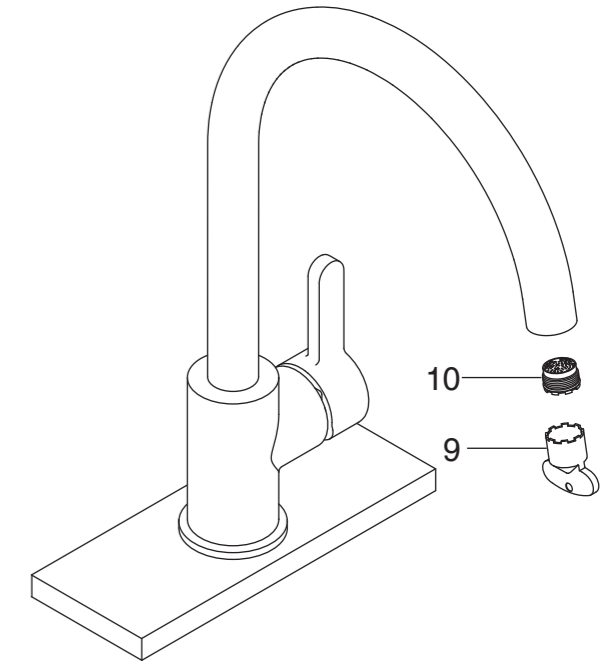


INSTALLATION CHECKOUT

Ensure all connections are tightened and the handle is in the off position.

Open the drain. Turn on main water supply and check for leaks. Repair as needed.

Remove the aerator (10) with key (9). Turn on the faucet. Run hot and cold water through the spout for about one-minute to remove any debris. Remove debris from the aerator. Shut off the faucet and reinstall the aerator.



CLEANING INSTRUCTIONS

All Finishes: Clean the finish with mild soap and warm water. Wipe entire surface completely dry with clean soft cloth. Many cleaners may contain chemicals, such as ammonia, chlorine, toilet cleaner etc. which could adversely affect the finish and are not recommended for cleaning.

Do not use abrasive cleaners or solvents on Kohler faucets and fittings.

"LEAD FREE" is marked on the back of the faucet signifying its compliance with the United States AB1953