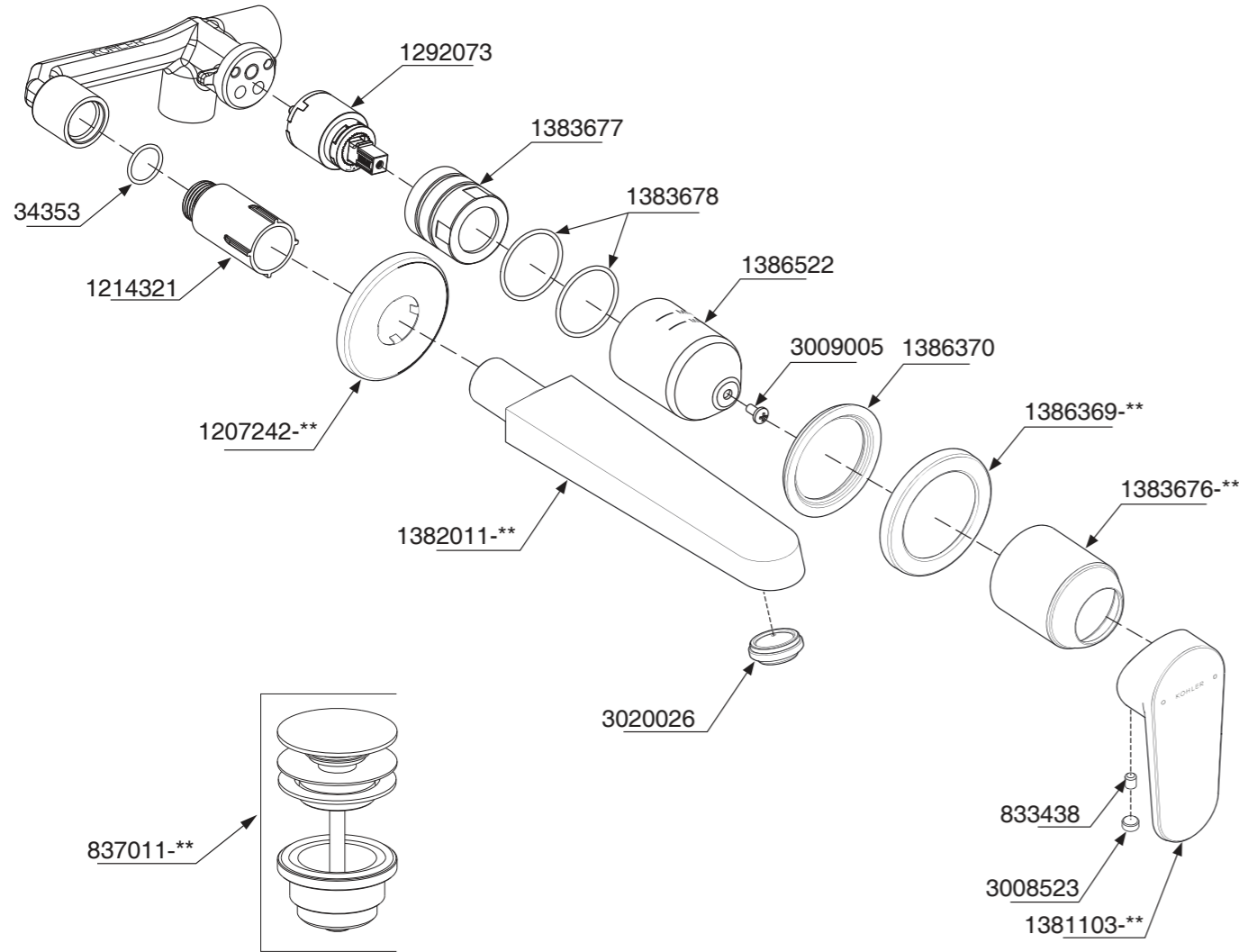


26048K-4 Single control wall mount lavatory faucet with valve



**Color code must be specified when ordering.

NOTE: For all Asia pacific regions (excluding China) add SP (SPxxxxxx**) in front of the part number when ordering.

Call Center: +(66) 2700 9299
e-mail: callcenterthailand@kohler.com

26048K-4 Single control wall mount lavatory faucet with valve

BEFORE YOU BEGIN

All information is based on the latest product information available at the time of publication. Kohler Co. reserves the right to make changes in product characteristics, packaging, or availability at any time without notice.

Please leave these instructions for the consumer. They contain important information.

NOTES:

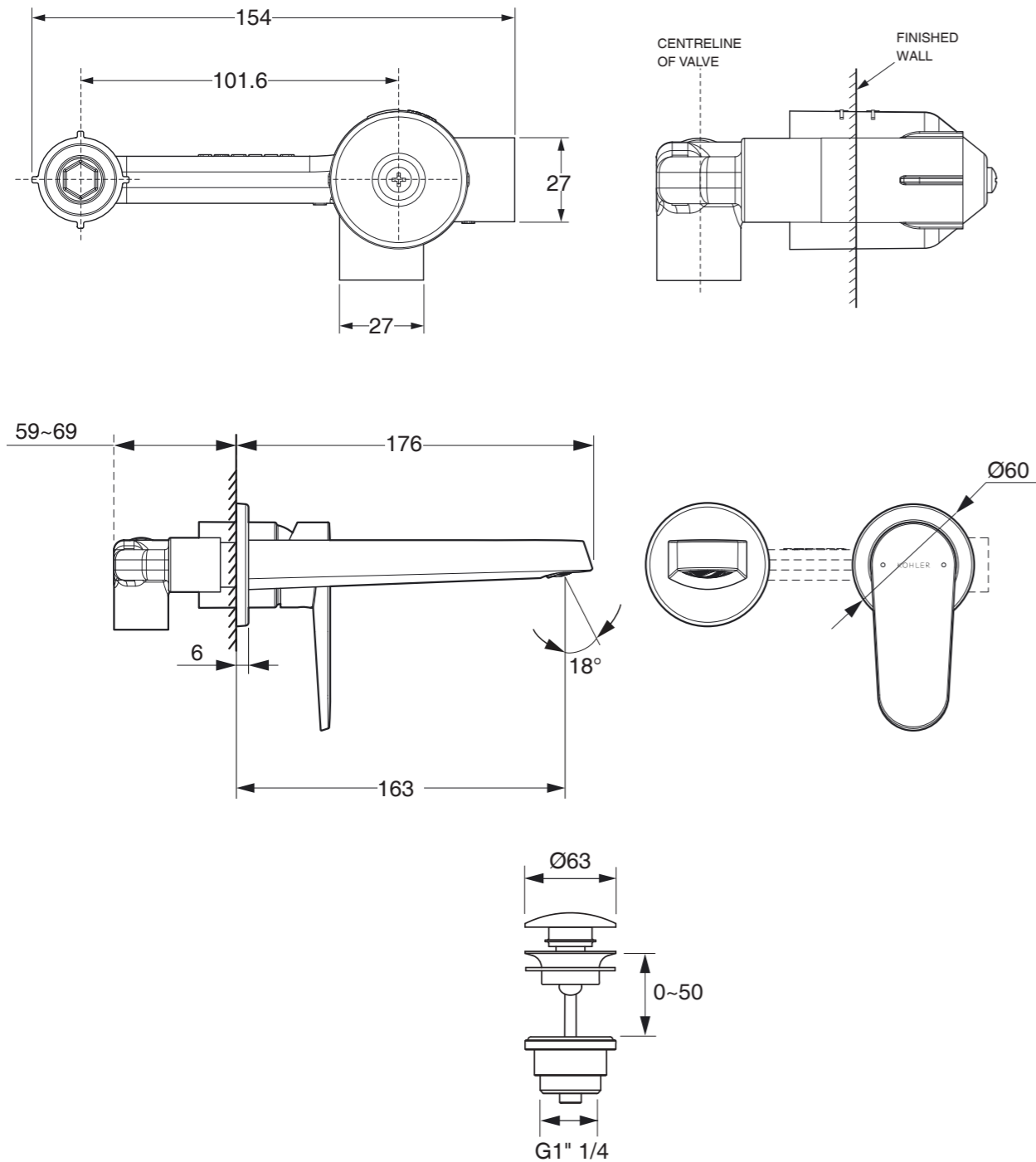
1. Flush the water supply pipe thoroughly to remove debris.
2. If possible, install this faucet before installing the lavatory
3. Inspect the supply tubing for damage and leakage. Replace and maintain as necessary.
4. Observe all local plumbing and building codes.
5. Shut off the water supply to the fitting.

HANDLE OPERATION

Lift handle gently. Turn clockwise for hot water, turn counterclockwise for cold water.

ROUGH-IN DIMENSION

*Dimensions are approximate.
*Unit: mm



Note: The recommended dimension for installation can be adjusted according to user preferences and layout.

LIMITED WARRANTY

Kohler (Thailand) Public Company Limited warrants to the original products, which are purchased from authorized distributors and dealers within Kingdom of Thailand only, to be free of defects in material and workmanship.

Within the below mentioned periods from the date of purchase, Kohler (Thailand) Public Company Limited will at its election, replace or make appropriate adjustment where company's inspection disclose any such defect occurring in normal usage and maintenance but is not responsible for labor charges, removal charges, installation, or other incidental or consequential costs. In no event shall the liability of Kohler (Thailand) Public Company Limited exceed the purchase price of the product. This warranty applies only to Kohler Faucets installed in Thailand.

- Ceramic Valve(leak/drip)
 - **Lifetime Limited Warranty*** for residential use and Five (5) Tears for commercial use
- Finish Five(5) Years
- Fitting Five(5) Years
- Automatic faucet One(1) Year
- Hygiene spray(leak/drip from hygiene spray body) Five(5) Years for selected models only
- Shower Five(5) Years
- Bathroom accessories Five(5) Years

This limited warranty DOES NOT COVER the defect or damage caused by accident, natural disasters such as fire, flood, or earthquake, misuse or abuse of products. Improper care and cleaning will avoid the warranty. Consumers are responsible for the cost of service parts and service fee for such cases.

To ensure continuous product quality and performance, as well as product durability and lifetime, without any damage to the product, consumers should purchase and use only genuine service parts and after-sales services for Kohler (Thailand) Public Company Limited or company's authorized service centers, distributors, or dealers only.

*KOHLER® Faucet Lifetime Limited Warranty

Kohler (Thailand) warrants its faucets manufactured after January 1, 1997, to be leak and drip free during normal residential use for as long as the original consumer purchaser owns his or her home. If the faucet should leak or drip during normal use, Kohler (Thailand) will, free of charge; replace the new cartridge necessary to put the faucet in good working condition.

Kohler (Thailand) also warrants all other aspects of the faucet or accessories ("Faucet")** to be free of defects in material and workmanship during normal residential use for as long as the original consumer purchaser owns his or her home. If a defect is found in normal residential use, Kohler (Thailand) will, at its election, repair, provide a replacement part or product, or make appropriate adjustment. Damage to a product caused by accident, misuse, or abuse is not covered by this warranty. Improper care and cleaning will also void the warranty.

Proof of purchase (original sales receipt) must be provided to Kohler (Thailand) with all warranty claims. Kohler (Thailand) is not responsible for labor charges, installation, or other incidental or consequential costs. In no event shall the liability of Kohler (Thailand) exceed the purchase price of the Faucet.

Important: Never use cleaners containing abrasive cleansers, ammonia, bleach, acids, waxes, alcohol, solvents or other products not recommended for chrome. This will void the warranty.

To obtain warranty service, please contact your dealers or contact the KOHLER (Thailand) Call Center, together with proof of purchase at;

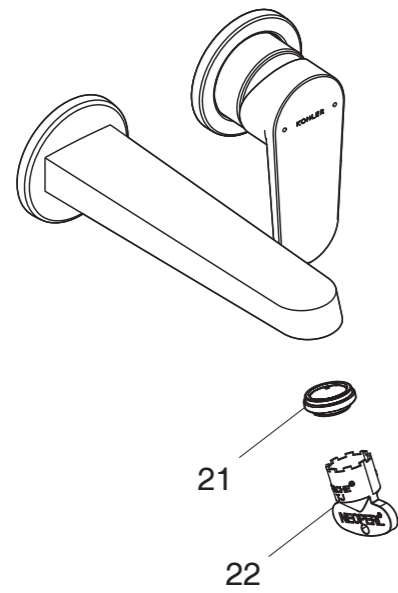
Call Center

KOHLER (Thailand) Public Company Limited
16th Floor, Jasmine City Building, 2 Soi Sukhumvit 23, Sukhumvit Road, Wattana, Bangkok 10110
Tel: 0-2700-9299

Email: callcenterthailand@kohler.com

COPYRIGHT ©2020 BY KOHLER (THAILAND) PUBLIC COMPANY LIMITED

INSTALLATION CHECKOUT



Ensure that all connections are tight. Ensure that the handle is in the off position. Turn on the drain and main water supply, and check for leaks. Repair as needed.

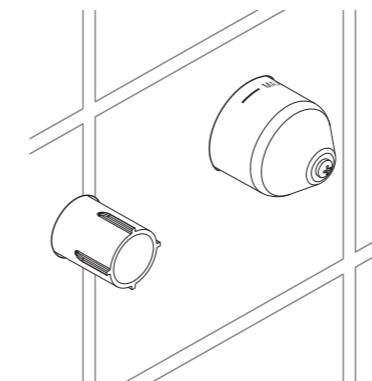
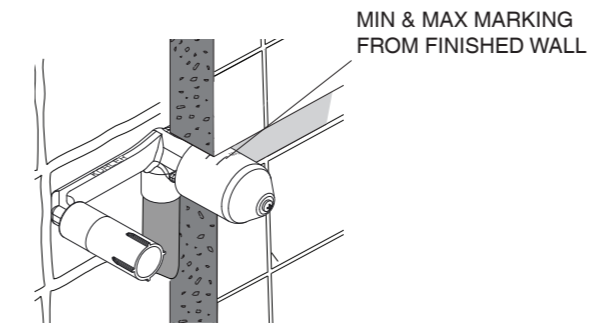
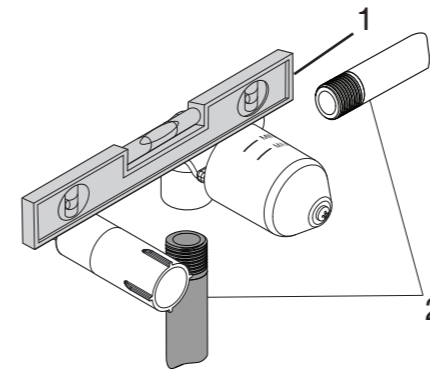
Remove the aerator(21) by key(22). Turn on the faucet. Run hot and cold water through the spout for about one minute to remove any debris. Remove debris from the aerator. Shut off the faucet and reinstall the aerator.

CLEANING INSTRUCTIONS

All Finishes: Clean the finish with mild soap and warm water. Wipe entire surface completely dry with clean soft cloth. Many cleaners may contain chemicals, such as ammonia, chlorine, toilet cleaner etc, which could adversely affect the finish and are not recommended for cleaning.

Do not use abrasive cleaners or solvents on Kohler faucets and fittings.

INSTALLATION



How to Install the Valve

Determine where the valve will be located on the wall. Dig a suitable hole in the wall. Install the valve with the help of level gauge(1), so that it should be perpendicular to wall. Connect the hot(2)and cold(2) water supply pipes to the valve.

Ensure no leakage. Maintain finished wall surface as per Min-Max marking. Finish the valve installation by cementing and tiling the wall.

Figure shows the position of valves when its installation completed.

INSTALLATION

How to Install the Spout

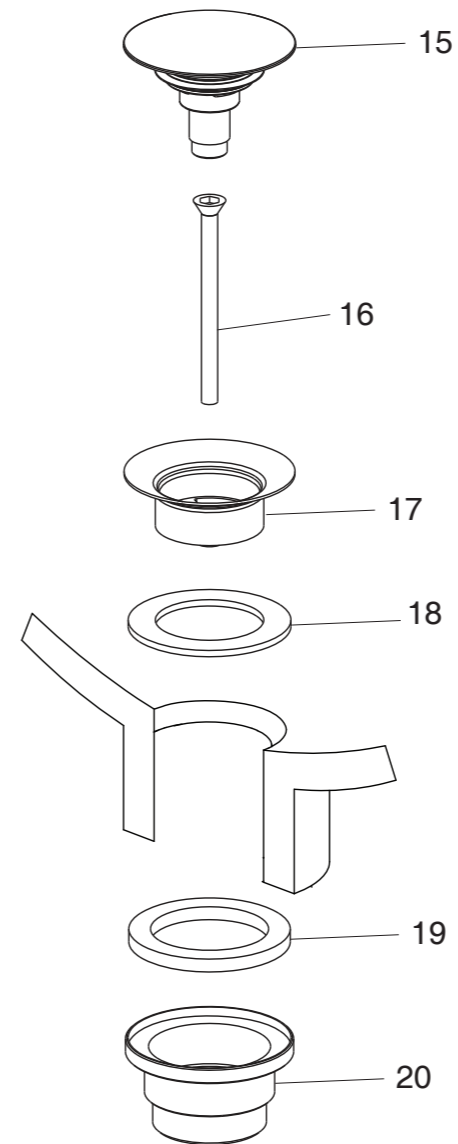
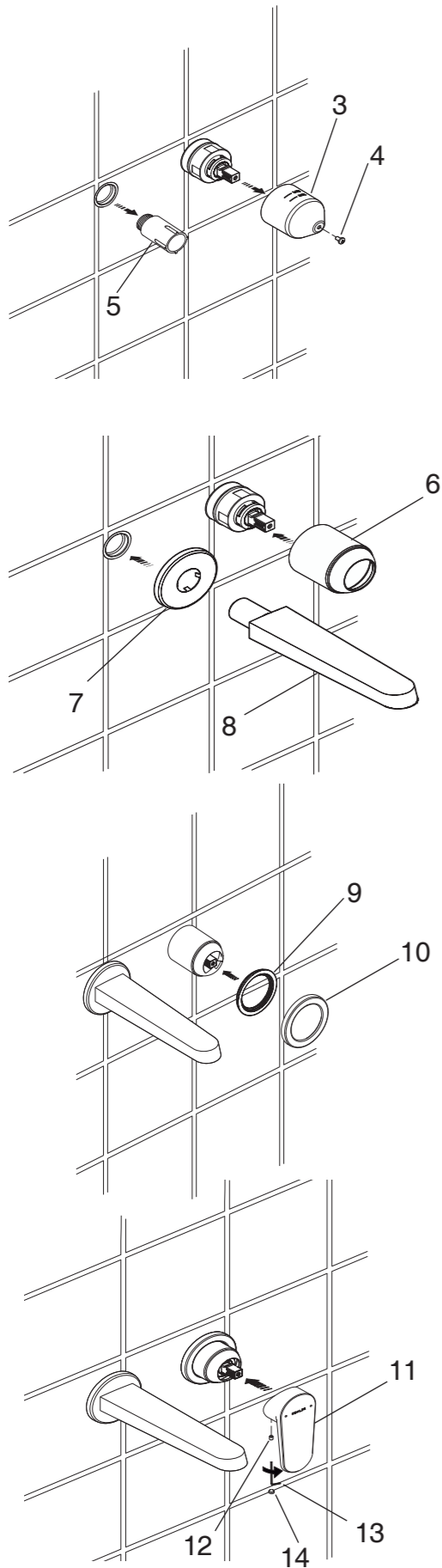
Loosen the screw(4) and remove the plaster guard(3) from the valve. Pull out the plaster(5) from valve outlet.

Install bonnet(6) onto the valve. Insert the escutcheon(7) on the spout(8) and push the spout(8) into the valve outlet.

Put the gasket(9) into the rear groove of the escutcheon bases(10). Mount the escutcheon(10) on the wall.

Install handle(11) over the bonnet and secure using supplied set screw(12). Carefully tighten set screw (12) with the help of allen key (13).

Install cap(14).



How to Install the Drain

Remove the stopper(15) from the top waste(17). Install the top waste with the foam washer(18) into the drain hole. Put the rubber washer(19, tapered side up) into the groove of the bottom waste (20). Align the top waste(17) with the bottom waste(20), screw the stud(16) through the hole of the top waste and bottom waste with hexagon wrench. Then screw the stopper into the top waste.

NOTE: If needed, apply a ring of plumbers putty around the underside of the drain body, instead of using washer(18). Place cover(15) into drain body.