

### WALL HUNG TOILET WITH SEAT K-22753K

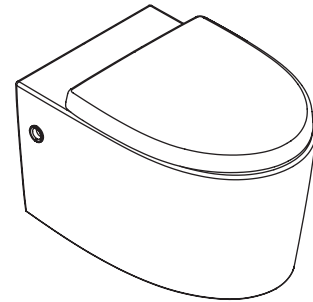
#### Features

- Vitreous china
- European bowl
- Includes quiet close seat
- Wash down flushing system
- 211 mm rough-in for P-trap
- Not included S-trap and P-trap connector
- 565 x 373 x 387 mm

#### Codes/Standards Applicable

Specified model meets or exceeds the following:

- AS 1172
- BS:EN 997
- GB 6952
- PNS 156
- MS 1552
- SNI 03-0797
- SS 574
- TIS 792
- ASME A112.19.2/CSA B45.1



#### Technical Information

Fixture:	
Configuration	Wall hung, european
Water per flush	2.6/4, 3/4.5 or 3/6 liter
Passageway	51 mm
Water area	130 x 100 mm
Water depth from rim	218 mm
Seat post hole centers	150 mm
*Designed to flush with 2.6/4, 3/4.5 or 3/6 lpf water when install with a 2.6/4, 3/4.5 or 3/6 lpf valve.	

Include Components:	
Bowl	K-22754K
Quiet close seat (for K-22753K)	K-75200K

#### Installation Notes

Install this product according to the installation guide.

#### Specified Model

Model	Description	Color/Finished
K-22753K	Parliament Grande wall hung toilet with quiet close seat	0: White

Recommended Accessories		
K-10611A	In-wall tank with cover plate 3/4.5 lpf	
K-10611T	In-wall tank with cover plate 3/4.5 lpf	
K-20006T-PNE	Hydro-Tower 200 pne iwt 2.6/4L	
K-20006K-PNE	Hydro-Tower 200 pne iwt 2.6/4L	
K-20009T-PNE	Hydro-Tower 300 pne iwt 2.6/4L	
K-20009K-PNE	Hydro-Tower 300 pne iwt 2.6/4L	
K-20007T-PNE	Hydro-Tower 200 pne iwt 3/4.5L	
K-20007K-PNE	Hydro-Tower 200 pne iwt 3/4.5L	
K-20010T-PNE	Hydro-Tower 300 pne iwt 3/4.5L	
K-20010K-PNE	Hydro-Tower 300 pne iwt 3/4.5L	
K-20008T-PNE	Hydro-Tower 200 pne iwt 3/6L	
K-20008K-PNE	Hydro-Tower 200 pne iwt 3/6L	
1138552	P-trap connector	

