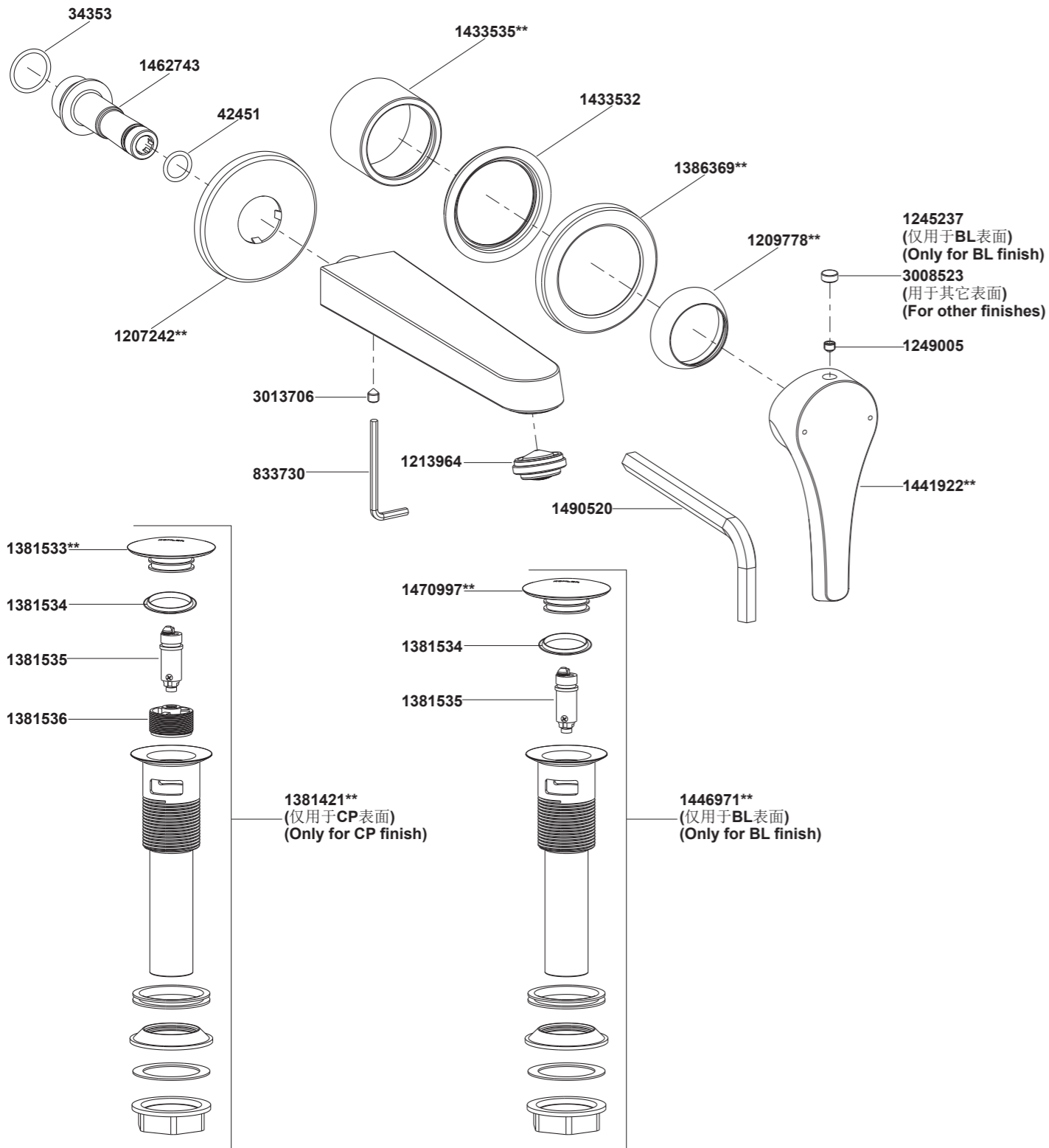


26048T-4 单把墙出水脸盆龙头 不含阀芯 6P



**订购时请说明颜色编号

**Color code must be specified when ordering

26048T-4 单把墙出水脸盆龙头 不含阀芯 6P

安装之前

所有的资料是按最新出版的产品资料编写而成。科勒公司保留任何时候不经通知即可改变产品特性、包装或产品可供类型的权利。

说明书包括重要的安装、保养及清洁方面的内容，请把这些资料交给用户阅读。

注意事项：

1. 一定要先彻底冲洗供水管以清除管道中的杂质。
2. 检查供水管有无损坏和漏水。如需要，进行替换和维修。
3. 遵守当地管路安装条例。
4. 本产品需与单把墙出水脸盆龙头阀芯26088T-NA搭配使用。
5. 确保安装此产品之前，单把墙出水脸盆龙头阀芯26088T-NA已安装完毕。

BEFORE YOU BEGIN

All information is based on the latest product information available at the time of publication. Kohler Co. reserves the right to make changes in product characteristics, packaging, or availability at any time without notice.

Please leave these instructions for the consumer. They contain important information.

NOTES:

1. Flush the water supply pipes thoroughly to remove debris.
2. Inspect the supply tubing for damage and leakage. Replace and maintain as necessary.
3. Observe local plumbing codes.
4. This product should match with the wall mount lavatory faucet valve 26088T-NA.
5. Install the wall mount lavatory faucet valve 26088T-NA before installing this product.

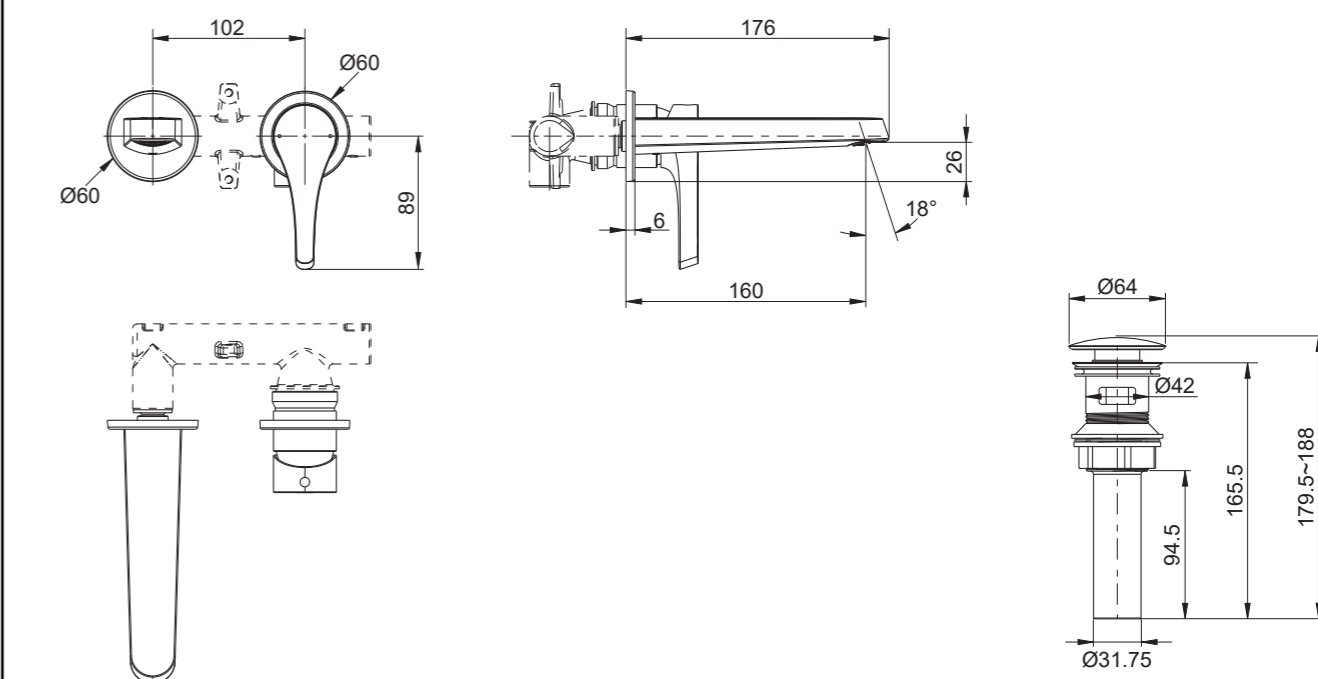
使用说明

轻轻提起把手，顺时针旋转把手为热水，逆时针旋转把手为冷水。

HANDLE OPERATION

Lift the handle gently. Turn clockwise for hot water, turn counter-clockwise for cold water.

安装尺寸

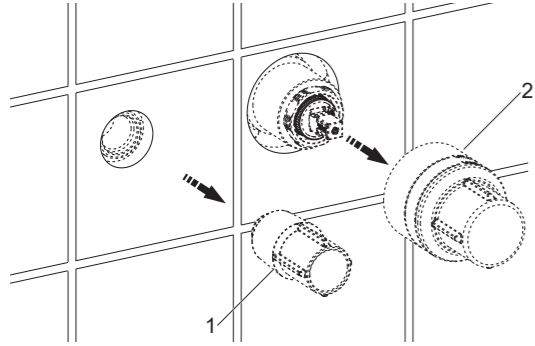


安装步骤

如何安装出水口

墙壁装修好后，去掉阀芯26088T-NA上的保护套(1, 2)。

用8mm六角扳手(3)将接头(4)旋紧到阀体上。用2.5mm六角扳手(5)旋松出水口(6)的底部螺钉(7)。将出水口出口朝下安装到接头(4)上，使其紧贴墙面。用六角扳手锁紧螺钉到出水口底部以固定出水口。**注意：**不要划伤接头上的O型圈(8)。

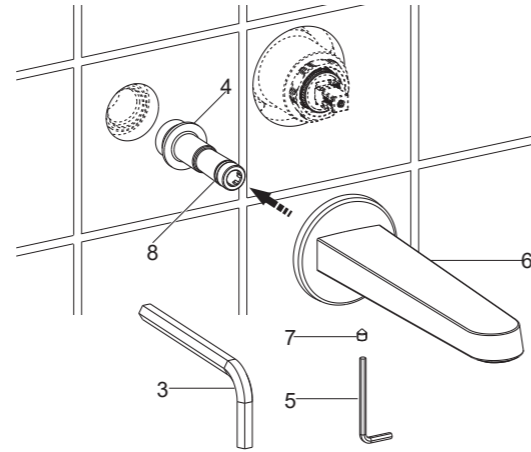


INSTALLATION

How to Install the Spout

Remove the protectors(1, 2) from the valve 26088T-NA after the wall is finished.

Screw the connector(4) into the valve body with 8mm hex wrench(3). Loosen the screw(7) in the spout(6) bottom with 2.5mm hex wrench(5). Install the spout onto the connector(4) with its outlet downwards until it is against the finished wall. Tighten the screw with hex wrench to secure the spout. **NOTE:** Don't damage the O-ring(8) on the connector.

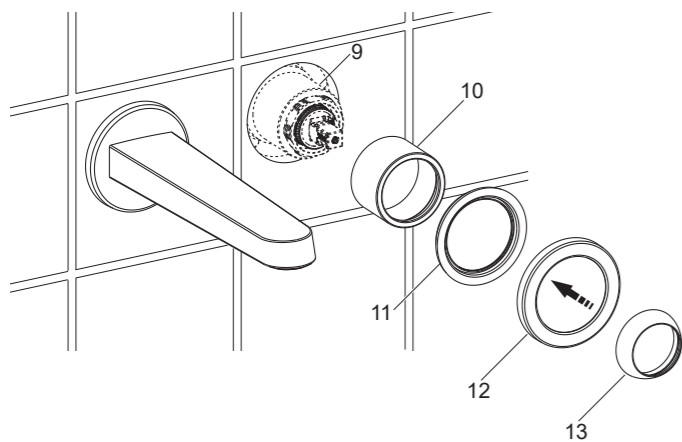


如何安装把手

确保阀芯(9)处于关闭状态。将套筒(10)安装到阀芯上。将垫片(11)嵌入到装饰罩(12)背面凹槽中，接着将带有垫片的装饰罩套在套筒上直至与墙面接触。将阀帽(13)旋紧到阀芯上。

用2.5mm六角扳手(5)旋松把手(14)的螺钉(15)。将把手朝下安装到阀柄(16)上。用六角扳手锁紧螺钉，塞上塞扣(17)。

阀芯处于关闭位置时，出水口和把手安装完毕状态如安装结果检查图所示。

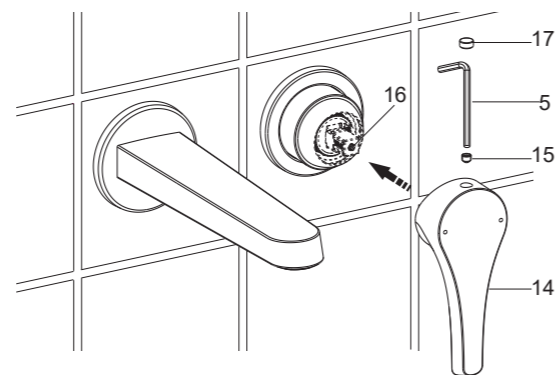


How to Install the Handle

Ensure that the valve(9) is closed. Install the sleeve (10) onto the valve. Put the washer(11) into the groove of the escutcheon(12) backside. Slide the escutcheon onto the sleeve until it is against the finished wall. Screw the bonnet(13) onto the valve.

Loosen the screw(15) in the handle(14) with 2.5mm hex wrench(5). Install the handle onto the valve stem(16). Tighten the screw with the hex wrench and press the plug(17) to the hole.

When the installation is completed, the correct position of the spout and handle with the valve closed is shown in the installation checkout.

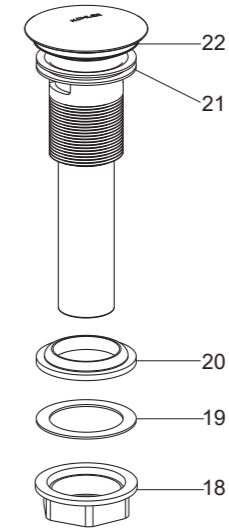


如何安装排水器

把锁紧螺母(18)、塑料垫片(19)、橡胶垫圈(20)从排水本体上依次取下。把排水本体带橡胶垫片(21)从脸盆上部孔插入，再依次将橡胶垫圈(小面朝上)、塑料垫片和锁紧螺母从排水本体底部装入。将锁紧螺母锁紧。

注意：在锁紧螺母拧紧后，不可调整排水本体的位置，否则会破坏油灰密封或密封剂密封。

注意：如果需要，可直接在排水器法兰(22)底面沿周围涂一圈密封油灰或其他密封剂，而不使用橡胶垫片(21)。



How to Install the Drain

Remove the locknut(18), plastic washer (19) and rubber gasket(20) from the drain body. Insert the drain body with rubber washer(21) into the lavatory. Put the rubber gasket (Tapered side up), plastic washer and locknut back to the drain body in turn. Tighten the locknut.

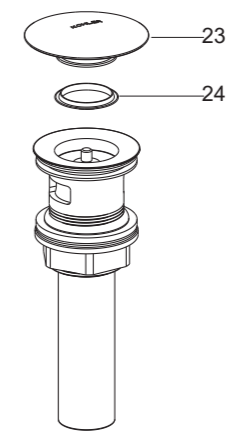
NOTE: Do not reposition the drain after the locknut is tightened, or you may break the putty or sealant seal.

NOTE: If needed, apply a ring of plumbers putty or other sealants around the underside of the drain flange(22), instead of using rubber washer(21).

如何清理排水器

逆时针旋下止水塞(23)，取出并清理止水垫(24)。

重新装回止水垫和止水塞。



How to Clean the Drain

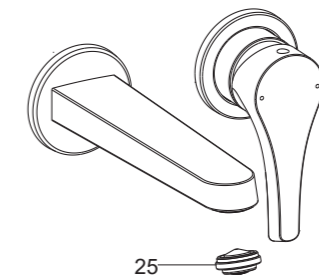
Turn counter-clockwise to unscrew the stopper(23). Remove and clear the washer(24).

Reinstall the washer and stopper.

安装结果检查

检查并确保所有衔接螺母都已拧紧，确保把手在关闭位置。打开排水器和主要供水源，检查是否有漏水。如有漏水，修理之。

用硬币拆下起泡器(25)。打开水龙头冷热水，让水流出约一分钟以清除杂质，检查渗漏。冲洗起泡器，关闭水龙头，重新装回起泡器。



INSTALLATION CHECKOUT

Ensure that all connections are tighten. Ensure the handle is in the off position. Turn on the drain and main water supply, and check for leaks. Repair as needed.

Remove the aerator(25) with coin. Turn on the faucet. Run hot and cold water through the spout for about one minute to remove any debris. Check for leaks. Remove any debris from the aerator. Shut off the faucet. Reinstall the aerator.

清洗说明

适用于所有加工处理过的表面：以中性肥皂水清洗镀层表面，再以干净的软布彻底擦干整个表面，许多清洁剂，比如氨水、去污粉及洁厕灵等，会对电镀表面造成伤害，切忌使用。

有磨损性的清洁用具或清洁剂也不可适用于科勒牌的水龙头及其配件上。

CLEANING INSTRUCTIONS

All Finishes: Clean the finish with mild soap and warm water. Wipe entire surface completely dry with clean soft cloth. Many cleaners may contain chemicals, such as ammonia, chlorine, toilet cleaner etc. which could adversely affect the finish and are not recommended for cleaning.

Do not use abrasive cleaners or solvents on Kohler faucets and fittings.