

DUAL HANDLE WALL MOUNT LAVATORY FAUCET K-73067T

Features

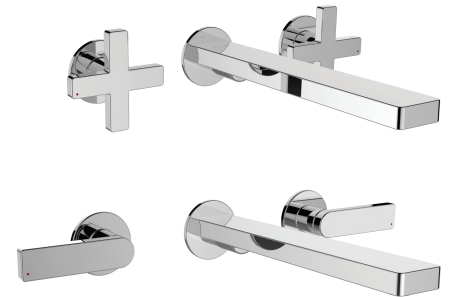
- Brass construction
- Leak-free ceramic disc valve with lifetime warranty
- Durable KOHLER finishes resist corrosion and tarnishing
- Directionally adjustable, laminar-flow aerator
- Spout reach 216 mm
- Cross or lever handles
- Includes click drain

Codes/Standards Applicable

- GB 18145-2014
- EN 200-2008
- EN 817-2008
- TIS 2067-2552

Installation Notes

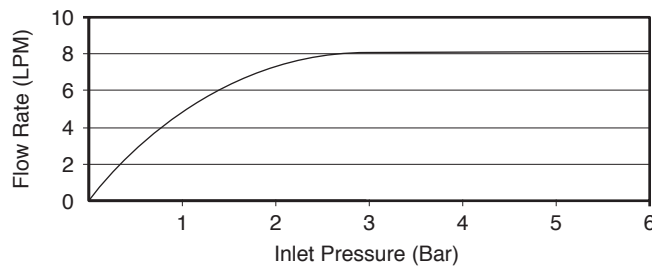
Install this product according to the installation guide.



Specified Model

Model	Description	Color/Finished		
K-73067T-3	Composed Dual Handle Wall Mount Lavatory Faucet - Cross Handles	<input type="checkbox"/> Polished Chrome (CP)	<input type="checkbox"/> French Gold (AF)	<input type="checkbox"/> Titanium (TT)
K-73067T-4	Composed Dual Handle Wall Mount Lavatory Faucet - Lever Handles	<input type="checkbox"/> Polished Chrome (CP)	<input type="checkbox"/> French Gold (AF)	<input type="checkbox"/> Titanium (TT)

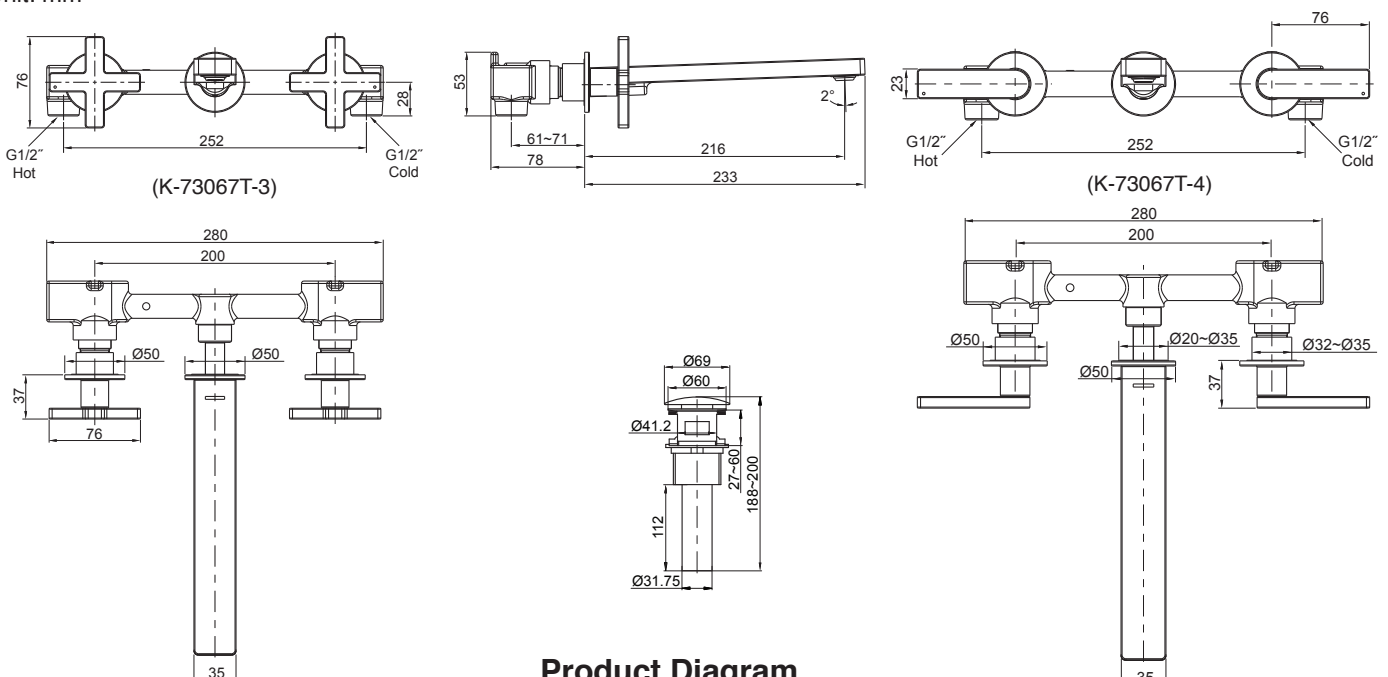
For a full range of color finishes in your market please contact your local Kohler representative.



Flow Curve

Note: Flow rates are approximate. (1 gallon = 3.785 liters, 1 bar = 14.5 psi)

Dimensions are approximate.
Unit: mm



Product Diagram