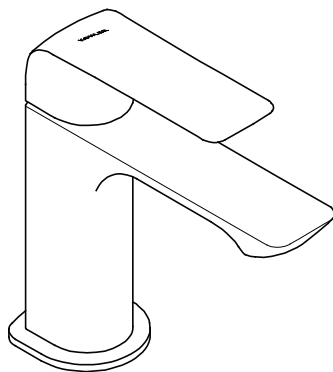
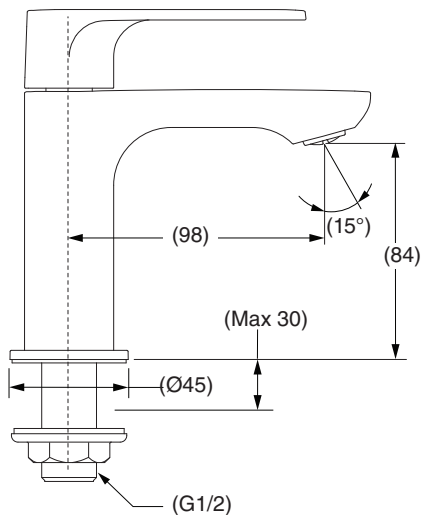
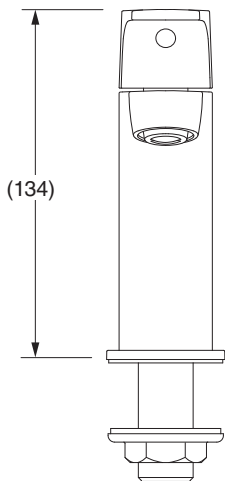


27484IN-4
FORE TRI PILLAR TAP

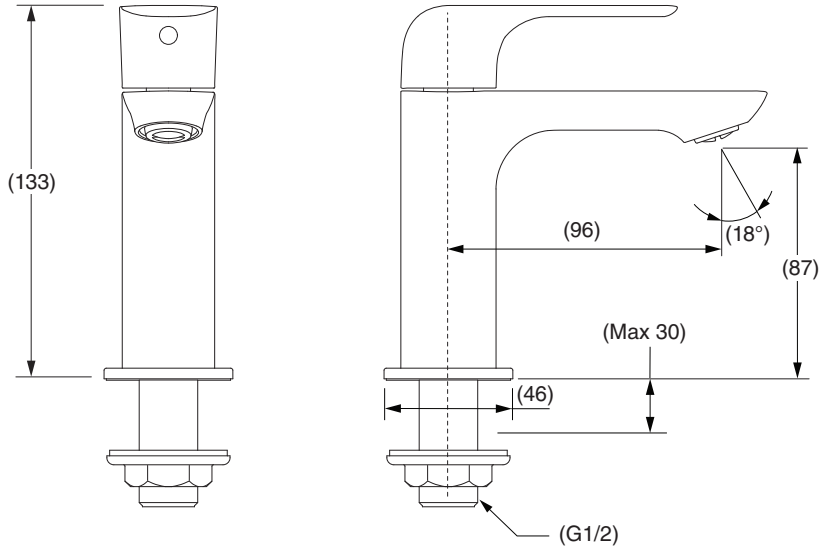


27485IN-4
FORE LINE PILLAR TAP

ROUGH-IN DIMENSIONS (in mm)



27484IN-4



27485IN-4

PRESSURE AND HOT INLET TEMPERATURE



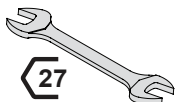
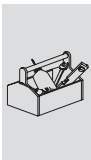
P (Bar) $0.5 < 3 < 5.5$



T (°C) < 65

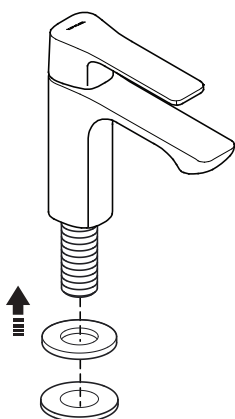


TOOLS REQUIRED

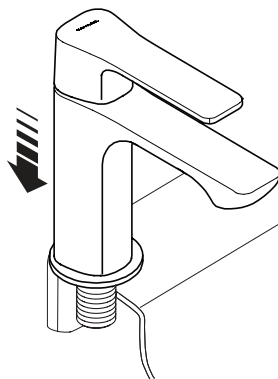


INSTALLATION INSTRUCTIONS

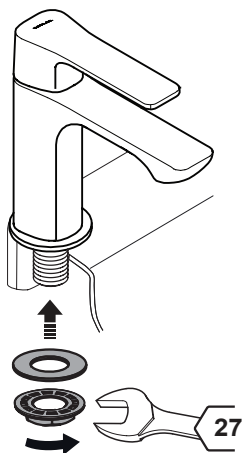
1



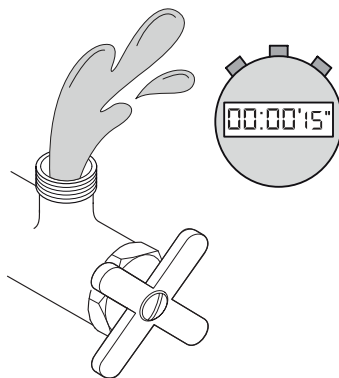
2



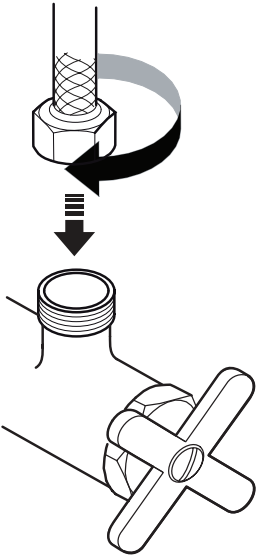
3



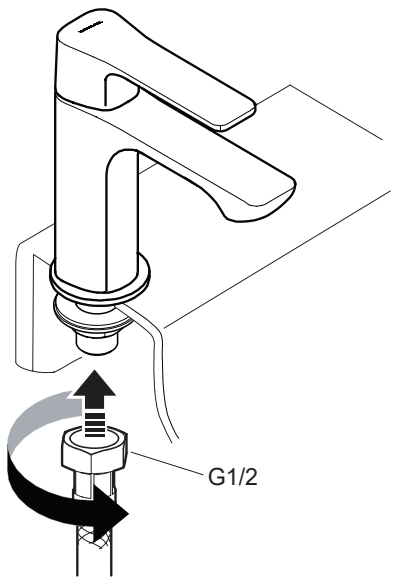
4



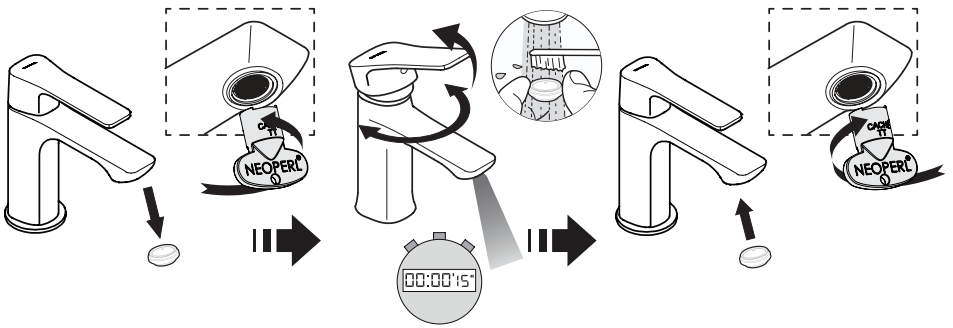
5



6



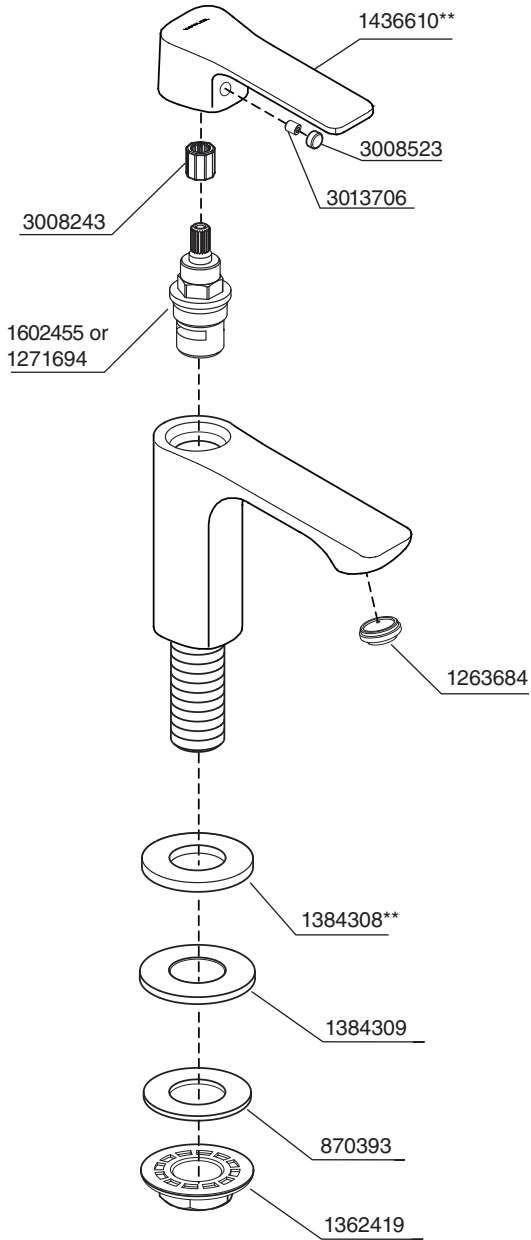
AERATOR CLEANING AND SERVICING



Ensure there is no leakage from the sides of aerator after tightening.

CLEANING INSTRUCTIONS

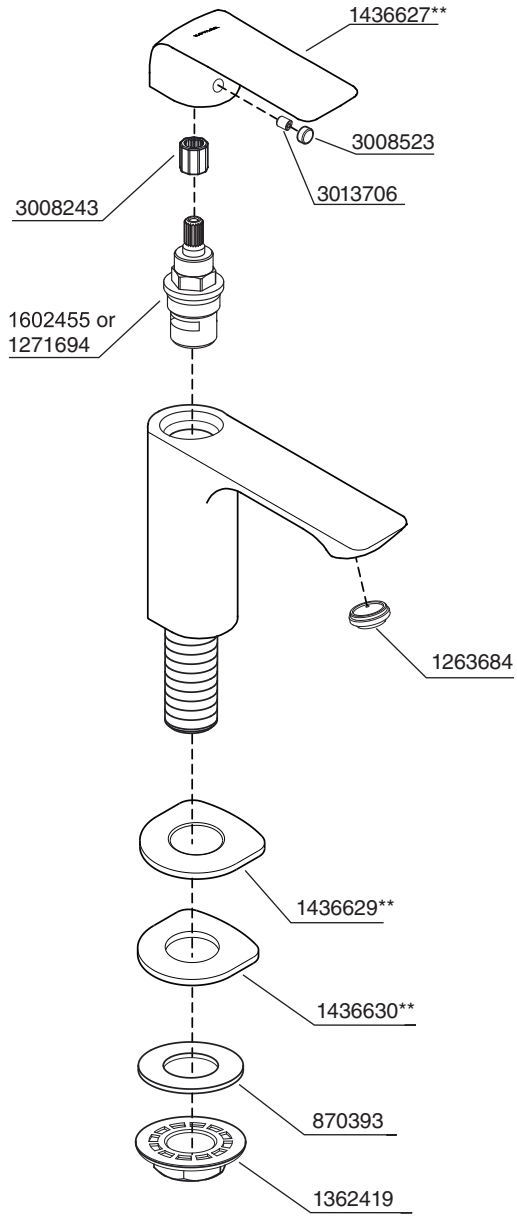
SERVICE PARTS



27484IN-4**

** Finish code must be specified when ordering.

SERVICE PARTS



27485IN-4**

** Finish code must be specified when ordering.

