



Middleton®

25" top-mount single-bowl kitchen sink
14631-3

Features

- Three faucet holes
- 6" (152 mm) depth
- 3-5/8" (92 mm) drain opening
- Stainless steel with luster finish

Material

- Premium 20-gauge stainless steel

Installation

- Top-mount

Recommended Products/Accessories

7400 Stainless Steel Sink Drain and Strainer
K-23726 Drain treatment
K-23729 Stainless steel cleaner

Included Components

1279210 12 Count Installation Clips



ADA

Codes/Standards

ASME A112.19.3/CSA B45.4
ADA
ICC/ANSI A117.1

STERLING® Stainless Steel Sinks Lifetime Limited Warranty

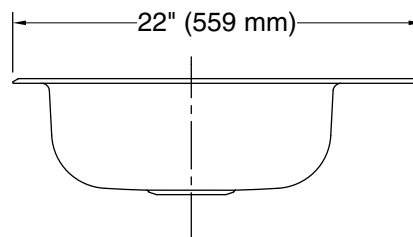
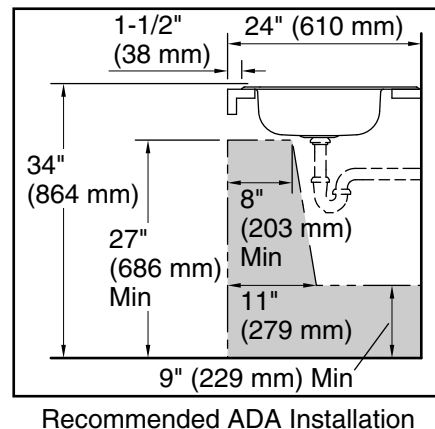
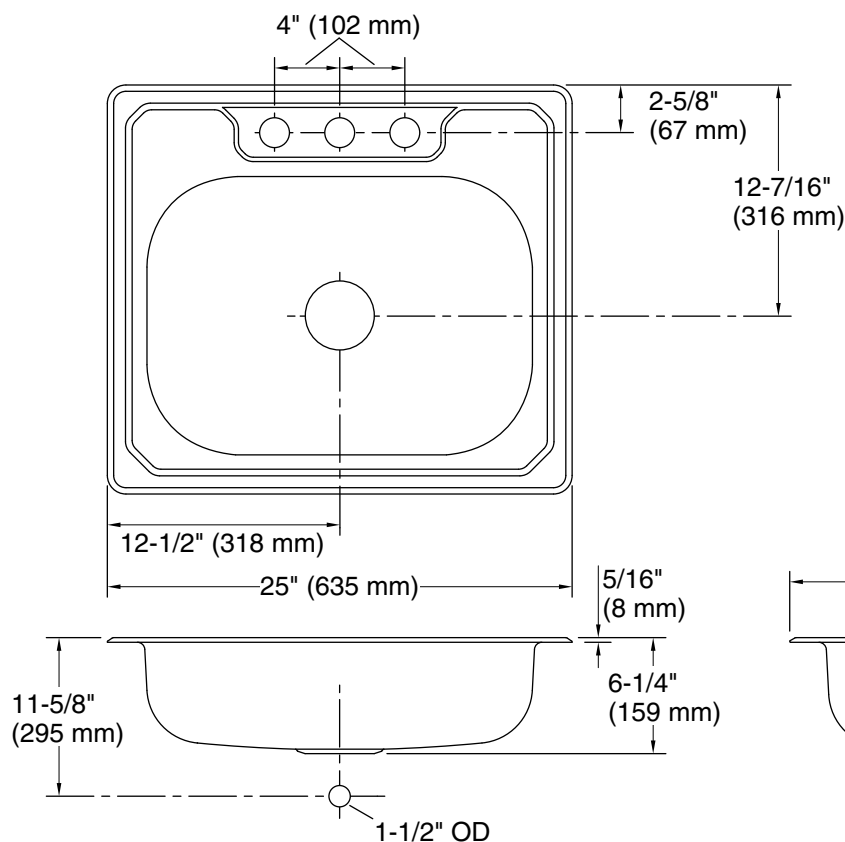
See website for detailed warranty information.

1-800-STERLING (1-800-783-7546)

Kohler Co. reserves the right to make revisions without notice to product specifications.

For the most current Specification Sheet, go to www.sterlingplumbing.com.

2-17-2026 20:17 - US/CA



Technical Information

All product dimensions are nominal.

- Basin configuration: Single Bowl
- Cutout: Top-mount, 24-1/2" x 21-1/2" (622 mm x 546 mm) with 11/16" (18 mm) radius corners
- Bowl area (Only): Length: 25" (635 mm)
Width: 22" (559 mm)
Bowl depth: 6" (152 mm)
Water depth: 6" (152 mm)
- Number of deck holes: 3
- Faucet hole(s): 1-7/16" (37 mm)
- Drain hole: 3-5/8" (92 mm)

Notes

- Install this product according to the installation instructions.
- Measure your actual product for roughing-in details.
- ADA compliant when installed to the specific requirements of these regulations.