

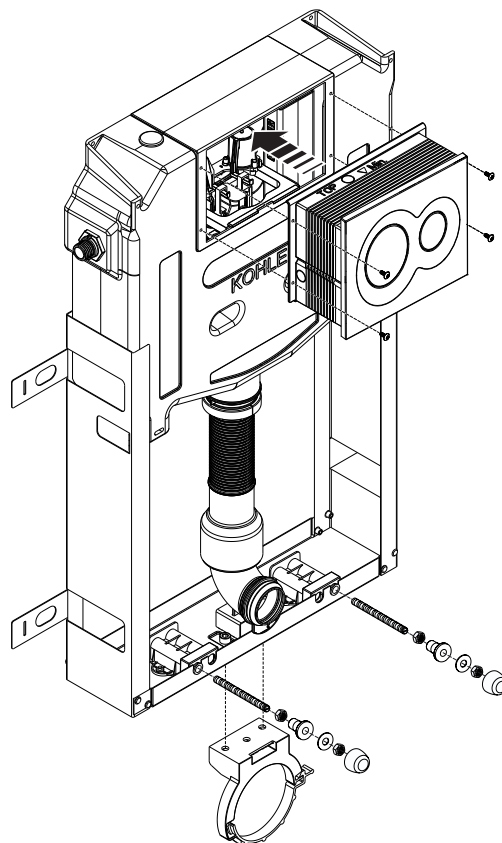
BEFORE YOU BEGIN

- Please read these instructions carefully to familiarize yourself with the required tools, materials, and installation sequences. Follow the sections that pertain to your particular installation. This will help you avoid costly mistakes. In addition to proper installation, read all operating and safety instructions.
- All information in these instructions is based upon the latest product information available at the time of publication. Kohler India reserves the right to make changes in product characteristics, packaging or availability at any time without notice.
- These instructions contain important care and cleaning- please leave instructions for the consumer.
- In case product is damaged when unpacked for first time, **please do not install the product, and immediately report to customer care.**

NOTES

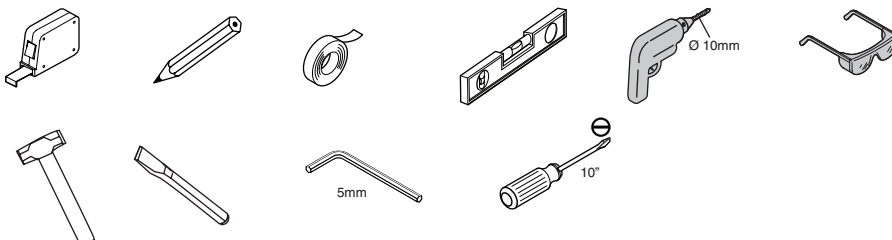
- Observe all local plumbing and building codes.
- Carefully inspect the new fixture for any sign of damage.

PACK CONTENTS

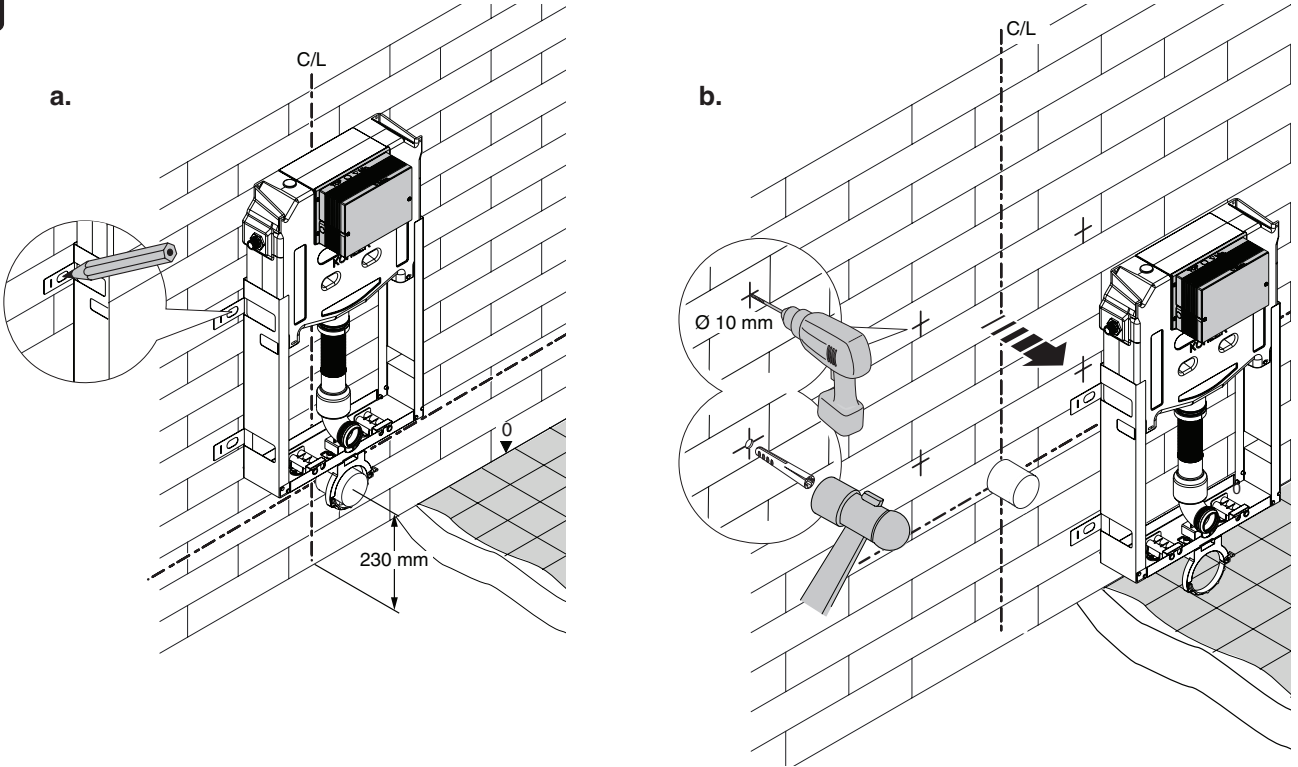


25352IN-M/P-NA

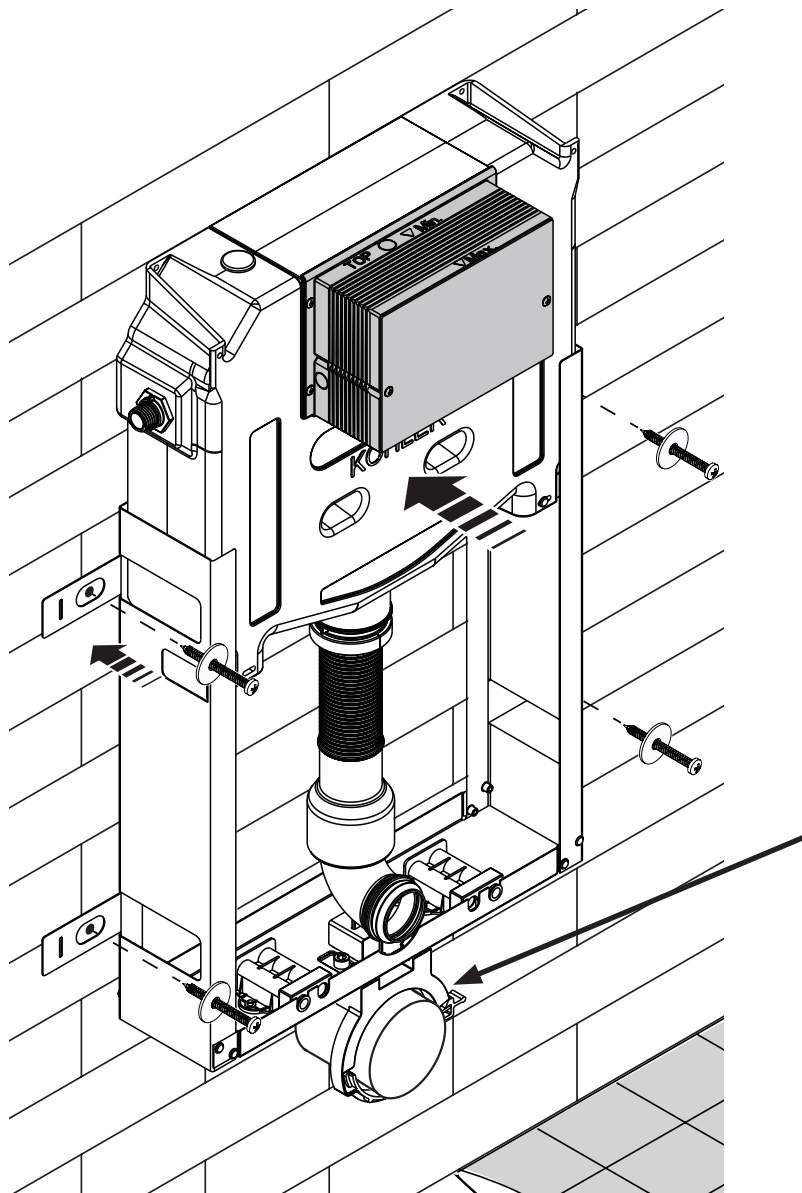
TOOLS REQUIRED



2

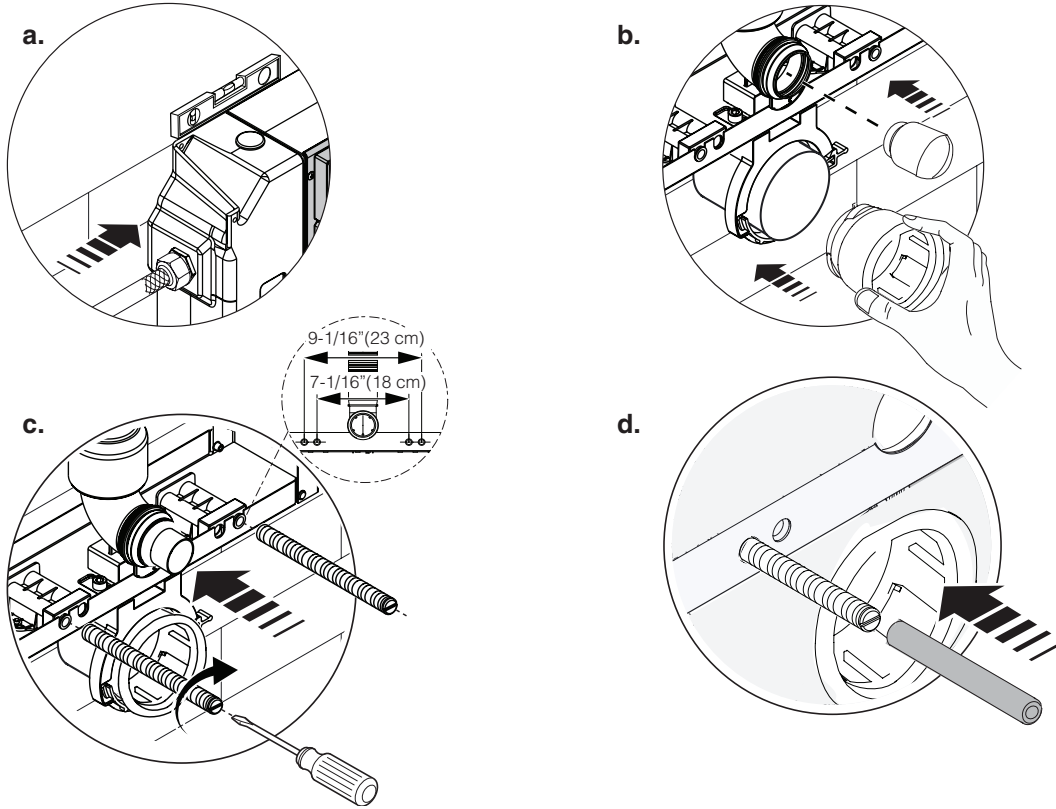


3

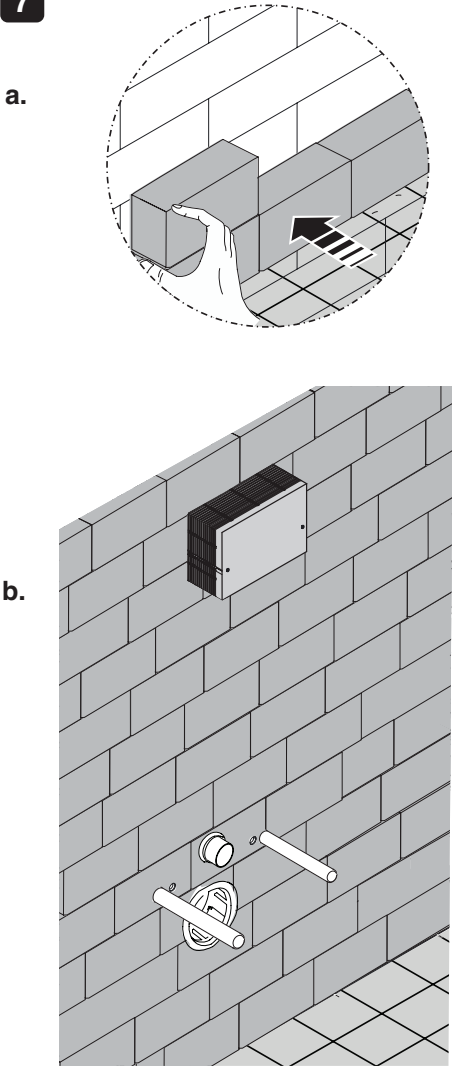


Tighten the strap around the drain pipe.

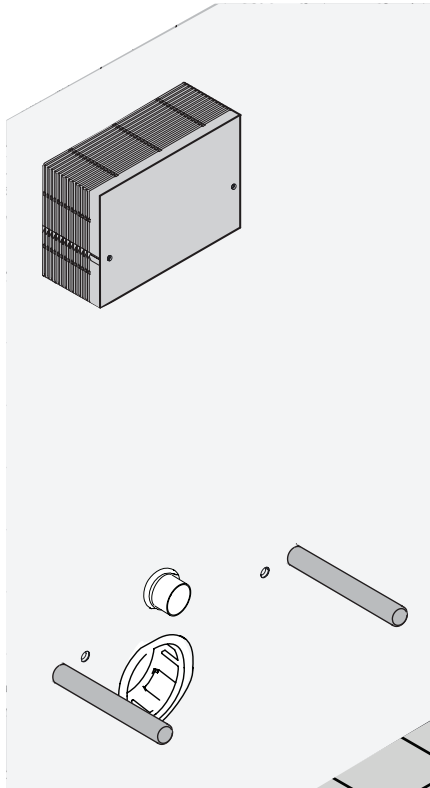
6 Make sure the frame is leveled properly.



7

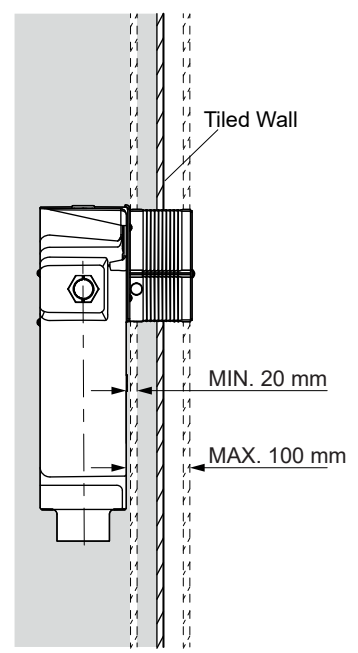


8



* For toilet installation refer manufacturer's instructions.

9

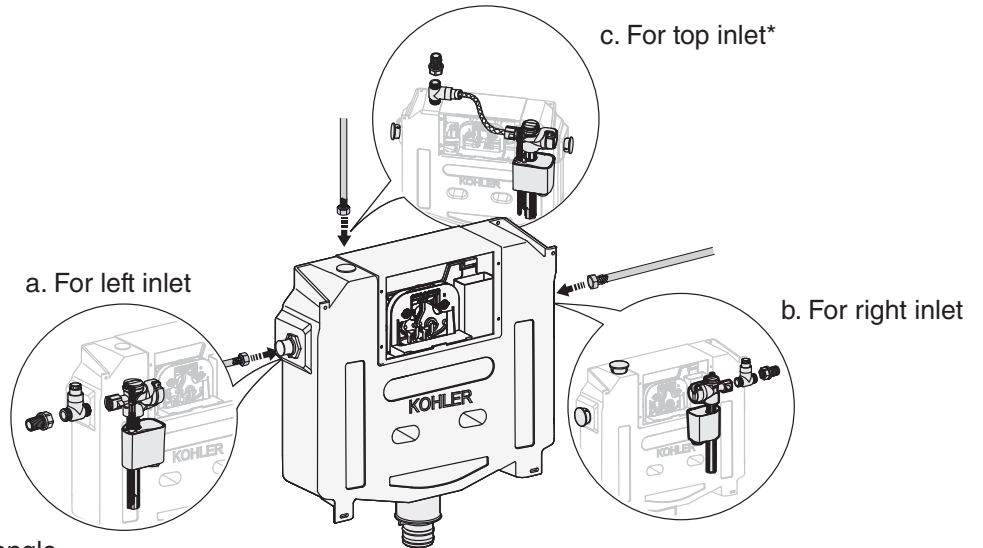


CISTERN OPERATION & MAINTENANCE

1

Ensure tight assembly among parts shown below for leak-proof connection

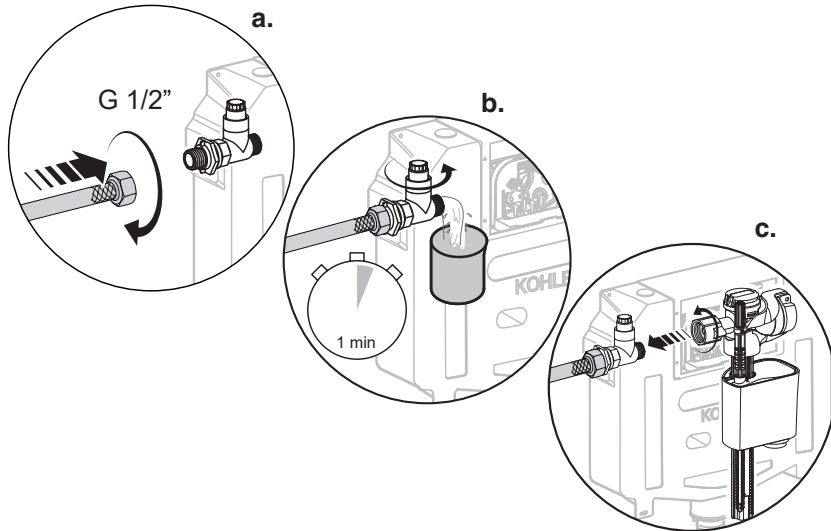
IMPORTANT: During assembly, keep the Valve straight for stable water-level inside cistern. Ensure that Valve is not tilted at angle.



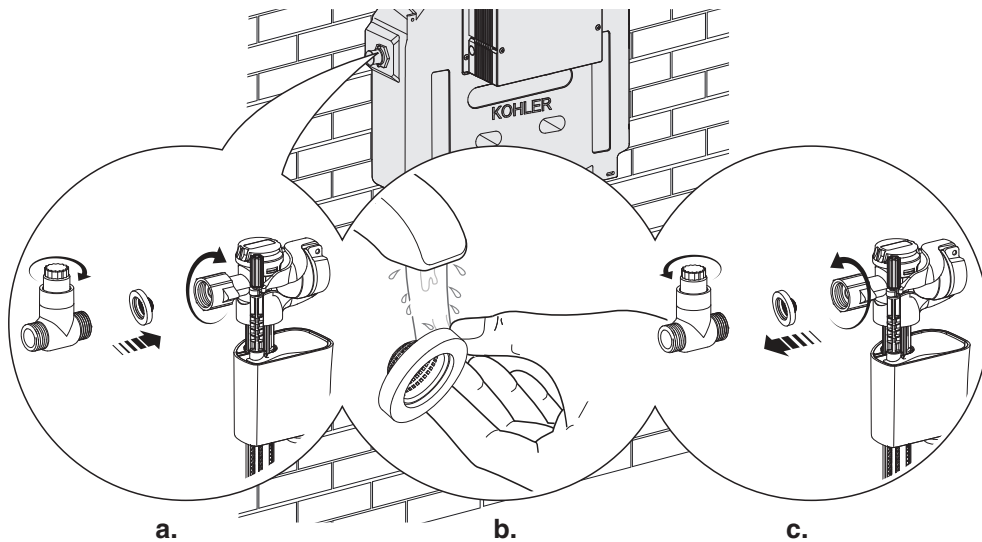
a. or b. or c.

* For top inlet, order accessory part 1476813.

2



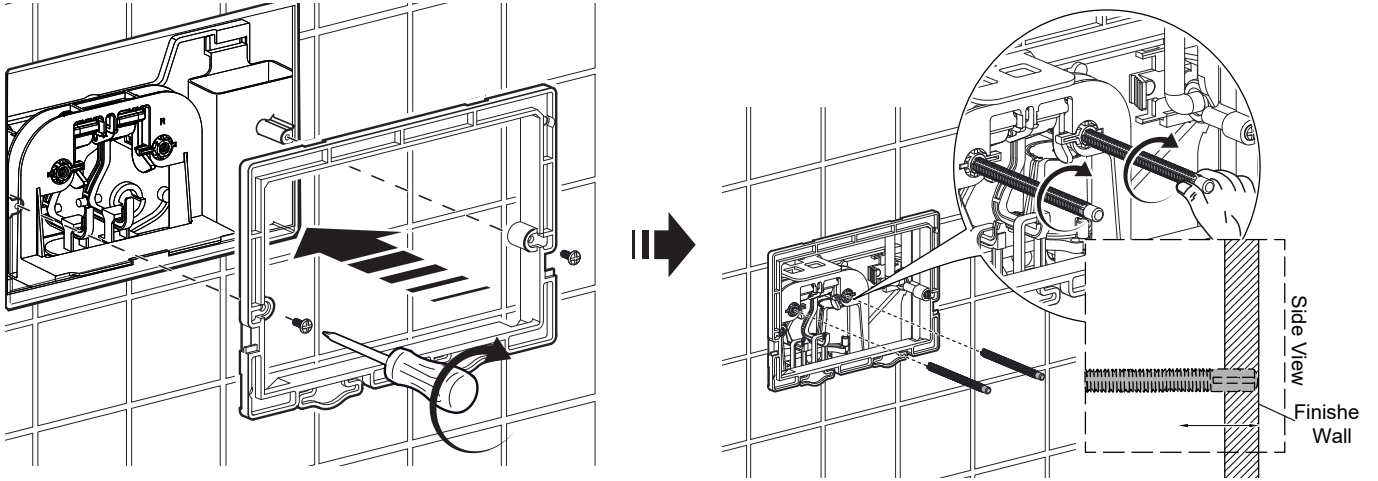
3



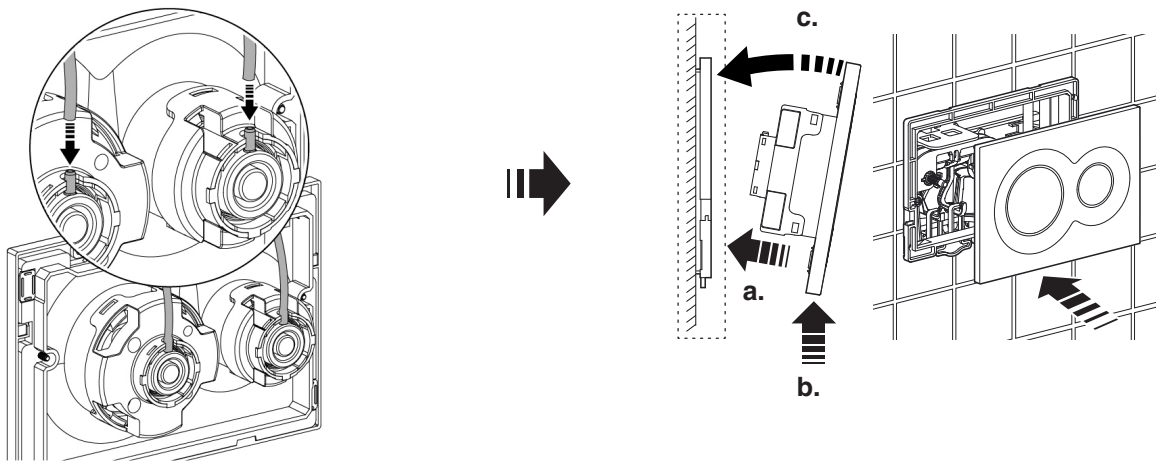
For future maintenance

4

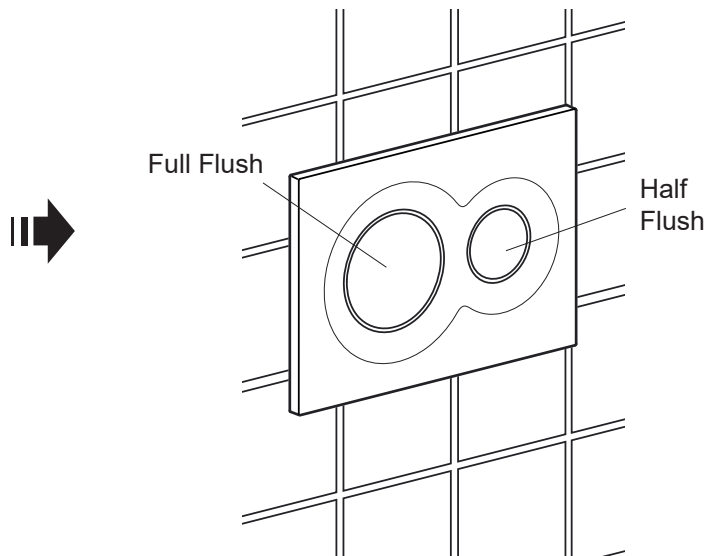
Install Push Bars (For Mechanical)



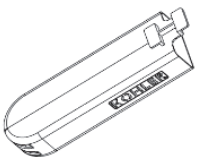
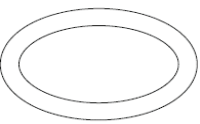
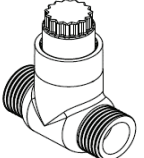





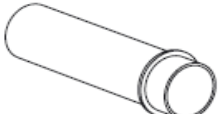
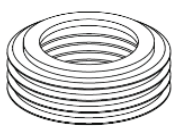
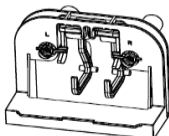
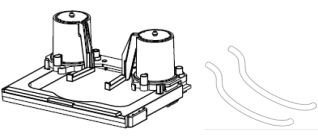
Connect Air Pipes (For Pneumatic)



Operation



SPARE PARTS

| | | | |
|--|---|---|---|
| <p>SCREEN FILTER Code: 1466722 Qty./set= 1</p>  | <p>TABLET CONTAINER Code: 1278882 Qty./set= 1</p>  | <p>BIG O-RING Code: 1419325 Qty./set= 2</p>  | <p>SHUT-OFF VALVE ASSY. Code: 1422046 Qty./set= 1</p>  |
| <p>FILL VALVE (3L,6L) Code: 1419453 Qty./set= 1</p>  | <p>FILL VALVE DIAPHRAGM Code: 1476775 Qty./set= 1</p>  | <p>FLUSH VALVE LOCK STRIP Code: 1462016 Qty./set= 1</p>  | <p>FLUSH VALVE ASSEMBLY MECHANICAL Code: 1462046 Qty./set= 1</p>  |
| <p>FLUSH VALVE ASSEMBLY PNEUMATIC Code: 1462047 Qty./set= 1</p>  | <p>FLUSH VALVE DIAPHRAGM Code: 1462008 Qty./set= 1</p>  | <p>FLUSH VALVE SEAT ASSEMBLY (SEAT+GASKET) Code: 1476776 Qty./set= 1</p>  | <p>FLUSH VALVE SEAT GASKET Code: 1419456 Qty./set= 1</p>  |
| <p>FLUSH VALVE LINK ASSEMBLY - MECHANICAL: Code: 1476778 Qty./set= 1</p>  | <p>FLUSH VALVE LINK ASSEMBLY - PNEUMATIC: Code: 1476779 Qty./set= 1</p>  | <p>SQUARE MASK ASSEMBLY Code: 1476785 Qty./set= 1</p>  | <p>LOGO CAP PLASTIC Code: 1228901-0 Qty./set= 1</p>  |
| <p>SEAL RUBBER Code: 1278590 Qty./set= 1</p>  | <p>TANK OUTLET PIPE Code: 1290889 Qty./set= 1</p>  | <p>GASKET TANK OUTLET Code: 1290891 Qty./set= 1</p>  | <p>INSTALLATION KIT ASSEMBLY Code: 1278572 Qty./set= 1</p>  |
| <p>FLUSH AIR TUBES Code: 1424731 Qty./set= 1</p>  | <p>ACTUATION ASSEMBLY-MECHANICAL Code: 1419435 Qty./set= 1</p>  | <p>PUSH BAR (8") Code: 1292205 Qty./set= 2</p>  | <p>AIR ACTUATION ASSEMBLY Code: 1419436 Qty./set= 1</p>  |
| <p>WC MOUNTING KIT Code: 1257119 Qty./set= 1</p>  | | | |

KOHLER® Ten-Year Limited Warranty for Residential and Five-Year for Commercial

See website for detailed warranty information.

TOLL FREE: 1800-103-2244

Kohler Co. reserves the right to make revisions without notice to product specifications.